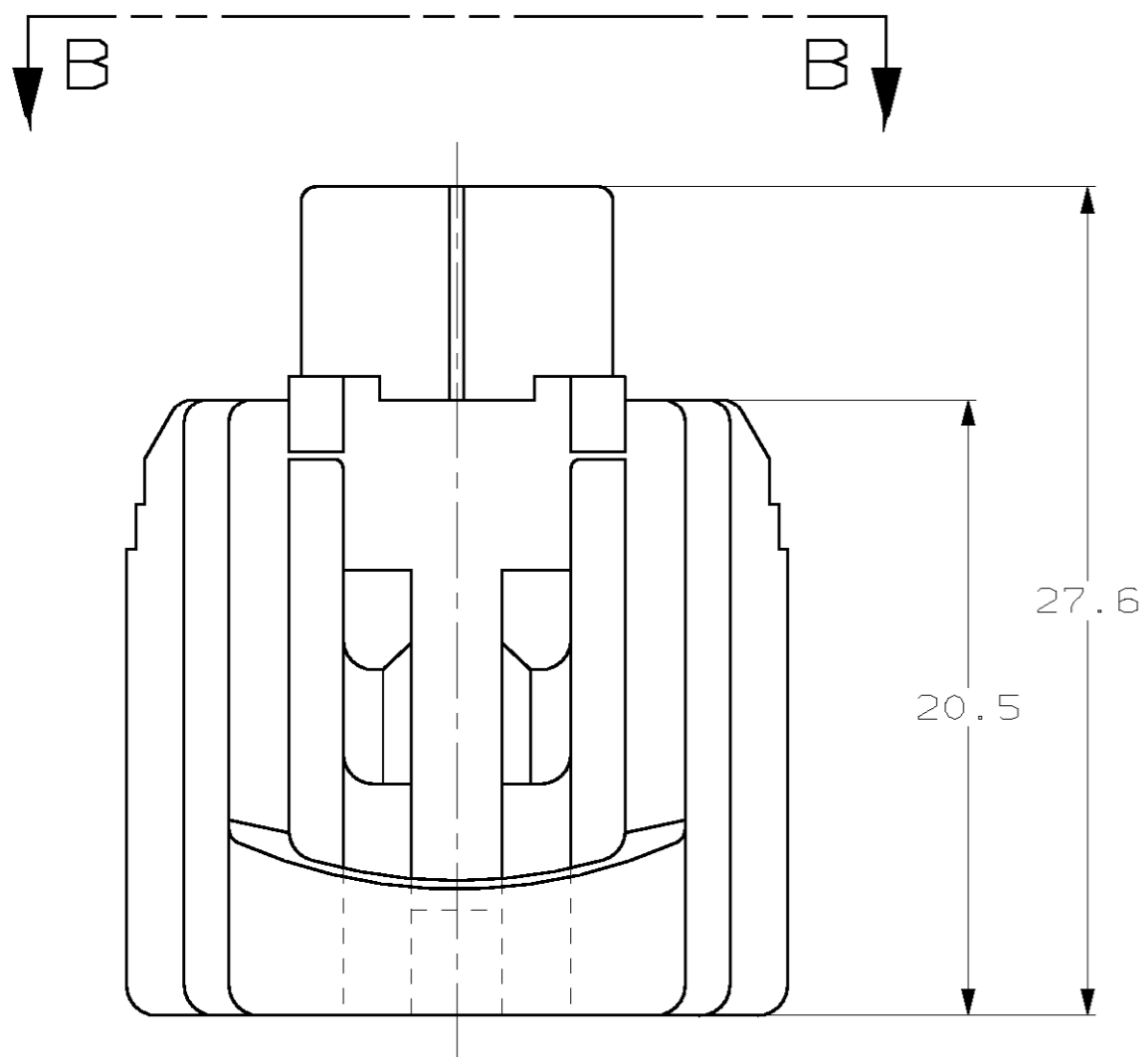


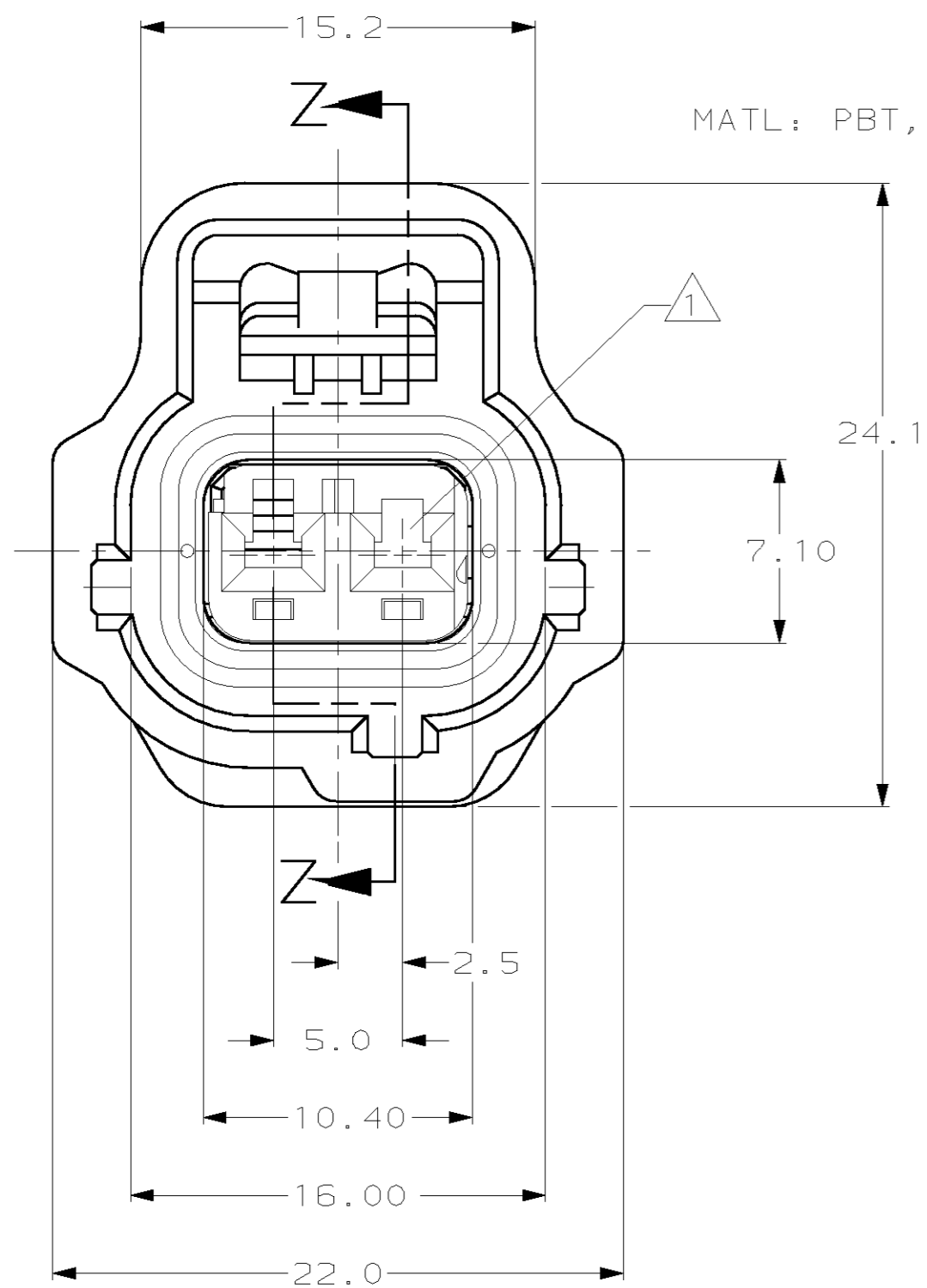
THIS DRAWING IS UNPUBLISHED. RELEASED FOR PUBLICATION .19  
 © COPYRIGHT 19 BY AMP INCORPORATED. ALL RIGHTS RESERVED.

LOC	DIST	REVISIONS				
P	LTR	DESCRIPTION	DATE	DWN	APVD	
G	16	0	RELEASED	05/25/95	KW	JK
		A	REV PER ECN 0K50-0003-96	08/14/96	KW	JK
		B	REV PER ECN 0K20-0037-97	11/05/97	KL	JK
		C	REV PER EC# 0K40-0140-00	7-11-00	PC	GI



NOTES:

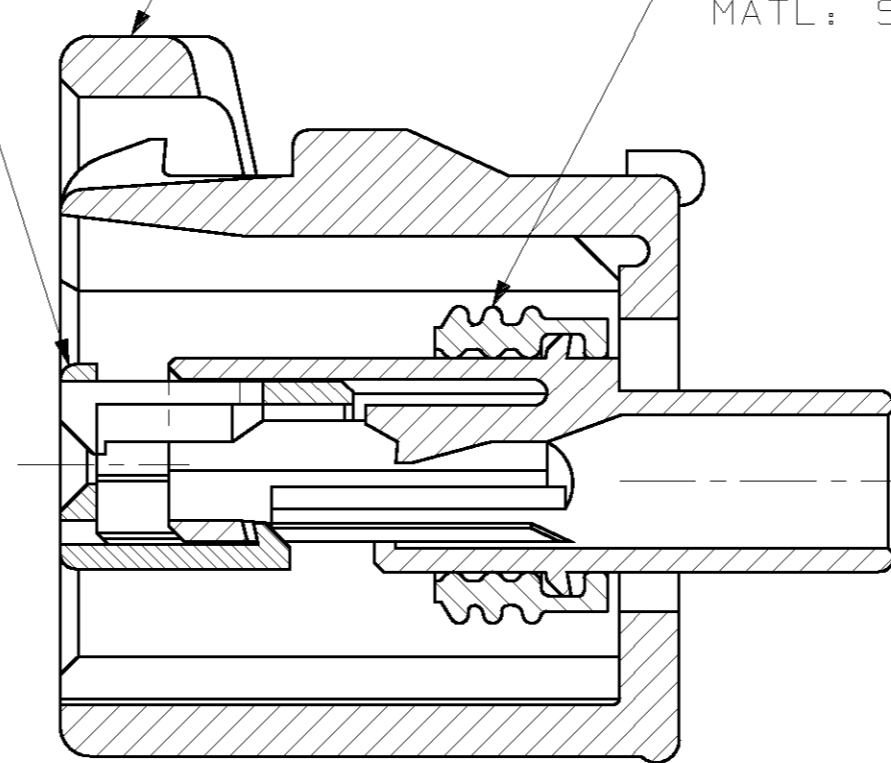
1 CIRCUIT #2 IS BLOCKED.



2 POSN DLP  
MATL: PBT, 15% GLASS FILLED

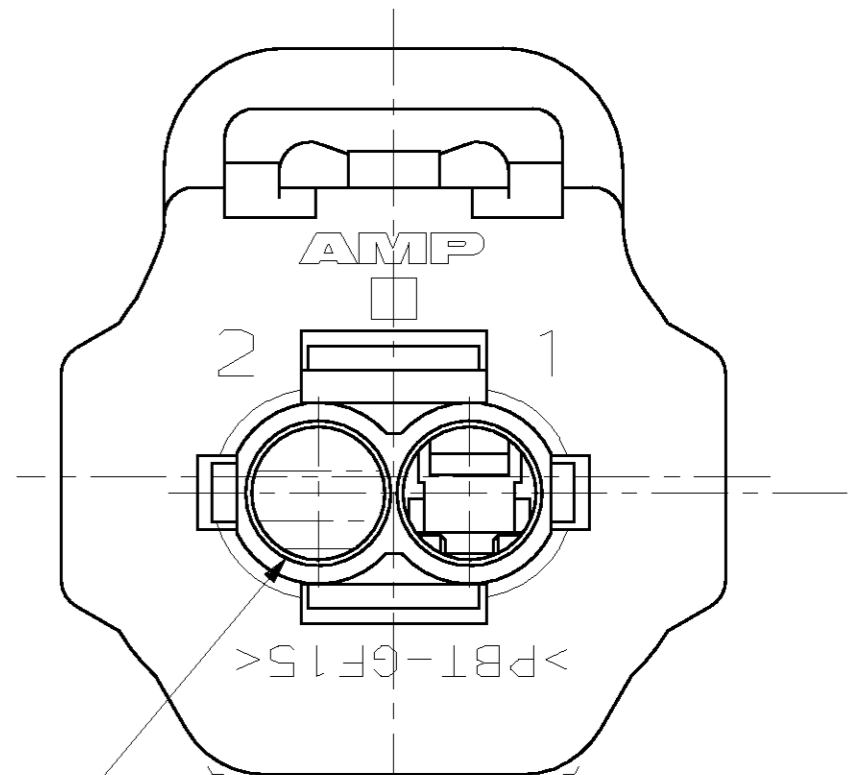
2 POSN PLUG HSG  
MATL: PBT, 15% GLASS FILLED

2 POSN SEAL RING  
MATL: SILICONE RUBBER



SECTION Z-Z  
SCALE 4:1

1  
BLOCKED CIRCUIT



VIEW B-B

BLACK	184116-2
BROWN	184116-1
COLOR	PART NO

<small>THIS DRAWING IS A CONTROLLED DOCUMENT FOR AMP INCORPORATED. IT IS SUBJECT TO CHANGE AND THE CONTROLLING ENGINEERING ORGANIZATION SHOULD BE CONTACTED FOR THE LATEST REVISION.</small>		DWN	K. WISE	05/25/95	AMP Incorporated Harrisburg, PA 17105-3608	
DIMENSIONS:		CHK	J. KUNKLE	06/05/95		
mm		APVD	J. KUNKLE	06/05/95		
		PRODUCT SPEC	-			
TOLERANCES UNLESS OTHERWISE SPECIFIED: 0 PLC ±- 1 PLC ±0.3 2 PLC ±0.15 3 PLC ±- 4 PLC ±- ANGLES ±- FINISH -		APPLICATION SPEC	-		NAME	1 X 2B PLG ASY KEY H-C3
MATERIAL		WEIGHT	-		SIZE	A2
-		CUSTOMER DRAWING	-		CAGE CODE	00779
-		SCALE	4:1		DRAWING NO	C-184116
-		SHEET	1 OF 1		REV	C

184116