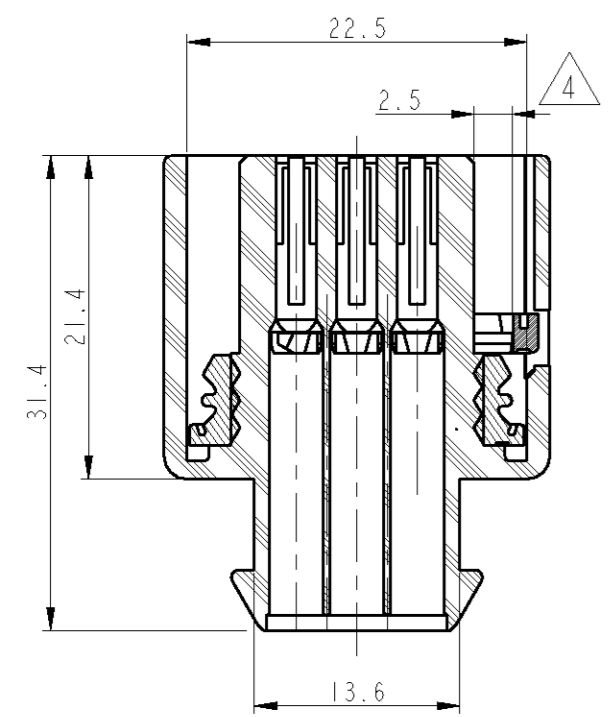
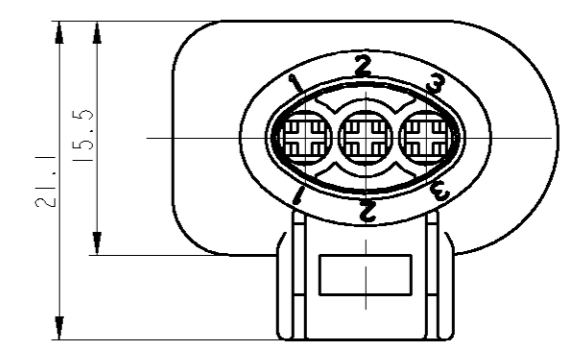
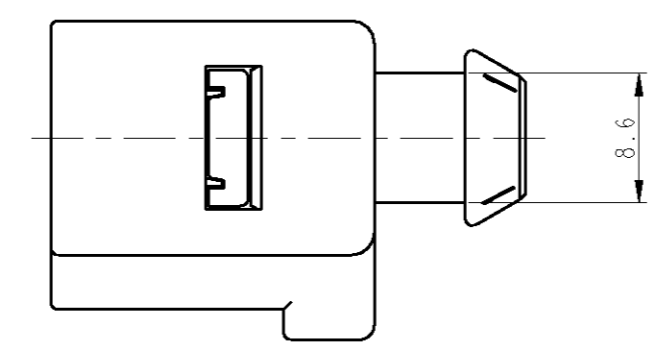
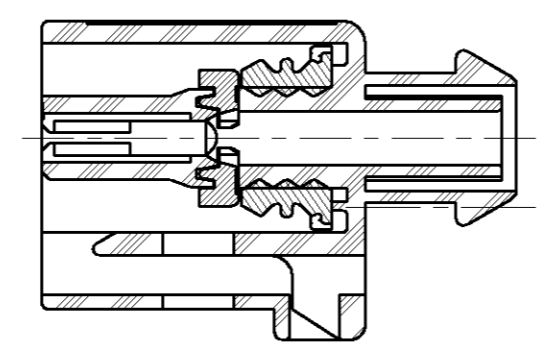
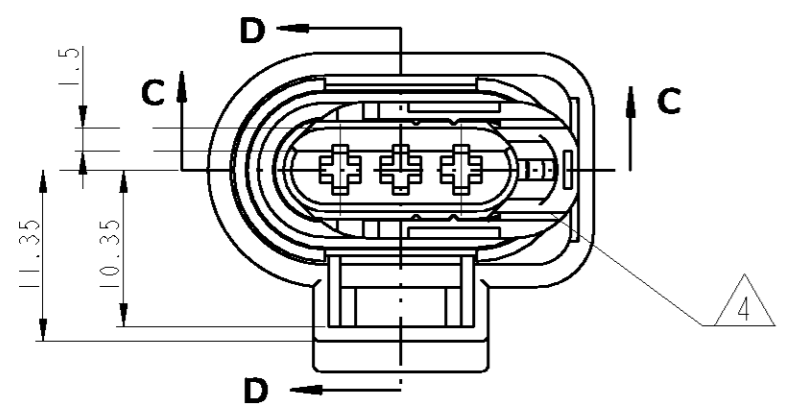


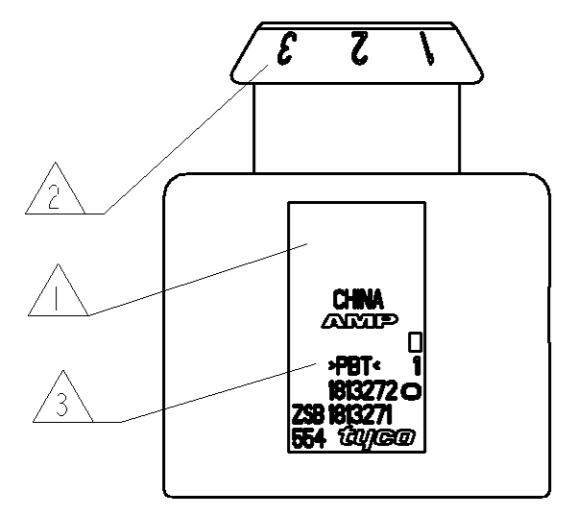
THIS DRAWING IS UNPUBLISHED. RELEASED FOR PUBLICATION
 © COPYRIGHT ALL RIGHTS RESERVED.

LOC		DIST		REVISIONS			
P	LTR	DESCRIPTION	DATE	DWN	APVD		
ES	00						
P		REVISED PER ECO-11-005140	17MAY11	RK	HMR		



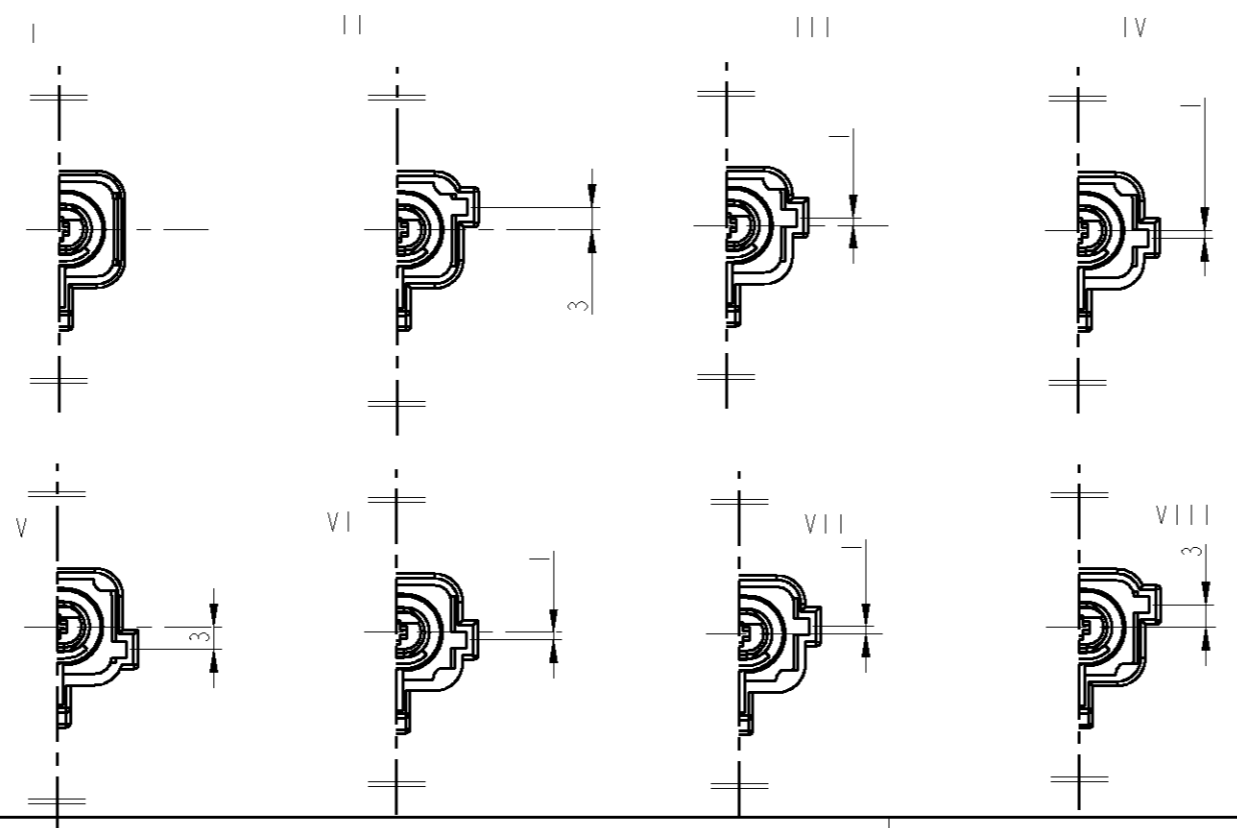
SECTION D-D

SECTION C-C



- NOTES
- 1 AREA EXCHNGABLE
 - 2 CONTACT CAVITY NUMBER: CHARACTERS 2.5 RECEDE 0.3
 - 3 MATERIAL MARKING ACC. TO VDA 260
 - 4 SHOWN AS SUPPLIED: RETAINER IN PRE-LOCKED POSITION.
- 5 BULK PACKAGED

CODINGS



CODING	ASSY NO	MATERIAL	COLOR FINISH	DESCRIPTION	Q'TY	ITEM NO
V III	1-1813271-0	MVQ	ORANGE	SEAL RING, 3 POSN	1	3
		PBT GF10	VIOLET	PLUG DBL PL, 3 POSN	1	2
		PBT	GREY	PLUG HSG, 3 POSN	1	1
V I	1813271-9	MVQ	ORANGE	SEAL RING, 3 POSN	1	3
		PBT GF10	VIOLET	PLUG DBL PL, 3 POSN	1	2
		PBT	WHITE	PLUG HSG, 3 POSN	1	1
I V	1813271-8	MVQ	ORANGE	SEAL RING, 3 POSN	1	3
		PBT GF10	VIOLET	PLUG DBL PL, 3 POSN	1	2
		PBT	ORANGE	PLUG HSG, 3 POSN	1	1
III	1813271-7	MVQ	ORANGE	SEAL RING, 3 POSN	1	3
		PBT GF10	VIOLET	PLUG DBL PL, 3 POSN	1	2
		PBT	WHITE	PLUG HSG, 3 POSN	1	1
III	1813271-6	MVQ	ORANGE	SEAL RING, 3 POSN	1	3
		PBT GF10	VIOLET	PLUG DBL PL, 3 POSN	1	2
		PBT	GREEN	PLUG HSG, 3 POSN	1	1
III	1813271-5	MVQ	ORANGE	SEAL RING, 3 POSN	1	3
		PBT GF10	RED	PLUG DBL PL, 3 POSN	1	2
		PBT	BLACK	PLUG HSG, 3 POSN	1	1
II	1813271-4	MVQ	ORANGE	SEAL RING, 3 POSN	1	3
		PBT GF10	VIOLET	PLUG DBL PL, 3 POSN	1	2
		PBT	DARK BLUE	PLUG HSG, 3 POSN	1	1
II	1813271-3	MVQ	ORANGE	SEAL RING, 3 POSN	1	3
		PBT GF10	VIOLET	PLUG DBL PL, 3 POSN	1	2
		PBT	BROWN	PLUG HSG, 3 POSN	1	1
I	1813271-2	MVQ	ORANGE	SEAL RING, 3 POSN	1	3
		PBT GF10	RED	PLUG DBL PL, 3 POSN	1	2
		PBT	BLACK	PLUG HSG, 3 POSN	1	1
I	1813271-1	MVQ	ORANGE	SEAL RING, 3 POSN	1	3
		PBT GF10	VIOLET	PLUG DBL PL, 3 POSN	1	2
		PBT	BLACK	PLUG HSG, 3 POSN	1	1

DIMENSIONS: mm		TOLERANCES UNLESS OTHERWISE SPECIFIED: ±0.3		DWN: S. XUE 20APR2006		TE Connectivity	
MATERIAL: S. TAB		FINISH: S. TAB		CHK: R. ZHOU 20APR2006			
MATERIAL: S. TAB		FINISH: S. TAB		APVD: K. ODA 20APR2006		NAME: PLUG HOUSING ASSEMBLY, 3 POSITION RADIAL SEALED MICRO TIMER II	
MATERIAL: S. TAB		FINISH: S. TAB		PRODUCT SPEC: 108-18179-1		SIZE: A2	
MATERIAL: S. TAB		FINISH: S. TAB		APPLICATION SPEC: N/A		CAGE CODE: 00779	
MATERIAL: S. TAB		FINISH: S. TAB		WEIGHT: 6.21g		DRAWING NO: 1813271	
MATERIAL: S. TAB		FINISH: S. TAB		SCALE: 2:1		RESTRICTED TO: -	
MATERIAL: S. TAB		FINISH: S. TAB		SHEET: 1 OF 1		REV: P	