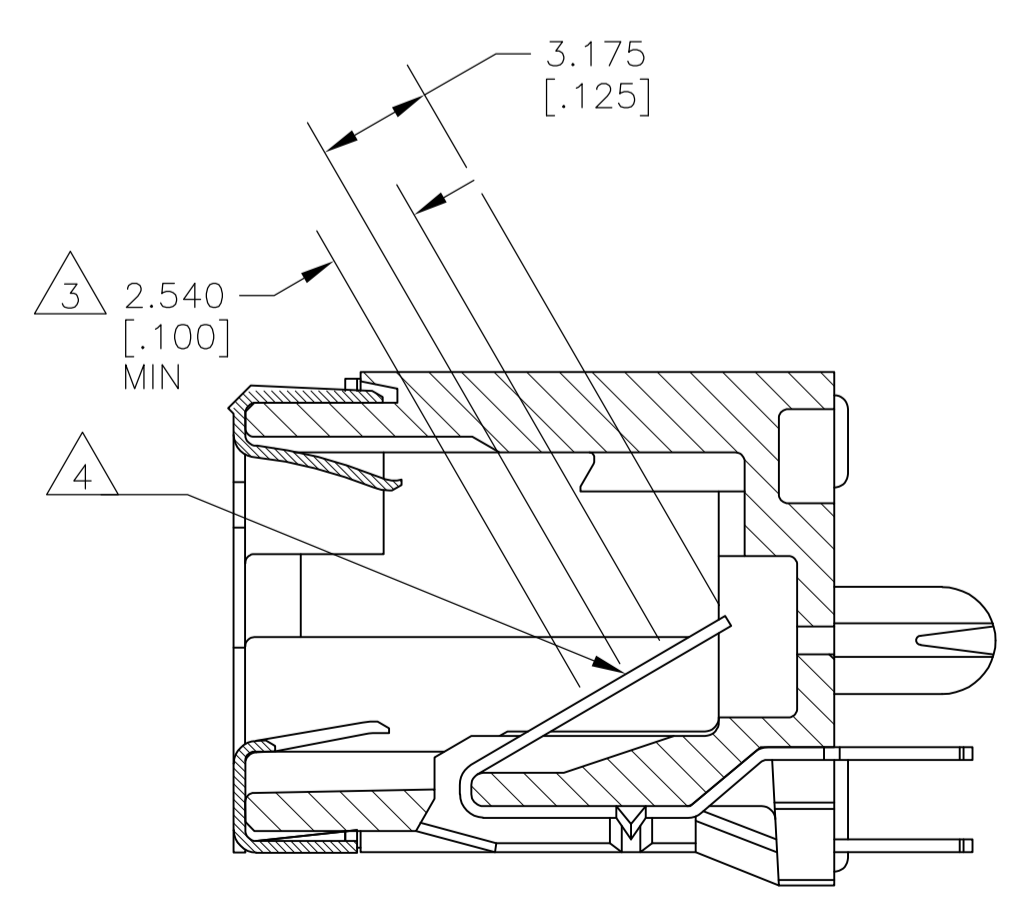
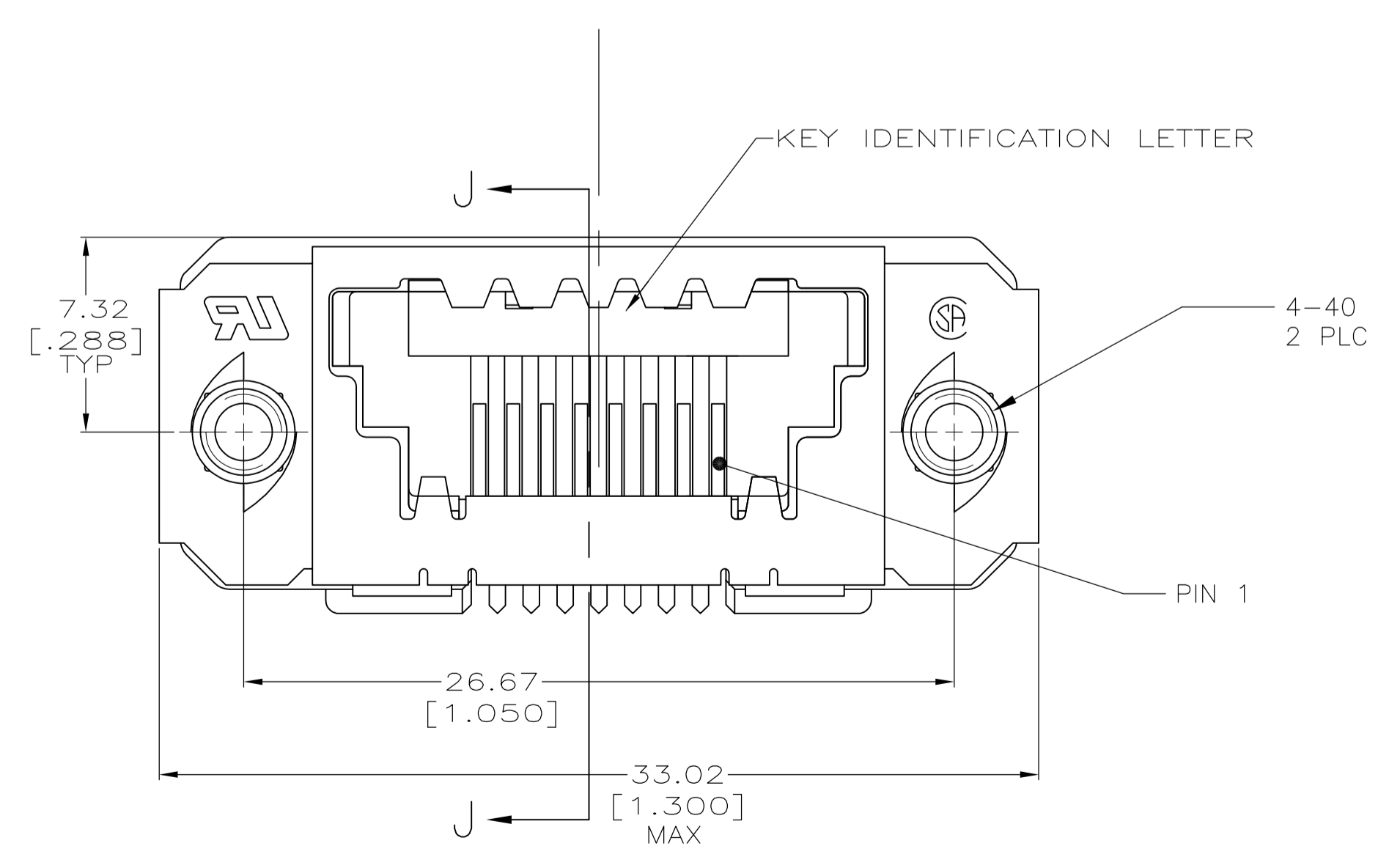
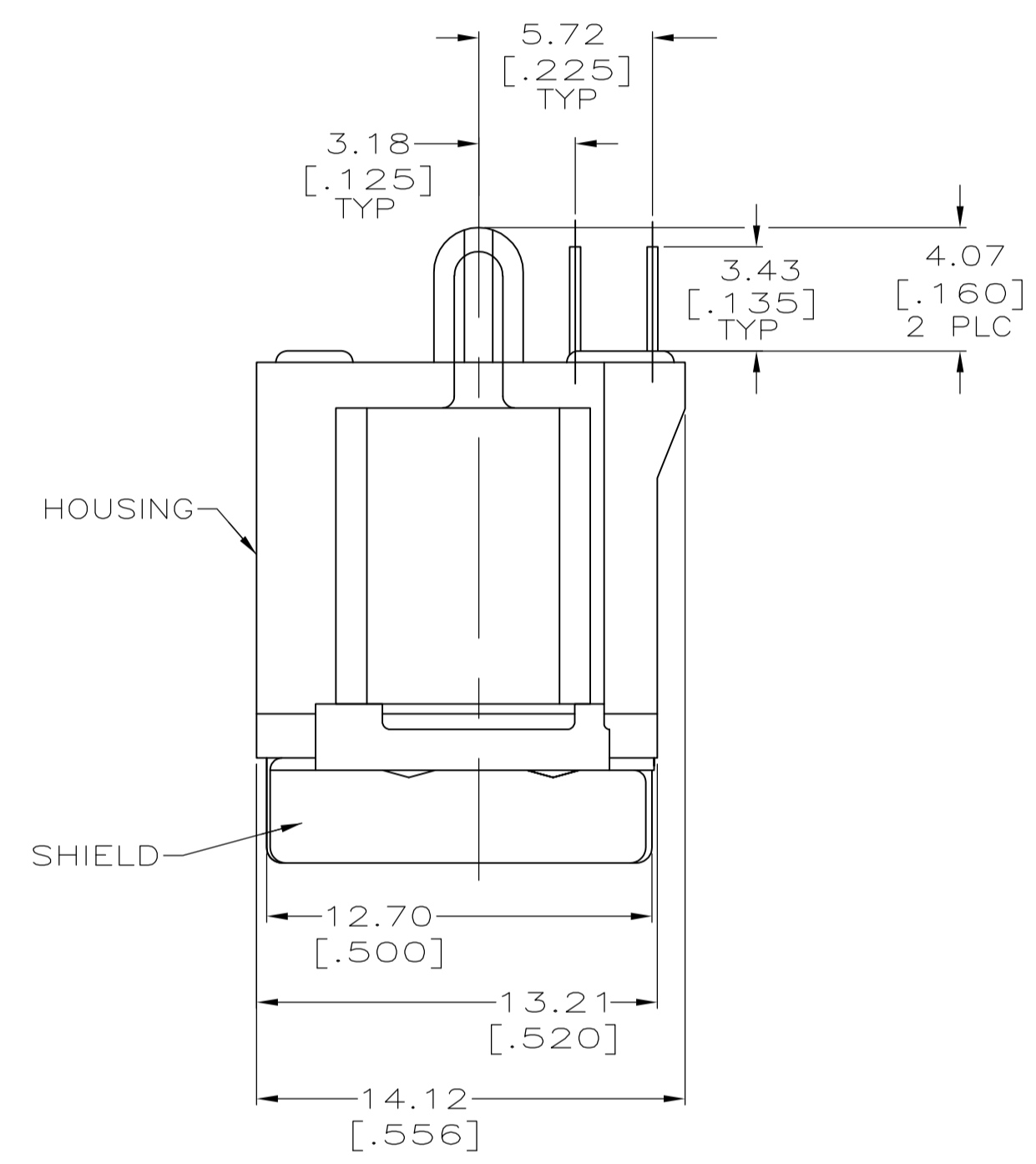
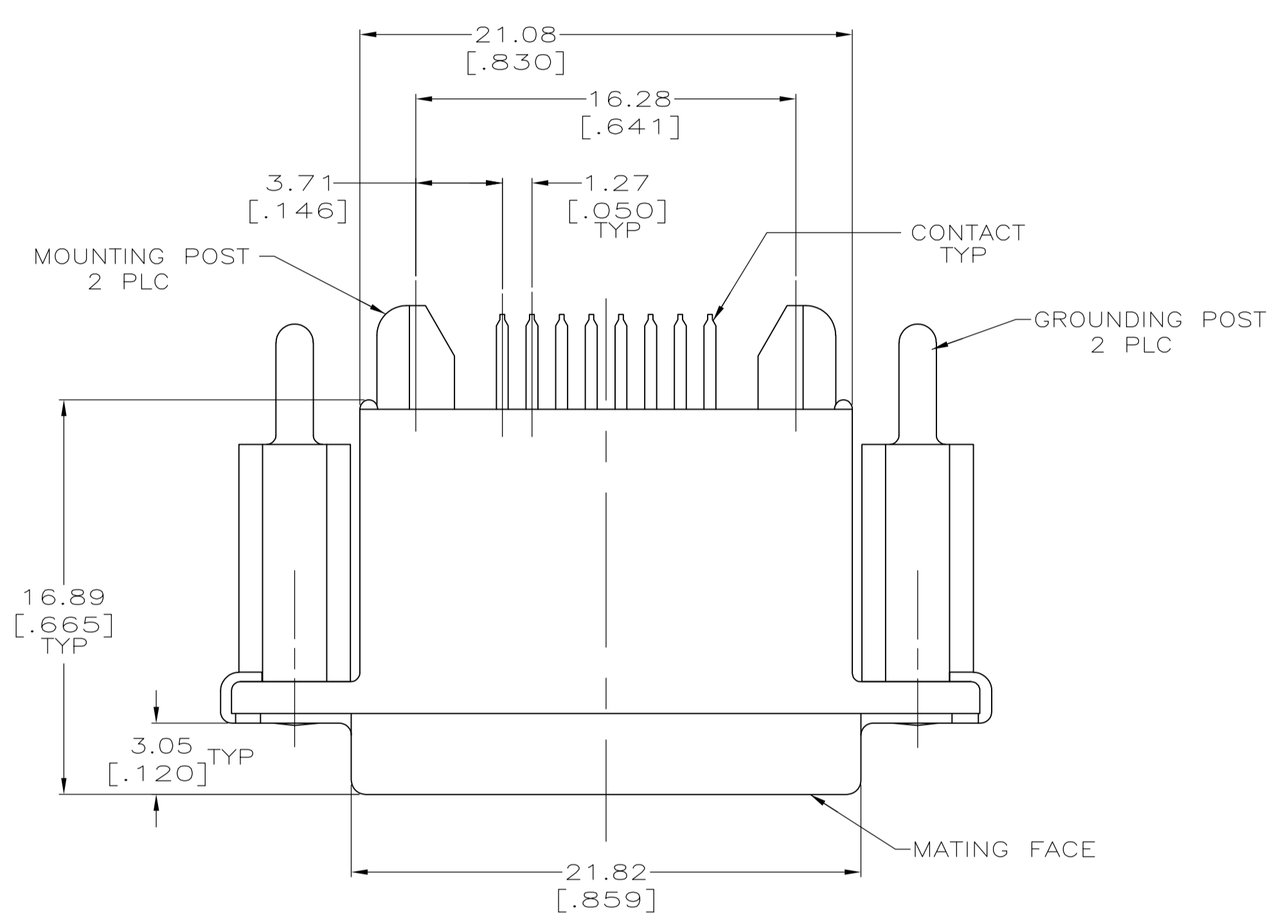


LOC		DIST		REVISIONS			
GP	00	REV	DATE	BY	APP'D	REV	DATE
C		REVISED PER ECO-11-019758	13FEB2012	CJV	CWR		

- 1 HOUSING: POLYESTER, FLAME RETARDANT, UL 94V-0 RATED, GLASS FILLED, BLACK.
SHIELD: BRASS.
CONTACT: PHOSPHOR BRONZE.
GROUNDING POST: ZINC, Z33521, RECTANGULAR.
- 2 SHIELD: 0.76µm [.000030] MIN BRIGHT TIN OVER 1.27µm [.000050] MIN NICKEL.
CONTACT: 1.27µm [.000050] MIN GOLD ON MATING SURFACE FOR A LENGTH OF 2.54 [.100] MIN, 3.81µm [.000150] MIN MATTE TIN ON OPPOSITE END FOR A LENGTH OF 3.81 [.150] MIN, BOTH OVER 1.27µm [.000050] MIN NICKEL ON ENTIRE CONTACT.
GROUNDING POST: .000150 MIN BRIGHT TIN OVER .000150 MIN NICKEL OVER .000100 MIN COPPER.
- 3 DIMENSION INDICATES CONTACT MATING AREA.
- 4 PLATING MEASUREMENT POINT.



SECTION J-J

8	1761196-1
NO OF POSN	PART NUMBER

THIS DRAWING IS A CONTROLLED DOCUMENT. DIMENSIONING AND TOLERANCING PER ASME Y14.5M-2009		DWG NO: MCMASTER 30APR04	REV: C	
DIMENSIONS: mm [INCHES]		CHK: C. ROHDE 30APR04	NAME: M. WALMSLEY 30APR04	
TOLERANCES UNLESS OTHERWISE SPECIFIED:		PRODUCT SPEC: 108-2047		
0 PLC	± -	APPLICATION SPEC: 114-2081		
1 PLC	± -	SIZE: A1		
2 PLC	± 0.38 [.015]	CAGE CODE: 1761196		
3 PLC	± -	DRAWING NO: 1761196		
4 PLC	± -	RESTRICTED TO: -		
ANGLES	± -	SCALE: 5:1		
MATERIAL	FINISH	SHEET 1 OF 1		
CUSTOMER DRAWING		REV: C		