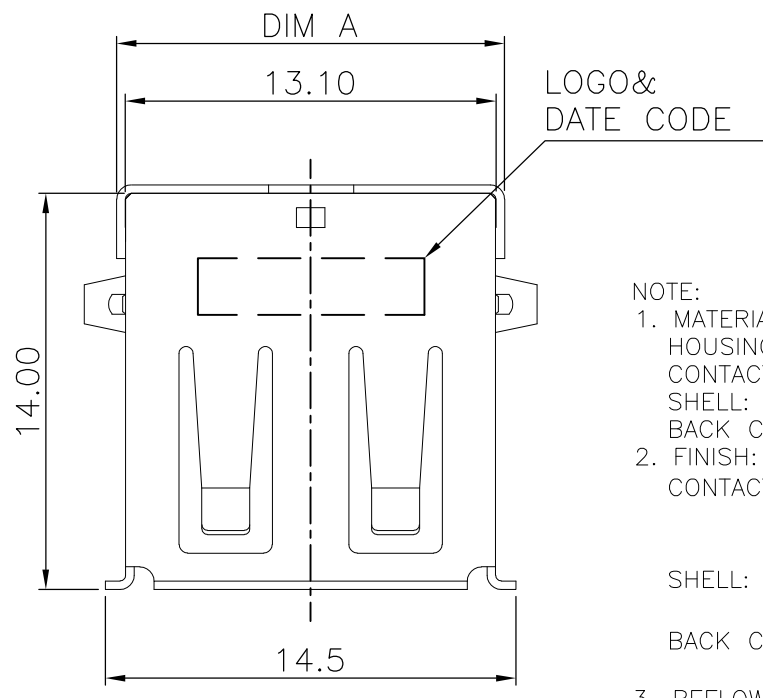
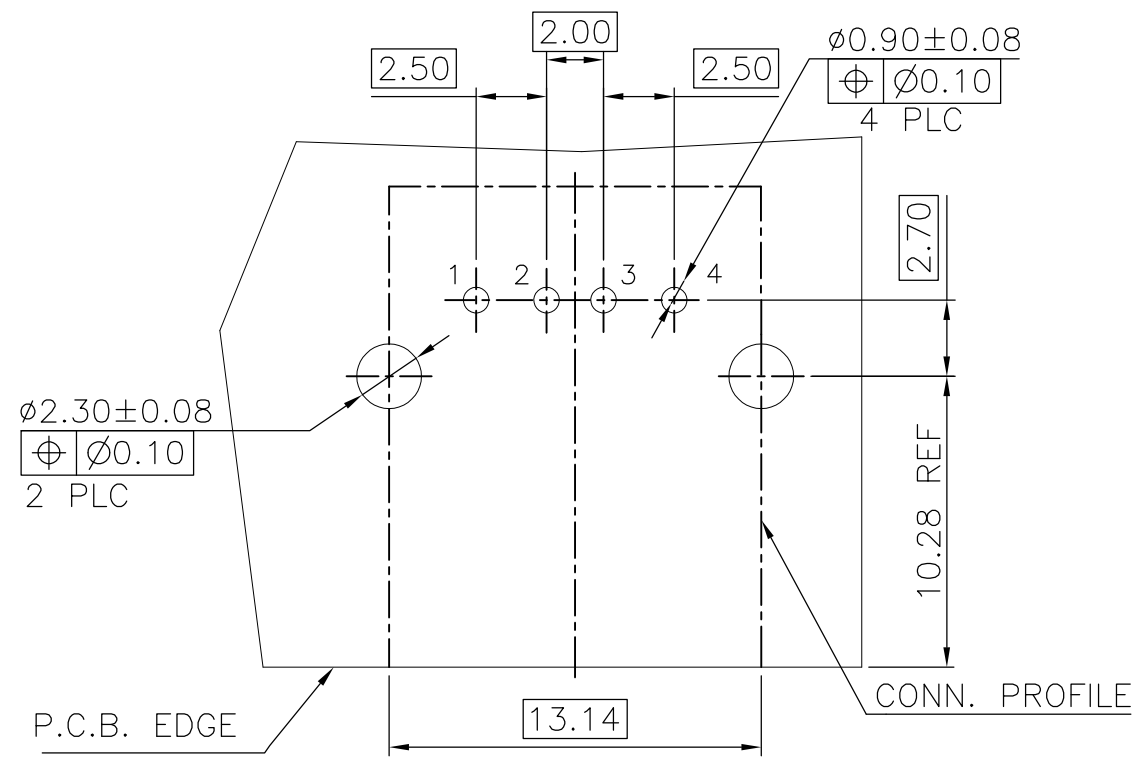


THIS DRAWING IS UNPUBLISHED.      RELEASED FOR PUBLICATION  
 © COPYRIGHT - BY - ALL RIGHTS RESERVED.

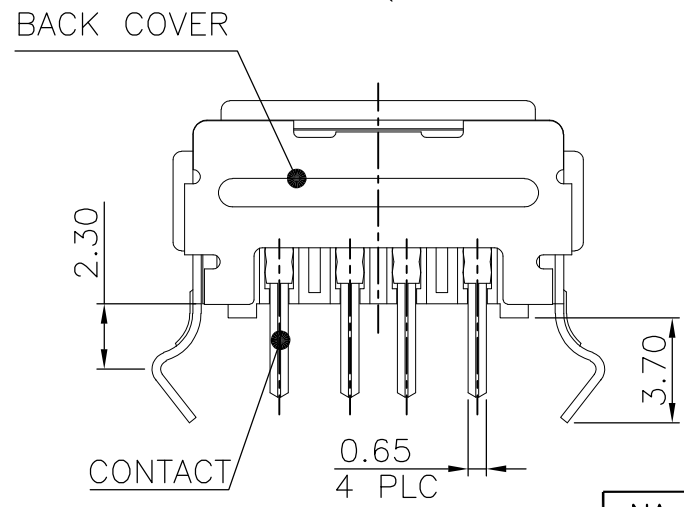
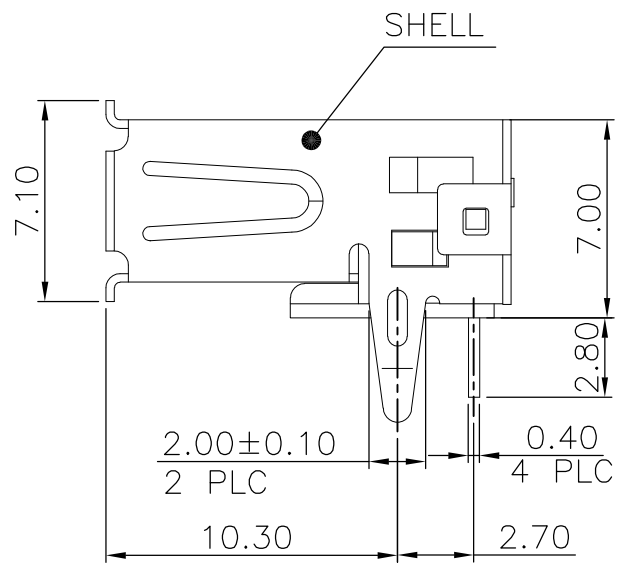
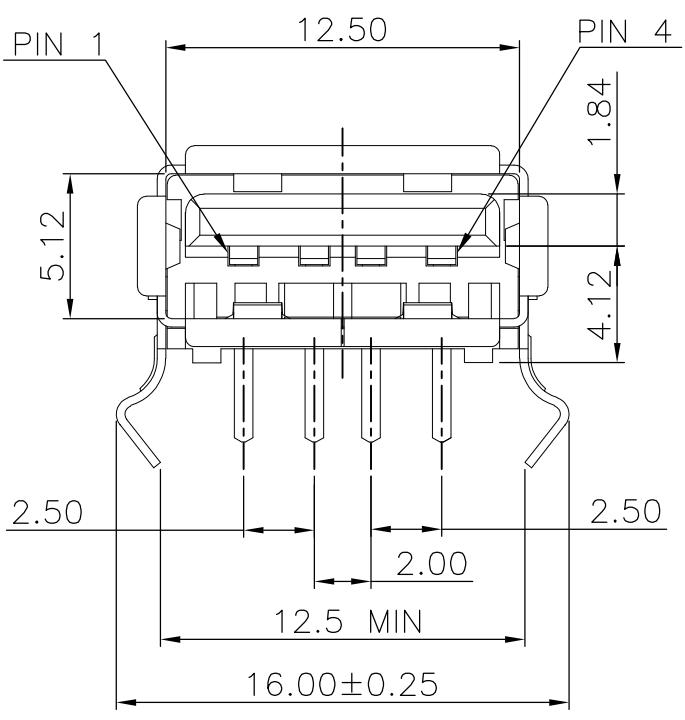
LOC		DIST		REVISIONS			
P	LTR	DESCRIPTION		DATE	DWN	APVD	
	E1	REVISED PER ECO-11-005301		07MAR11	RK	HMR	



NOTE:  
 1. MATERIAL:  
 HOUSING: PA9T WITH 30%GF, UL94V-0, BLACK COLOR.  
 CONTACT: PHOSPHOR BRONZE.  
 SHELL: BRASS.  
 BACK COVER: BRASS.  
 2. FINISH:  
 CONTACT: 0.762µm [30µ"] MIN. GOLD PLATING ON CONTACT AREA.  
           3.048µm [120µ"] MIN. BRIGHT TIN PLATING ON SOLDER TAILS.  
           1.27µm [50µ"] MIN. NICKEL UNDERPLATING OVERALL.  
 SHELL: 0.762µm [30µ"] MIN. NICKEL PLATED OVER  
           0.762µm [30µ"] MIN. Cu UNDERPLATING OVERALL.  
 BACK COVER: 0.762µm [30µ"] MIN. NICKEL PLATED OVER  
               0.762µm [30µ"] MIN. Cu UNDERPLATING OVERALL.  
 3. REFLOW SOLDER CAPABLE TO 260°C PER TE CONNECTIVITY SPEC 109-201, CONDITION B.



RECOMMEND P.C.B LAYOUT (THICKNESS=1.6mm)  
 (COMPONENT SIDE) TOLERANCE±0.05



NA	W/O	TRAY	1734081-2
13.7	W/	TRAY	1734081-1
DIM.A	BACK COVER	PACKAGE	PART NUMBER

THIS DRAWING IS A CONTROLLED DOCUMENT.		DWN	O. HU	21SEP2004	TE Connectivity USB CONNECTOR, RECEPTACLE 4 POSITION, SERIES A					
DIMENSIONS: MM		CHK	S. HSU	21SEP2004				NAME		
TOLERANCES UNLESS OTHERWISE SPECIFIED:		APVD	W.J. KE	21SEP2004				PRODUCT SPEC		
0 PLC ± - 1 PLC ± 0.35 2 PLC ± 0.25 3 PLC ± 0.15 4 PLC ± - ANGLES ± 3°		APPLICATION SPEC		108-57505						
MATERIAL SEE NOTE		FINISH SEE NOTE		WEIGHT		501-57579	SIZE	CAGE CODE	DRAWING NO	RESTRICTED TO
				CUSTOMER DRAWING		2.01 GRAMS	A3	00779	C=1734081	
				SCALE		-	SHEET		1 OF 19	REV E1

4

3

2

1

THIS DRAWING IS UNPUBLISHED. RELEASED FOR PUBLICATION  
 © COPYRIGHT - BY - ALL RIGHTS RESERVED.

LOC	DIST	REVISIONS				
P	LTR	DESCRIPTION	DATE	DWN	APVD	
		SEE SHEET 1.	-	-	-	

13.7  
13.10  
14.00  
14.5  
LOGO & DATE CODE

2.00 2.50 2.50  
 $\phi 0.90 \pm 0.08$   
 $\phi 0.10$   
 4 PLC  
 R0.45  
 2.40  
 2 PLC  
 2.75  
 10.05 REF  
 12.80  
 P.C.B. EDGE  
 CONN. PROFILE

2.00 2.50 2.50  
 $\phi 0.90 \pm 0.08$   
 $\phi 0.10$   
 4 PLC  
 R0.45  
 2.10  
 2 PLC  
 2.75  
 10.05 REF  
 12.80  
 P.C.B. EDGE  
 CONN. PROFILE

RECOMMEND P.C.B LAYOUT (THICKNESS=1.6mm)  
 (COMPONENT SIDE) TOLERANCE±0.05 FOR DIM.A=2.4

RECOMMEND P.C.B LAYOUT (THICKNESS=1.4~1.6mm)  
 (COMPONENT SIDE) TOLERANCE±0.05 FOR DIM.A=2.0

12.50  
1.84  
5.12  
4.12  
2.50 2.50  
2.00  
12.80  
PIN 1  
PIN 4

DIM.A  
 2.42  
 2 PLC  
 0.40  
 4 PLC  
 10.30  
 2.75±0.15

0.65  
 4 PLC

HSG. MATERIAL	HSG. COLOR	DIM A	DIM B	PACKAGE	PART NUMBER
PA-46	MOON GRAY	2.0	2.25	T&R	1-1734081-4
		2.4	2.25	T&R	1-1734081-3
PA-9T	BLACK	2.0	1.5	T&R	1-1734081-5
			2.25	T&R	1-1734081-2
				TRAY	1-1734081-1

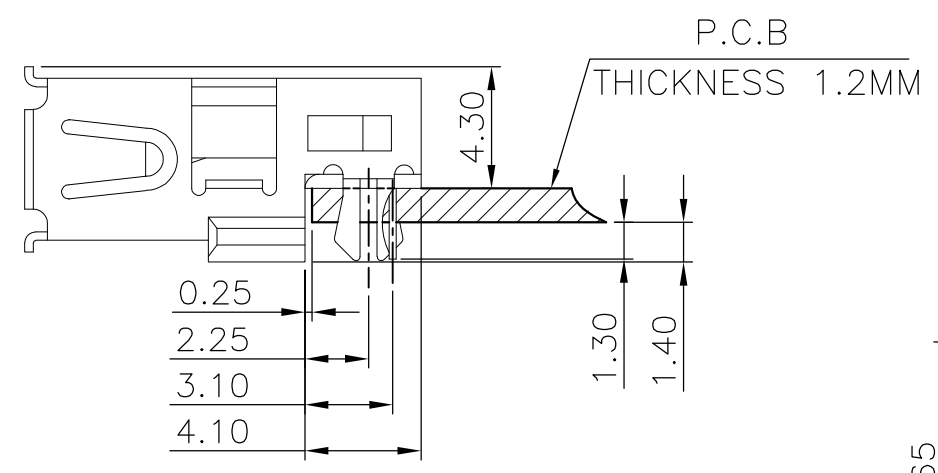
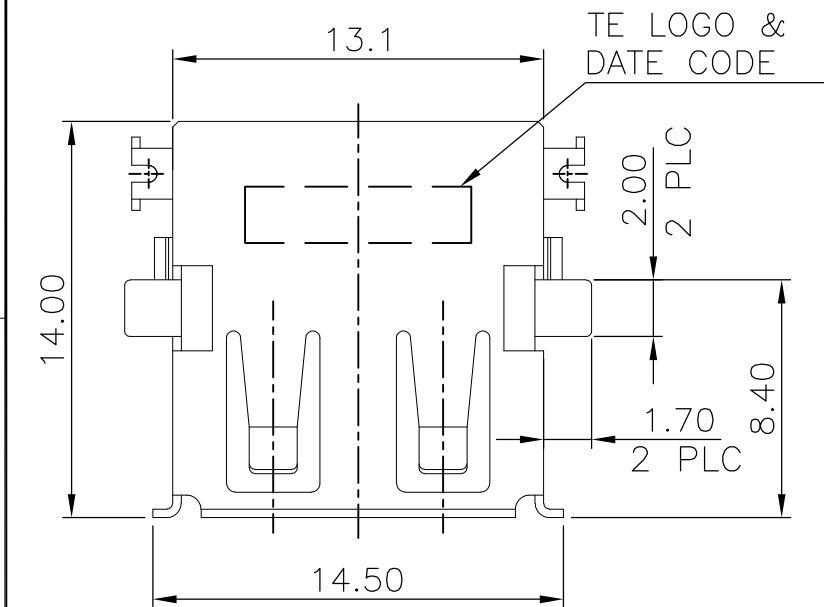
NOTE:  
 1. MATERIAL:  
 HOUSING: THERMOPLASTIC (SEE TABLE) WITH 30%GF, UL94V-0, BLACK COLOR.  
 CONTACT: PHOSPHOR BRONZE.  
 SHELL: BRASS.  
 BACK COVER: BRASS.  
 2. FINISH:  
 CONTACT: 0.762μm [30μ"] MIN. GOLD PLATING ON CONTACT AREA,  
 3.048μm [120μ"] MIN. BRIGHT TIN PLATING ON SOLDERTAILS.  
 1.27μm [50μ"] MIN. NICKEL UNDERPLATING OVERALL.  
 SHELL: 0.762μm [30μ"] MIN. NICKEL PLATED OVER  
 0.762μm [30μ"] MIN. Cu UNDERPLATING OVERALL.  
 BACK COVER: 0.762μm [30μ"] MIN. NICKEL PLATED OVER  
 0.762μm [30μ"] MIN. Cu UNDERPLATING OVERALL.  
 REFLOW SOLDER CAPABLE TO 245°C PER TE CONNECTIVITY SPEC 109-201, CONDITION A.  
 REFLOW SOLDER CAPABLE TO 260°C PER TE CONNECTIVITY SPEC 109-201, CONDITION B.

THIS DRAWING IS A CONTROLLED DOCUMENT.		DWN		TE Connectivity	
DIMENSIONS: MM		CHK		NAME	
TOLERANCES UNLESS OTHERWISE SPECIFIED:		APVD		PRODUCT SPEC	
0 PLC ± -		PRODUCT SPEC		APPLICATION SPEC	
1 PLC ± 0.35		APPLICATION SPEC		SIZE	
2 PLC ± 0.25		CUSTOMER DRAWING		CAGE CODE	
3 PLC ± 0.15		WEIGHT 2.01 GRAMS		DRAWING NO	
4 PLC ± -		A300779		RESTRICTED TO	
ANGLES ± 3°		CUSTOMER DRAWING		SCALE	
MATERIAL SEE NOTE		FINISH SEE NOTE		SHEET 2 OF 19	
		REV E1			

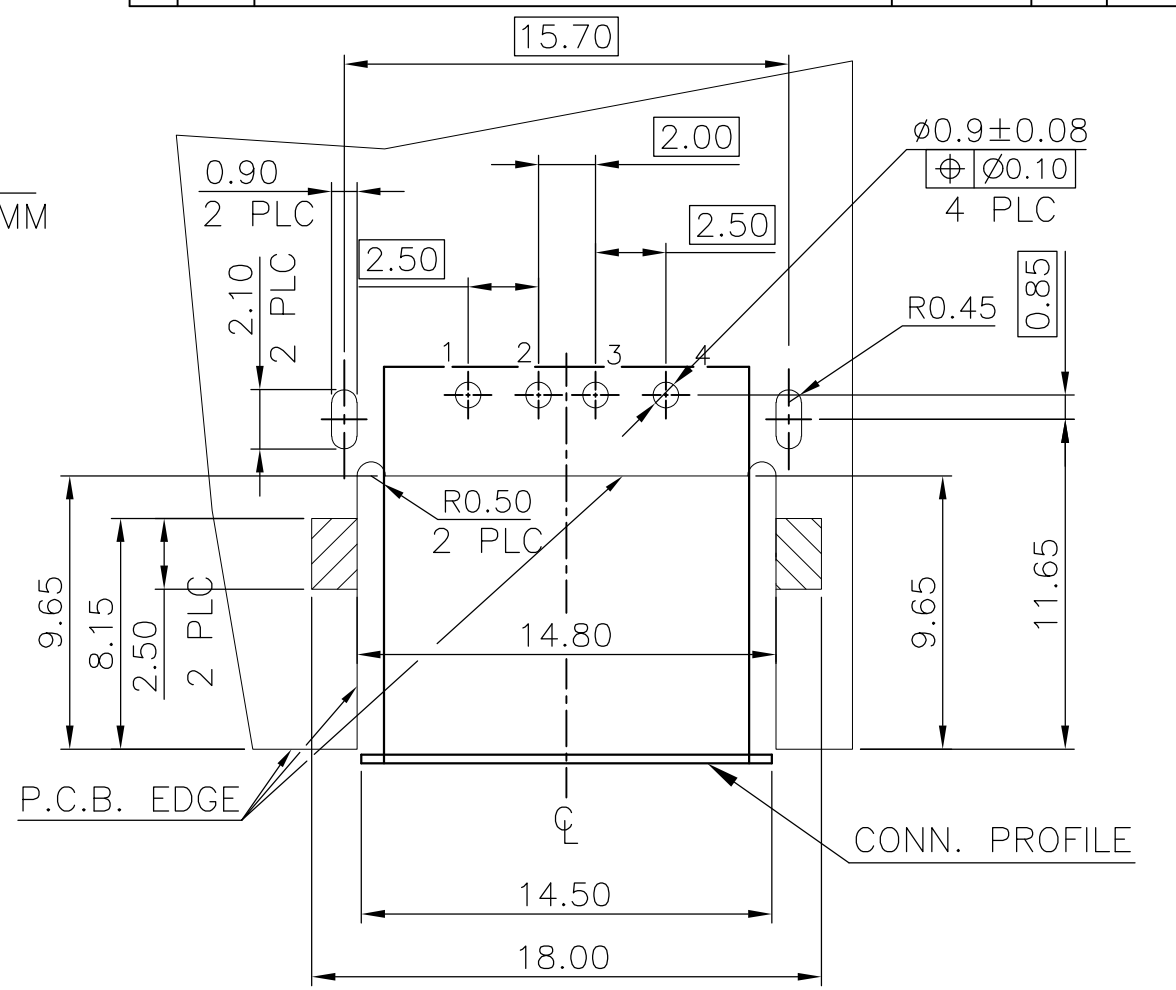
1470-19 (3/11)

THIS DRAWING IS UNPUBLISHED. RELEASED FOR PUBLICATION  
 © COPYRIGHT - BY - ALL RIGHTS RESERVED.

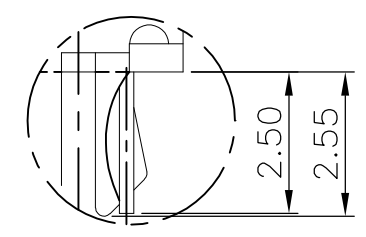
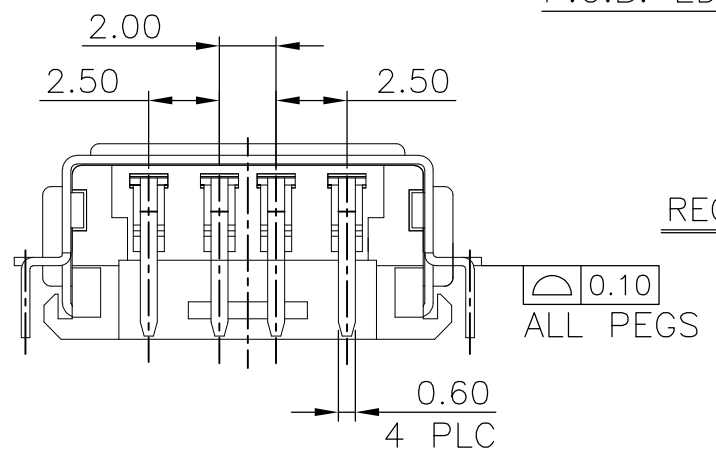
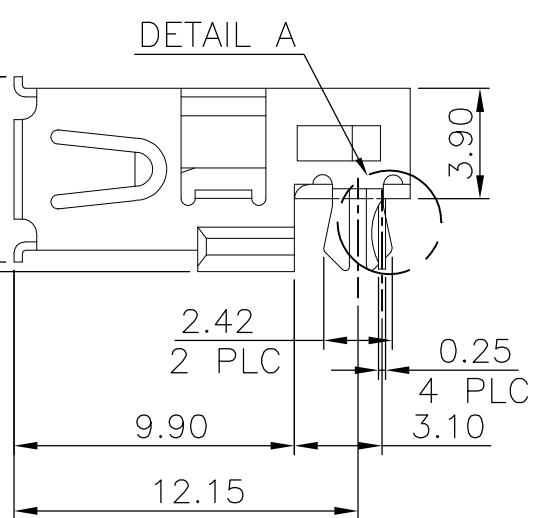
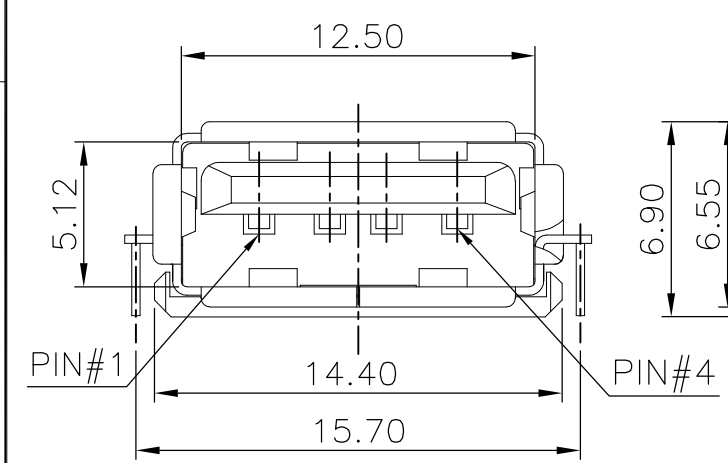
LOC	DIST	REVISIONS			
P	LTR	DESCRIPTION	DATE	DWN	APVD
-	-	SEE SHEET 1.	-	-	-



RECOMMENDED MOUNT DIMENSION



RECOMMEND P.C.B LAYOUT (THICKNESS=1.2mm)  
 (COMPONENT SIDE) TOLERANCE±0.05



DETAIL A  
 SCALE 2:1

△	TAPE & REEL	2-1734081-3
△	TUBE	2-1734081-2
△	TUBE	2-1734081-1
△	SHELL PLATING	PACKAGE PART NUMBER

NOTE:  
 1. MATERIAL:  
 HOUSING: PA9T WITH 30%GF, UL94V-0, BLACK COLOR.  
 CONTACT: PHOSPHOR BRONZE.  
 SHELL: BRASS.  
 2. FINISH:  
 CONTACT: 0.762µm [30µ"] MIN. GOLD PLATING ON CONTACT AREA,  
 3.048µm [120µ"] MIN. BRIGHT TIN PLATING ON SOLDER TAILS.  
 1.27µm [50µ"] MIN. NICKEL UNDERPLATING OVERALL.  
 SHELL: Δ0.762µm [30µ"] MIN. TIN PLATED OVER  
 0.762µm [30µ"] MIN. Cu UNDERPLATING OVERALL.  
 Δ0.762µm [30µ"] MIN. NICKEL PLATED OVER  
 0.762µm [30µ"] MIN. Cu UNDERPLATING OVERALL.  
 3. REFLOW SOLDER CAPABLE TO 260°C PER TE CONNECTIVITY SPEC 109-201, CONDITION B.

THIS DRAWING IS A CONTROLLED DOCUMENT.		DWN	TE Connectivity USB CONNECTOR, RECEPTACLE 4 POSITION, SERIES A				
DIMENSIONS: MM		CHK				NAME	
TOLERANCES UNLESS OTHERWISE SPECIFIED:		APVD				PRODUCT SPEC	
MATERIAL		APVD				APPLICATION SPEC	
SEE NOTE		APVD	SIZE	CAGE CODE	DRAWING NO		
SEE NOTE		APVD	1.57 GRAMS		A300779		
FINISH		APVD	CUSTOMER DRAWING		RESTRICTED TO		
SEE NOTE		APVD	SCALE		SHEET 3 OF 19		
		APVD	REV E1				

4

3

2

1

THIS DRAWING IS UNPUBLISHED.

RELEASED FOR PUBLICATION

ALL RIGHTS RESERVED.

© COPYRIGHT - BY -

LOC  
DW

DIST

REVISIONS

P	LTR	DESCRIPTION	DATE	DWN	APVD
-	-	SEE SHEET 1.	-	-	-

TE LOGO & DATE CODE

2.0

0.40

P.C.B.

3.5

13.10

1.20

RECOMMENDED MOUNT DIMENSION

2.25

2.30

0.10

ALL SOLDER TAILS AND PEGS

6.90

6.54

0.25  
4 PLC

9.9

2.20  
2 PLC

13.10

12.50

5.12

PIN#1

14.40

15.70

PIN#4

15.70

2.50

2.00

2.50

0.90

0.90

2.10  
2 PLC

2.50  
2 PLC

1 2 3 4

R0.45

2.50

9.05

7.65

2.50  
2 PLC

14.80

1.00

12.10

13.40

13.30

14.50

18.20

P.C.B. EDGE

CONN. PROFILE

RECOMMEND P.C.B LAYOUT (THICKNESS=1.2mm)  
(COMPONENT SIDE) TOLERANCE ±0.05

2.25

2.50

2.00

2.50

TAPE & REEL	3-1734081-1
PACKAGE	PART NUMBER

NOTE:

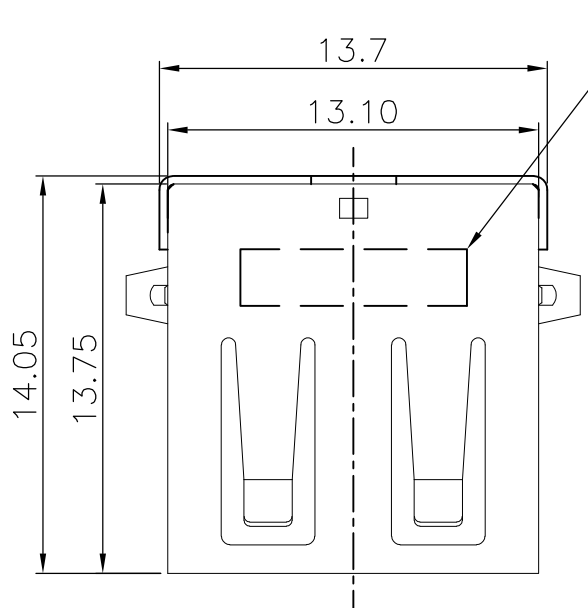
- MATERIAL:  
HOUSING: PA9T WITH 30%GF, UL94V-0, BLACK COLOR.  
CONTACT: PHOSPHOR BRONZE.  
SHELL: BRASS.
- FINISH:  
CONTACT: 0.762μm [30μ"] MIN. GOLD PLATING ON CONTACT AREA,  
3.048μm [120μ"] MIN. BRIGHT TIN PLATING ON SOLDER TAILS.  
1.27μm [50μ"] MIN. NICKEL UNDERPLATING OVERALL.  
SHELL: 0.762μm [30μ"] MIN. NICKEL PLATED OVER  
0.762μm [30μ"] MIN. Cu UNDERPLATING OVERALL.
- REFLOW SOLDER CAPABLE TO 260°C PER TE CONNECTIVITY SPEC 109-201, CONDITION B.

THIS DRAWING IS A CONTROLLED DOCUMENT.		DWN	TE Connectivity			
DIMENSIONS: MM		CHK				
		APVD	NAME			
0 PLC ± - 1 PLC ± 0.35 2 PLC ± 0.25 3 PLC ± 0.15 4 PLC ± - ANGLES ± 3°		PRODUCT SPEC	USB CONNECTOR, RECEPTACLE 4 POSITION, SERIES A			
MATERIAL SEE NOTE		APPLICATION SPEC	SIZE	CAGE CODE	DRAWING NO	RESTRICTED TO
FINISH SEE NOTE		WEIGHT	1.54 GRAMS	A300779	C=1734081	-
CUSTOMER DRAWING			SCALE	SHEET	4 OF 19	REV E1

1470-19 (3/11)

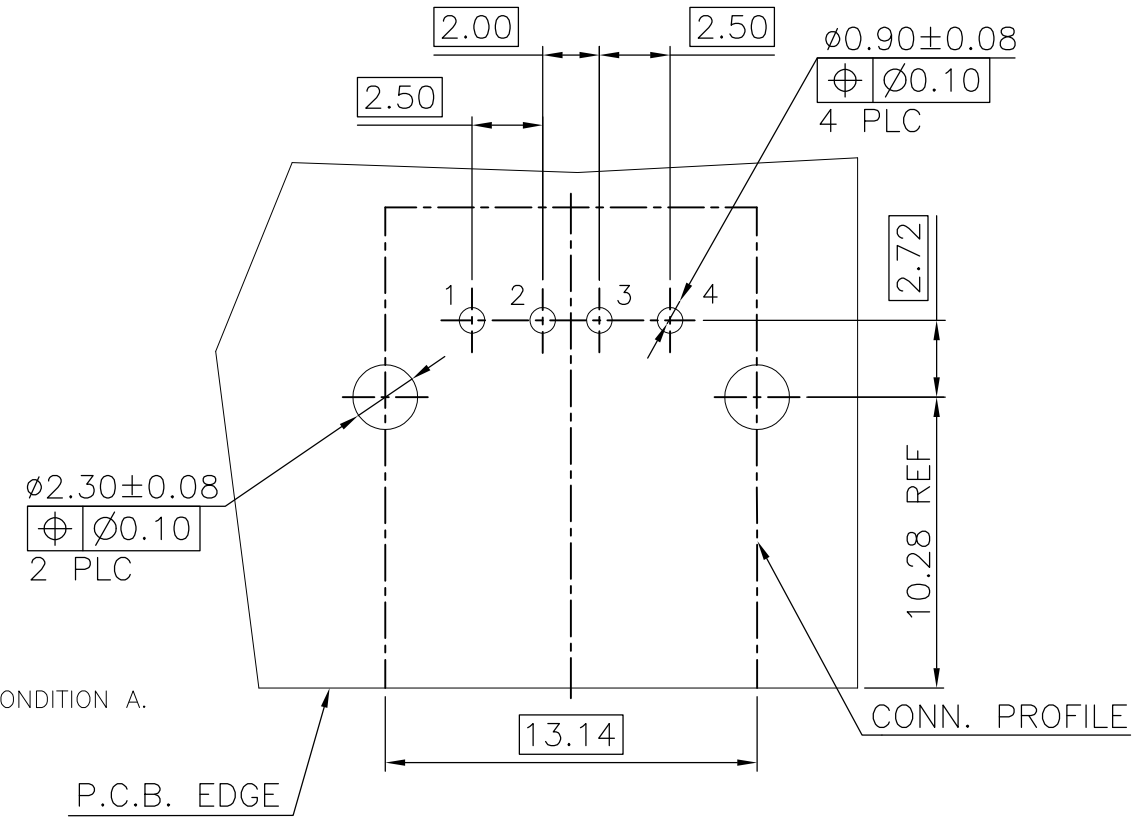
THIS DRAWING IS UNPUBLISHED. RELEASED FOR PUBLICATION  
 © COPYRIGHT - BY - ALL RIGHTS RESERVED.

LOC	DIST	REVISIONS			
P	LTR	DESCRIPTION	DATE	DWN	APVD
		SEE SHEET 1.	-	-	-

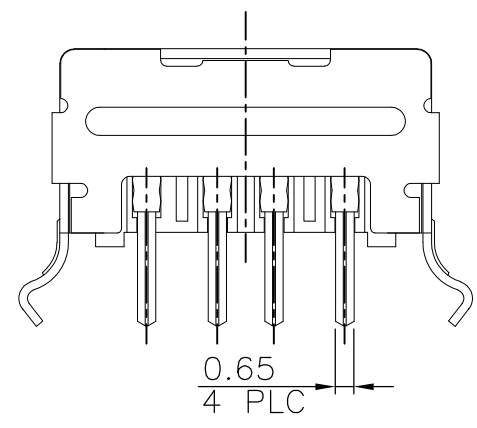
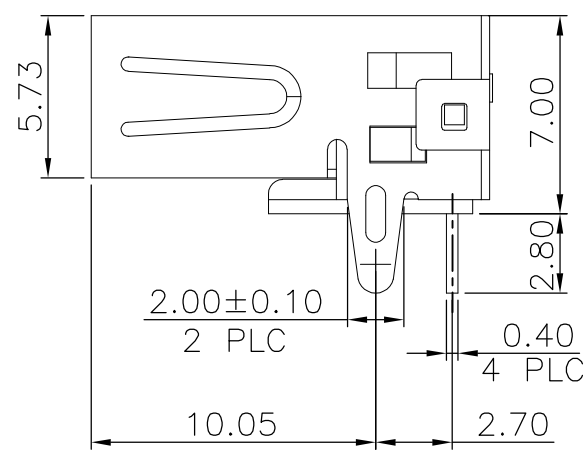
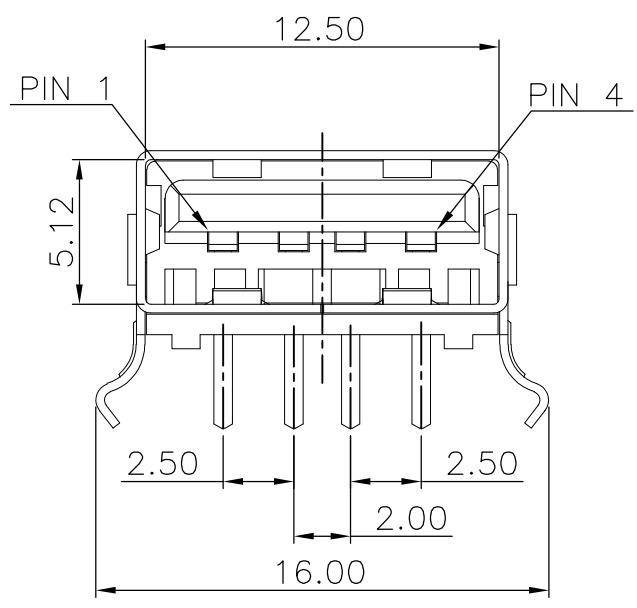


LOGO &  
DATE CODE

- NOTE:
- MATERIAL:  
 HOUSING: PBT WITH 30%GF, UL94V-0, COLOR: SEE TABLE.  
 CONTACT: PHOSPHOR BRONZE.  
 SHELL: BRASS.  
 BACK COVER: BRASS.
  - FINISH:  
 CONTACT: 0.762µm [30µ"] MIN. GOLD PLATING ON CONTACT AREA.  
 3.048µm [120µ"] MIN. BRIGHT TIN PLATING ON SOLDER TAILS.  
 1.27µm [50µ"] MIN. NICKEL UNDERPLATING OVERALL.  
 SHELL: 0.762µm [30µ"] MIN. NICKEL PLATED OVER  
 0.762µm [30µ"] MIN. Cu UNDERPLATING OVERALL.  
 BACK COVER: 0.762µm [30µ"] MIN. NICKEL PLATED OVER  
 0.762µm [30µ"] MIN. Cu UNDERPLATING OVERALL.
  - WAVE SOLDER CAPABLE TO 245°C PER TE CONNECTIVITY SPEC 109-202, CONDITION A.



RECOMMEND P.C.B LAYOUT (THICKNESS=1.6mm)  
 (COMPONENT SIDE) TOLERANCE±0.05



TRAY	MOON GRAY	4-1734081-2
	NONMETALLIC PEARL	4-1734081-1
PACKAGE	HSG. COLOR	PART NUMBER

THIS DRAWING IS A CONTROLLED DOCUMENT.		DWN	 TE Connectivity USB CONNECTOR, RECEPTACLE 4 POSITION, SERIES A		
DIMENSIONS: MM		CHK			
TOLERANCES UNLESS OTHERWISE SPECIFIED:		APVD			
0 PLC ± - 1 PLC ± 0.35 2 PLC ± 0.25 3 PLC ± 0.15 4 PLC ± - ANGLES ± 3°		PRODUCT SPEC			
MATERIAL SEE NOTE		FINISH SEE NOTE	APPLICATION SPEC	NAME	RESTRICTED TO
		WEIGHT 2.03 GRAMS	SIZE A3	CAGE CODE 00779	DRAWING NO C=1734081
		CUSTOMER DRAWING	SCALE -	SHEET 5 OF 19	REV E1

4

3

2

1

THIS DRAWING IS UNPUBLISHED. RELEASED FOR PUBLICATION  
 © COPYRIGHT - BY - ALL RIGHTS RESERVED.

LOC	DIST	REVISIONS			
P	LTR	DESCRIPTION	DATE	DWN	APVD
		SEE SHEET 1.	-	-	-

RECOMMEND P.C.B LAYOUT (THICKNESS=1.4mm)  
 (COMPONENT SIDE) TOLERANCE±0.05

RECOMMEND P.C.B LAYOUT (THICKNESS=1.4mm)  
 (COMPONENT SIDE) TOLERANCE±0.05

NOTE:

1. MATERIAL:

HOUSING: PA9T WITH 30%GF, UL94V-0, BLACK COLOR.

CONTACT: PHOSPHOR BRONZE.

SHELL: BRASS.

MYLAR: KAPTON, 0.06 THICKNESS

△ FINISH:

CONTACT: 0.762µm [30µ"] MIN. GOLD PLATING ON CONTACT AREA,  
2.54µm [100µ"] MIN. MATTE-TIN PLATING ON SOLDER TAIL,  
WITH ENTIRE CONTACT UNDERPLATED 1.27µm [50µ"] MIN. NICKEL  
SHELL: 1.27µm [50µ"] MIN. NICKEL PLATING.

△ FINISH:

CONTACT: 0.254µm [10µ"] MIN. GOLD PLATING ON CONTACT AREA.  
2.54µm [100µ"] MIN. MATTE-TIN PLATING ON SOLDER TAIL,  
WITH ENTIRE CONTACT UNDERPLATED 1.27µm [50µ"] MIN. NICKEL  
SPUTTERING/BLACK PLATING IN FRONT FLANGE.  
SHELL: 1.27µm [50µ"] MIN. NICKEL PLATING.4. REFLOW SOLDER CAPABLE TO 260°C PER TE CONNECTIVITY TEST SPEC 109-201, CONDITION B.  
△ CONNECTOR MOUNTING WITH ZERO INSERTION FORCE.

△	TAPE&REEL W/O MYLAR	5-1734081-3
△	TAPE&REEL W/ MYLAR	5-1734081-2
△	TAPE&REEL W/ MYLAR	5-1734081-1
FINISH	PACKAGE	PART NUMBER

THIS DRAWING IS A CONTROLLED DOCUMENT.		DWN	TE Connectivity		
DIMENSIONS: MM		CHK	NAME		
TOLERANCES UNLESS OTHERWISE SPECIFIED:		APVD	USB CONNECTOR, RECEPTACLE 4 POSITION, SERIES A		
0 PLC ± -		PRODUCT SPEC	SIZE	CAGE CODE	DRAWING NO
1 PLC ± 0.35		APPLICATION SPEC	1.54 GRAMS	A300779	C=1734081
2 PLC ± 0.25			RESTRICTED TO		
3 PLC ± 0.15					
4 PLC ± -					
ANGLES ± 3°					
MATERIAL SEE NOTE		FINISH SEE NOTE	WEIGHT	SCALE	SHEET
			1.54 GRAMS	-	6 OF 19
			CUSTOMER DRAWING	REV	E1

1470-19 (3/11)

4

3

2

1

THIS DRAWING IS UNPUBLISHED. RELEASED FOR PUBLICATION  
 © COPYRIGHT - BY - ALL RIGHTS RESERVED.

LOC		DIST		REVISIONS			
P	LTR	DESCRIPTION		DATE	DWN	APVD	
	-	SEE SHEET 1.		-	-	-	

TE LOGO & DATE CODE

13.10

14.00

5.00

-X-

NOTE:

- MATERIAL:  
 HOUSING: PA9T WITH 30%GF, UL94V-0, BLACK COLOR.  
 CONTACT: PHOSPHOR BRONZE.  
 SHELL: BRASS.
- FINISH:  
 CONTACT: 0.762µm [30µ"] MIN. GOLD PLATING ON CONTACT AREA,  
 3.048µm [120µ"] MIN. BRIGHT TIN PLATING ON SOLDER TAILS.  
 1.27µm [50µ"] MIN. NICKEL UNDERPLATING OVERALL.  
 SHELL: 0.762µm [30µ"] MIN. NICKEL PLATED OVER  
 0.762µm [30µ"] MIN. Cu UNDERPLATING OVERALL.
- REFLOW SOLDER CAPABLE TO 260°C PER TE CONNECTIVITY SPEC 109-201, CONDITION B.

15.70

0.90 / 2 PLC

2.00

2.50

2.50

1.20 / 2 PLC

2.00 / 2 PLC

14.80

17.30

0.90 / 2 PLC

12.50

11.65

8.4

R0.45

R0.50

Ø0.90±0.08

Ø0.10

4 PLC

RECOMMEND P.C.B LAYOUT (THICKNESS=1.6mm)  
 (COMPONENT SIDE) TOLERANCE±0.05

12.50

2.56

5.12

3.15

PIN#1

PIN#4

0.30

0.15 X

4 PLC

14.40

15.70±0.15

17.30±0.21

0.30

0.15 X

2 PLC

3.90

1.63 / 2 PLC

0.25

4 PLC

2.42

2 PLC

9.90

8.4

12.15

3.10

DETAIL A

2.50

0.60

4 PLC

2.00

2.50

2.50

2.55

DETAIL A  
SCALE 2:1

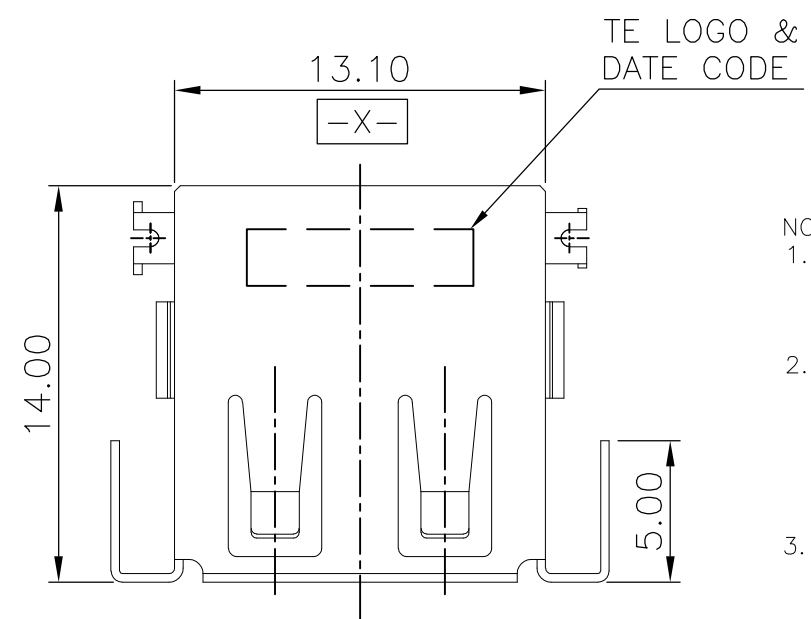
TAPE & REEL	6-1734081-2
TUBE	6-1734081-1
PACKAGE	PART NUMBER

THIS DRAWING IS A CONTROLLED DOCUMENT.		DWN				
		CHK				
DIMENSIONS: MM		APVD	NAME			
 TOLERANCES UNLESS OTHERWISE SPECIFIED: 0 PLC ± - 1 PLC ± 0.35 2 PLC ± 0.25 3 PLC ± 0.15 4 PLC ± - ANGLES ± 3°		PRODUCT SPEC	USB CONNECTOR, RECEPTACLE 4 POSITION, SERIES A			
		APPLICATION SPEC				
MATERIAL	FINISH	WEIGHT	SIZE	CAGE CODE	DRAWING NO	RESTRICTED TO
SEE NOTE	SEE NOTE	1.47 GRAMS	A3	00779	C=1734081	-
CUSTOMER DRAWING		SCALE	SHEET	REV		
		-	7 OF 19	E1		

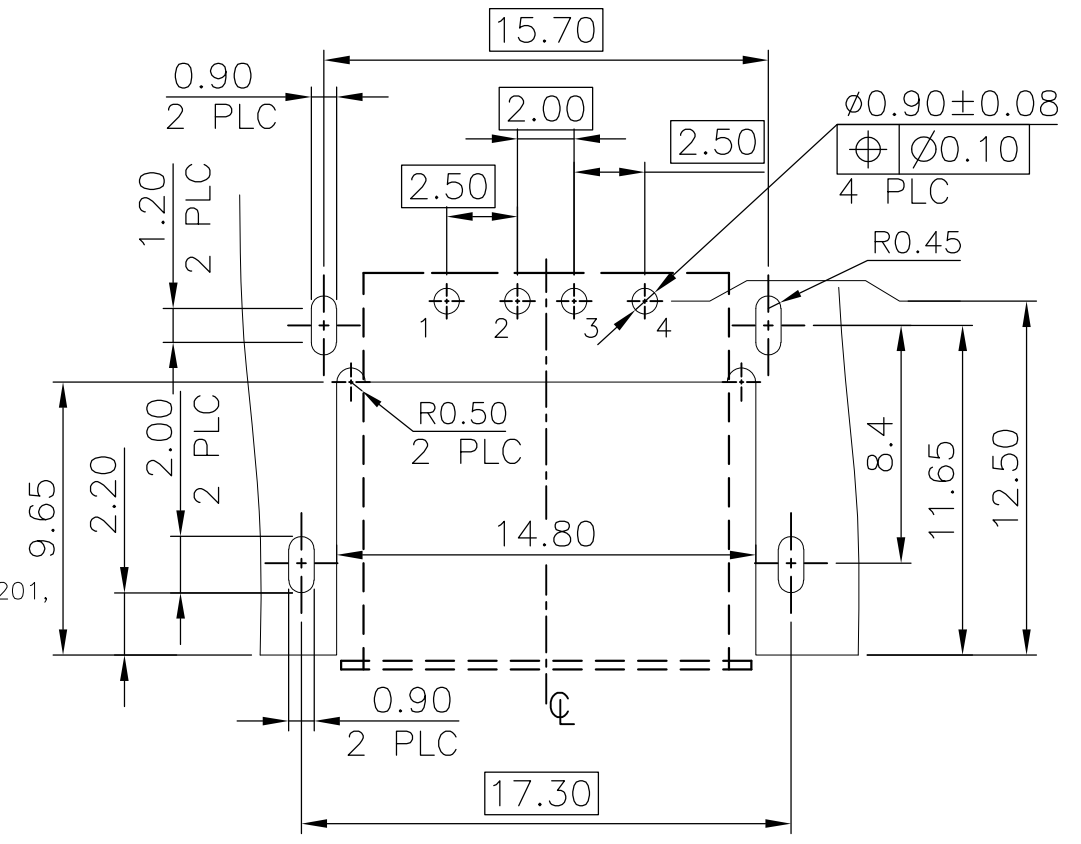
1470-19 (3/11)

THIS DRAWING IS UNPUBLISHED. RELEASED FOR PUBLICATION  
 © COPYRIGHT - BY - ALL RIGHTS RESERVED.

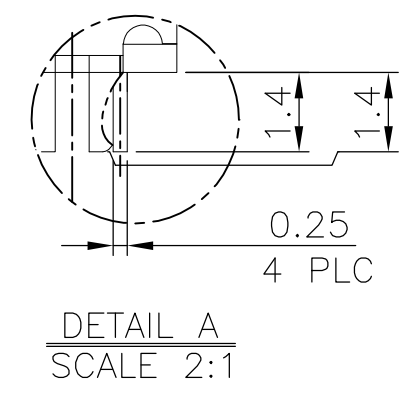
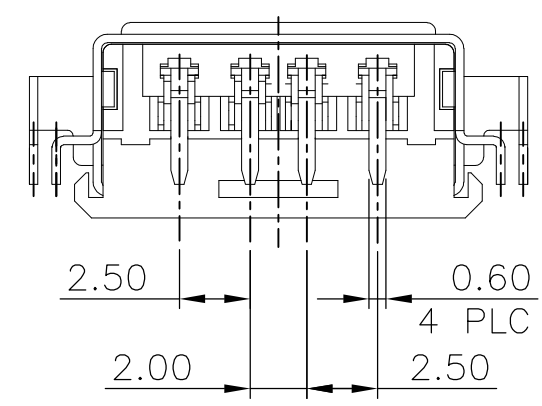
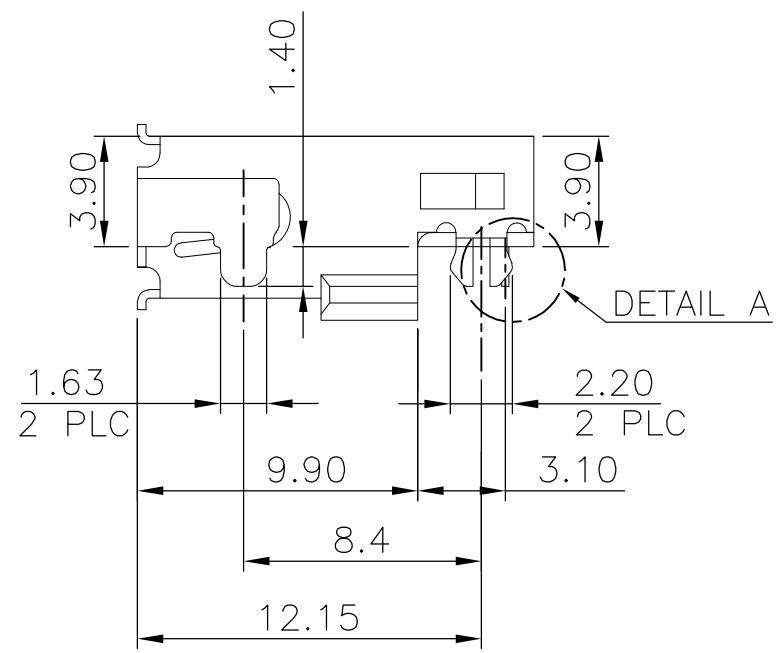
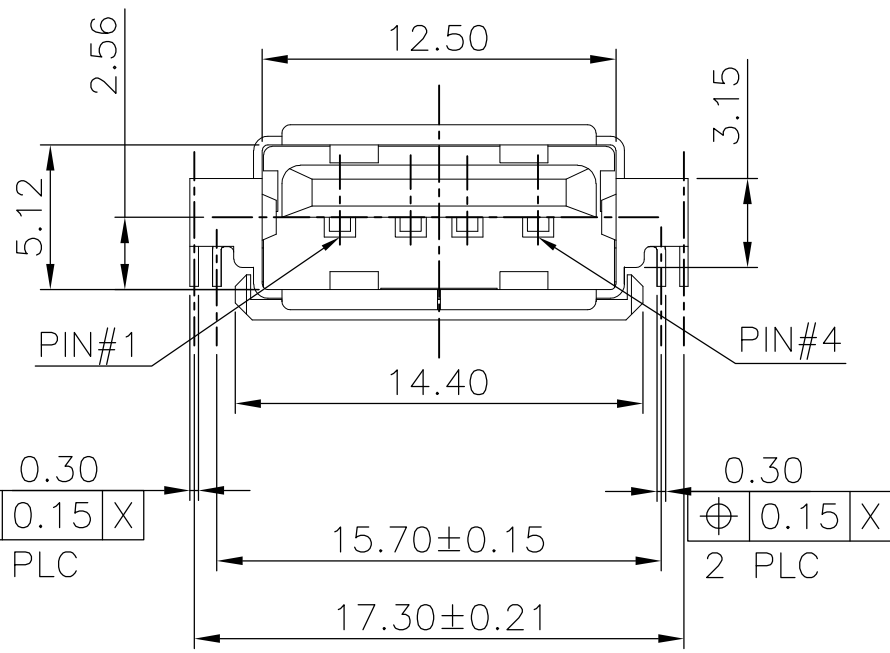
LOC		DIST		REVISIONS			DATE	DWN	APVD
P	LTR	DESCRIPTION							
	-	SEE SHEET 1.			-	-	-	-	



NOTE:  
 1. MATERIAL:  
 HOUSING: PA9T WITH 30%GF, UL94V-0, BLACK COLOR.  
 CONTACT: PHOSPHOR BRONZE.  
 SHELL: BRASS.  
 2. FINISH:  
 CONTACT: 0.762μm [30μ"] MIN. GOLD PLATING ON CONTACT AREA,  
 3.048μm [120μ"] MIN. BRIGHT TIN PLATING ON SOLDERTAILS.  
 1.27μm [50μ"] MIN. NICKEL UNDERPLATING OVERALL.  
 SHELL: 0.762μm [30μ"] MIN. NICKEL PLATED OVER  
 0.762μm [30μ"] MIN. Cu UNDERPLATING OVERALL.  
 3. REFLOW SOLDER CAPABLE TO 260°C PER TE CONNECTIVITY SPEC 109-201,  
 CONDITION B.



RECOMMEND P.C.B LAYOUT (THICKNESS=0.8mm)  
 (COMPONENT SIDE) TOLERANCE ±0.05



TAPE & REEL	6-1734081-3
PACKAGE	PART NUMBER

THIS DRAWING IS A CONTROLLED DOCUMENT.		DWN	TE Connectivity			
DIMENSIONS: MM		CHK				
TOLERANCES UNLESS OTHERWISE SPECIFIED:		APVD	NAME			
0 PLC ± - 1 PLC ± 0.35 2 PLC ± 0.25 3 PLC ± 0.15 4 PLC ± - ANGLES ± 3°		PRODUCT SPEC	USB CONNECTOR, RECEPTACLE 4 POSITION, SERIES A			
MATERIAL: SEE NOTE		APPLICATION SPEC	SIZE	CAGE CODE	DRAWING NO	RESTRICTED TO
FINISH: SEE NOTE		WEIGHT	A3	00779	C-1734081	-
		CUSTOMER DRAWING	SCALE	SHEET	8 OF 19	REV E1



4

3

2

1

THIS DRAWING IS UNPUBLISHED. RELEASED FOR PUBLICATION  
 © COPYRIGHT - BY - ALL RIGHTS RESERVED.

LOC	DIST	REVISIONS			
P	LTR	DESCRIPTION	DATE	DWN	APVD
		SEE SHEET 1.	-	-	-

TE LOGO & DATE CODE

13.1

14.00

14.5

8.40

1.70

2.00

2 PLC

15.70

0.90

2.00

2.50

2.50

2.10

2.50

12.50

12.60

14.80

18.00

9.65

8.15

2.50

R0.50

R0.45

P.C.B. EDGE

CONN. PROFILE

$\phi 0.90 \pm 0.08$

4 PLC

RECOMMEND P.C.B LAYOUT (THICKNESS=1.2mm)  
 (COMPONENT SIDE) TOLERANCE  $\pm 0.05$

12.50

5.12

15.70

PIN#1

PIN#4

6.62

6.52

3.50

3.50

0.25

4 PLC

9.90

3.10

13.10

DETAIL A

2.50

0.60

2.00

2.50

2.00

2.30

0.10

ALL PEGS

DETAIL A

NOTE:

- MATERIAL:  
 HOUSING: PA9T WITH 30%GF, UL 94V-0, BLACK COLOR.  
 CONTACT: PHOSPHOR BRONZE.  
 SHELL: BRASS.
- FINISH:  
 CONTACT:  $0.762\mu\text{m}$  [30 $\mu$ ] MIN. GOLD PLATING ON CONTACT AREA,  
 $3.048\mu\text{m}$  [120 $\mu$ ] MIN. BRIGHT TIN PLATING ON SOLDER TAILS.  
 $1.27\mu\text{m}$  [50 $\mu$ ] MIN. NICKEL UNDERPLATING OVERALL.  
 SHELL:  $0.762\mu\text{m}$  [30 $\mu$ ] MIN. NICKEL PLATED OVER  
 $0.762\mu\text{m}$  [30 $\mu$ ] MIN. Cu UNDERPLATING OVERALL.
- REFLOW SOLDER CAPABLE TO 260°C PER TE CONNECTIVITY SPEC 109-201, CONDITION B.

TAPE & REEL	7-1734081-1
PACKAGE	PART NUMBER

THIS DRAWING IS A CONTROLLED DOCUMENT.		DWN	TE Connectivity														
DIMENSIONS: MM		CHK															
TOLERANCES UNLESS OTHERWISE SPECIFIED:		APVD	NAME														
<table border="1"> <tr> <td>0 PLC</td> <td><math>\pm -</math></td> </tr> <tr> <td>1 PLC</td> <td><math>\pm 0.35</math></td> </tr> <tr> <td>2 PLC</td> <td><math>\pm 0.25</math></td> </tr> <tr> <td>3 PLC</td> <td><math>\pm 0.15</math></td> </tr> <tr> <td>4 PLC</td> <td><math>\pm -</math></td> </tr> <tr> <td>ANGLES</td> <td><math>\pm 3^\circ</math></td> </tr> </table>		0 PLC	$\pm -$	1 PLC	$\pm 0.35$	2 PLC	$\pm 0.25$	3 PLC	$\pm 0.15$	4 PLC	$\pm -$	ANGLES	$\pm 3^\circ$	PRODUCT SPEC	USB CONNECTOR, RECEPTACLE 4 POSITION, SERIES A		
0 PLC	$\pm -$																
1 PLC	$\pm 0.35$																
2 PLC	$\pm 0.25$																
3 PLC	$\pm 0.15$																
4 PLC	$\pm -$																
ANGLES	$\pm 3^\circ$																
MATERIAL		APPLICATION SPEC	SIZE	CAGE CODE	DRAWING NO	RESTRICTED TO											
SEE NOTE	SEE NOTE	WEIGHT	A3	00779	C=1734081	-											
CUSTOMER DRAWING			SCALE	SHEET	REV												
			-	9 OF 19	E1												

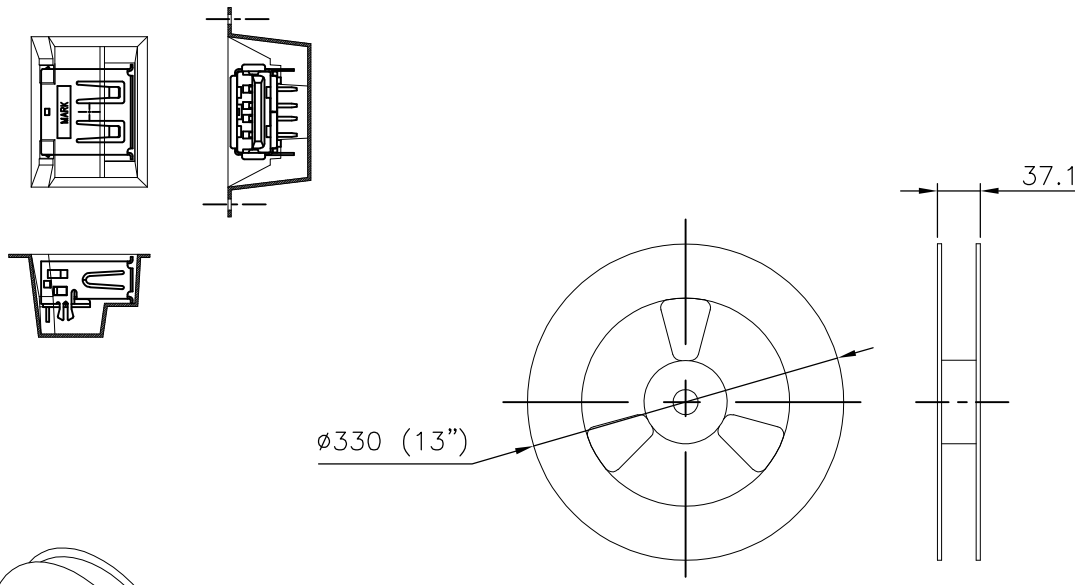
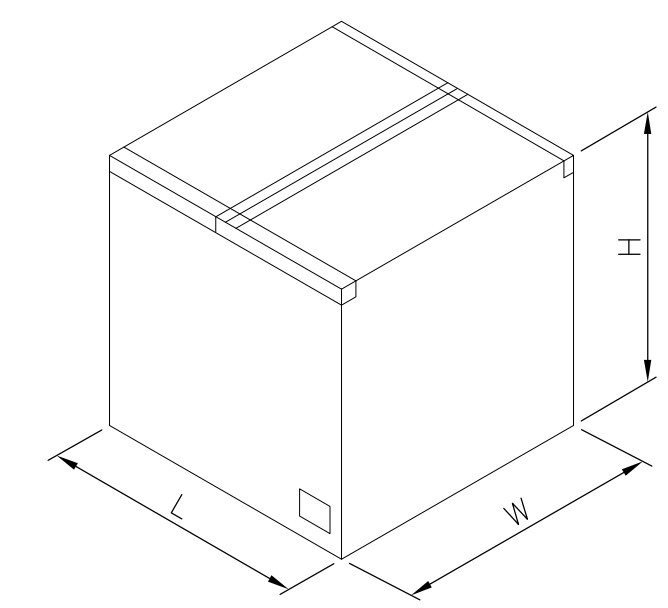
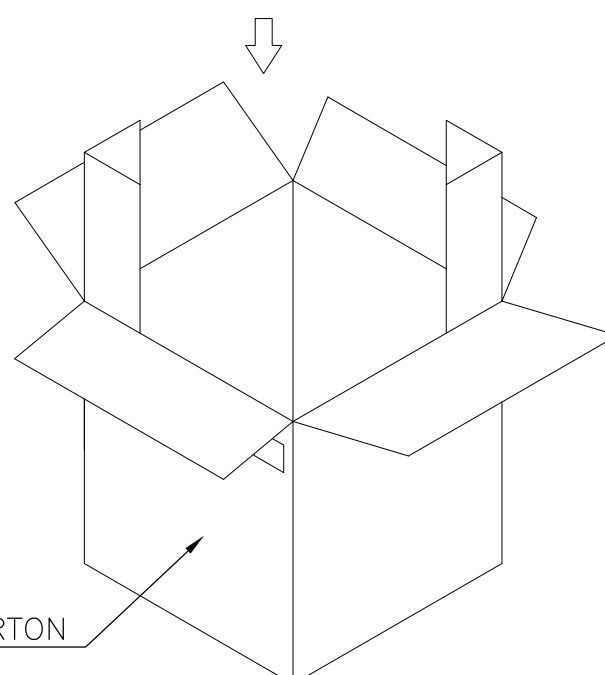
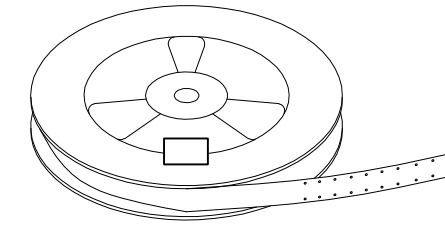
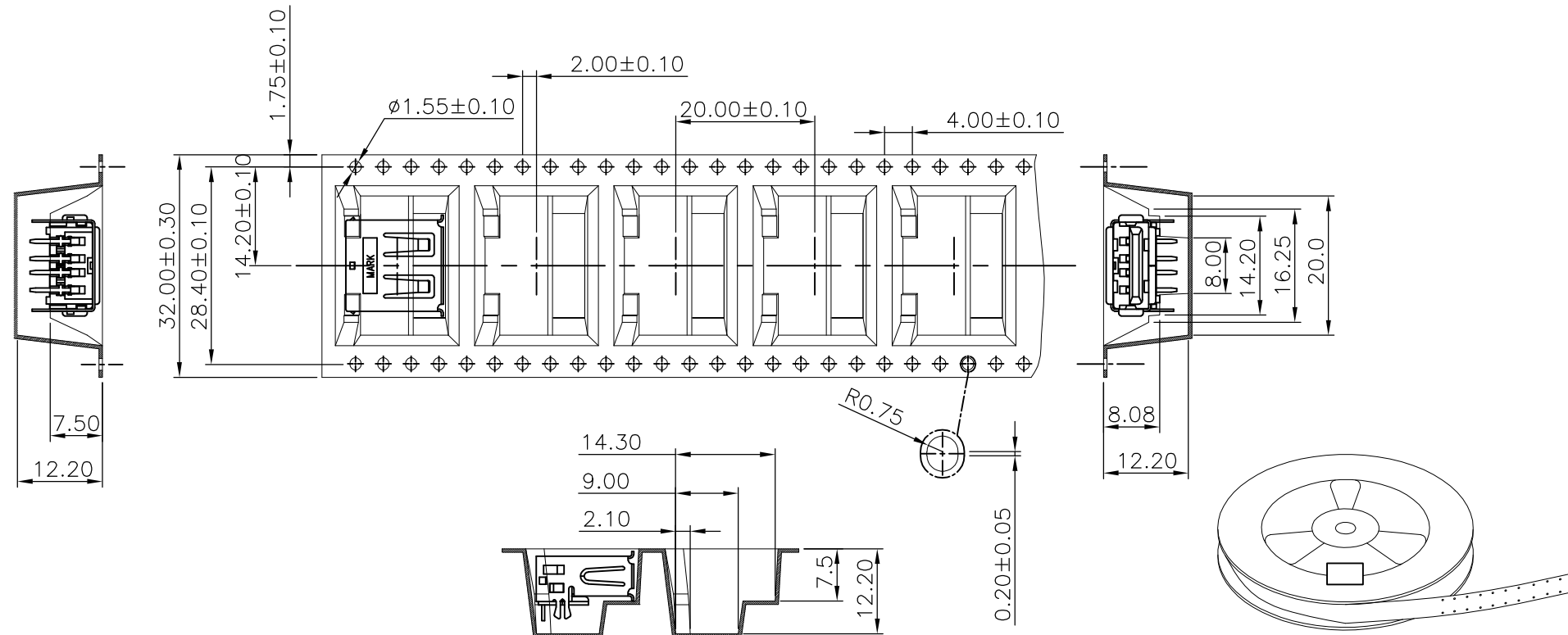
1470-19 (3/11)

THIS DRAWING IS UNPUBLISHED. RELEASED FOR PUBLICATION  
 © COPYRIGHT - BY - ALL RIGHTS RESERVED.

LOC		DIST		REVISIONS				
P	LTR	DESCRIPTION			DATE	DWN	APVD	
-	-	SEE SHEET 1.			-	-	-	

NOTES:

- MATERIAL:  
 REEL: PS.  
 EMBOSSED CARRIER: PS.  
 COVER TAPE: PBT.
- DIMENSION :  
 TAPE REEL:  $\phi 330\text{mm} \times 37.1\text{mm}$   
 SHIPPING CARTON: L=350mm,W=350mm, H=350mm
- QUANTITY :  
 PRIMARY PACKING: 250PCS/REEL  
 SECONDARY PACKING: 9 REELS/CARTON(2,250PCS).
- WEIGHT :  
 NET WEIGHT: 0.50 KG/REEL, 4.52 KG/CARTON.  
 GROSS WEIGHT: 1.00 KG/REEL, 9.50 KG/CARTON.
- PEELING RESISTANCE: 20G TO 130G.
- PEELING SPEED: 300MM/MIN.



SHIPPING CARTON

9.50 Kg	4.52 Kg	250	9	2250	1-1734081-4
					1-1734081-3
					1-1734081-2
GROSS WEIGHT	NET WEIGHT	PCS/REEL	REELS/CARTON	QUANTITY	PART NUMBER

THIS DRAWING IS A CONTROLLED DOCUMENT.		DWN	TE Connectivity		
DIMENSIONS: MM		CHK	NAME		
TOLERANCES UNLESS OTHERWISE SPECIFIED:		APVD	USB CONNECTOR, RECEPTACLE 4 POSITION, SERIES A		
0 PLC ± -		PRODUCT SPEC	SIZE CAGE CODE DRAWING NO RESTRICTED TO		
1 PLC ± -		APPLICATION SPEC	A3 00779 C=1734081		
2 PLC ± -		WEIGHT	CUSTOMER DRAWING SCALE SHEET 10 OF 19 REV E1		
3 PLC ± -					
4 PLC ± -					
ANGLES ± -					
FINISH					
MATERIAL					

THIS DRAWING IS UNPUBLISHED.

RELEASED FOR PUBLICATION

ALL RIGHTS RESERVED.

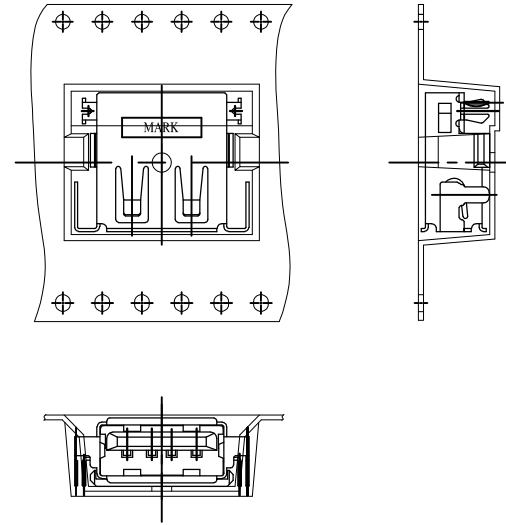
© COPYRIGHT - BY -

LOC  
DW

DIST

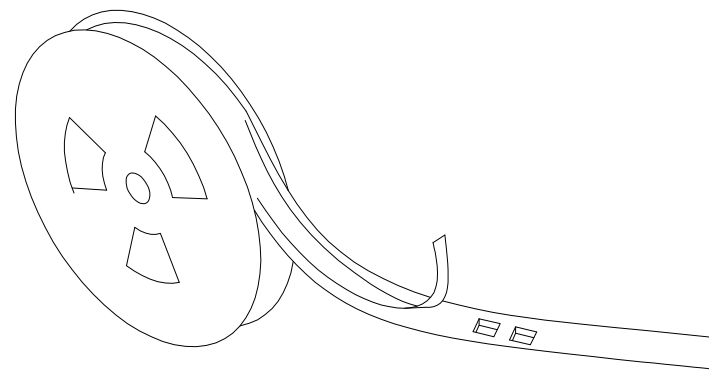
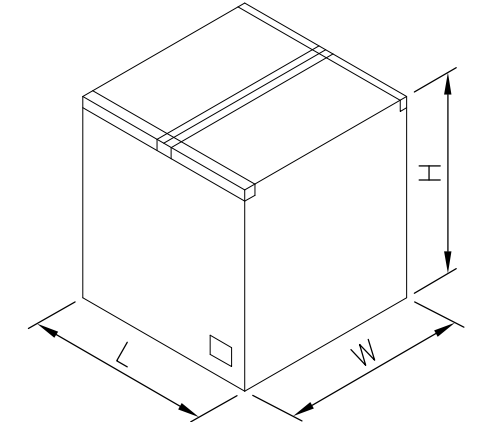
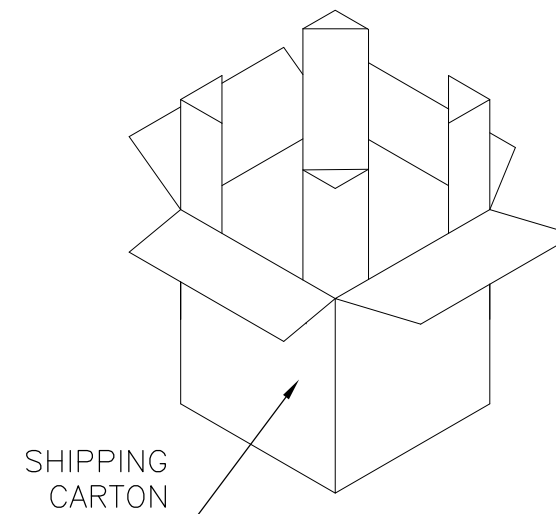
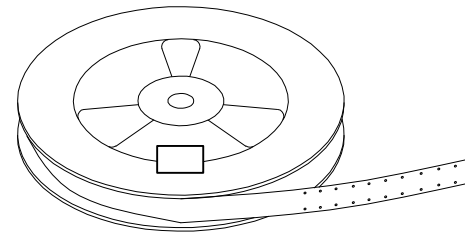
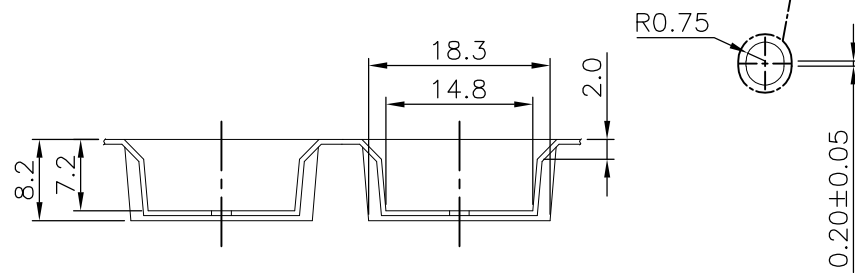
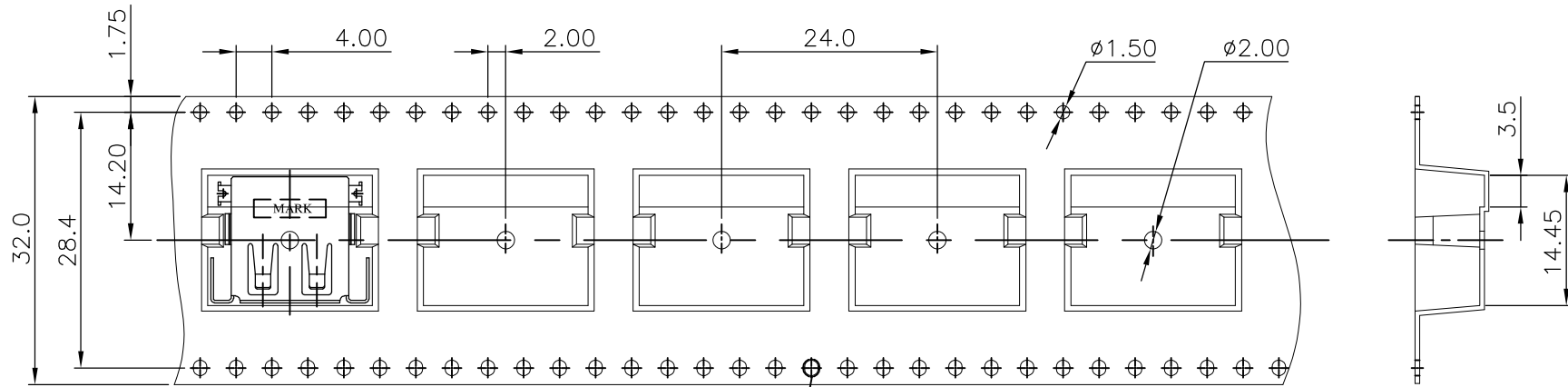
REVISIONS

P	LTR	DESCRIPTION	DATE	DWN	APVD
-	-	SEE SHEET 1.	-	-	-



NOTES:

- MATERIAL:  
REEL: PS.  
EMBOSSED CARRIER: PS.  
COVER TAPE: PBT.
- DIMENSION :  
TAPE REEL:  $\phi 330\text{mm} \times 37.1\text{mm}$   
SHIPPING CARTON: L=350mm,W=350mm, H=350mm
- QUANTITY :  
PRIMARY PACKING: 300PCS/REEL  
SECONDARY PACKING: 8 REELS/CARTON(2,400PCS).
- WEIGHT :  
NET WEIGHT: 0.44KG/REEL, 4.00 KG/CARTON.  
GROSS WEIGHT: 1.81 KG/REEL, 9.05 KG/CARTON.
- PEELING RESISTANCE: 20G TO 130G.
- PEELING SPEED: 300MM/MIN.



9.05 Kg	4.00 Kg	300	8	2400	6-1734081-2
GROSS WEIGHT	NET WEIGHT	PCS/REEL	REELS/CARTON	QUANTITY	PART NUMBER

THIS DRAWING IS A CONTROLLED DOCUMENT.		DWN	 TE Connectivity NAME USB CONNECTOR, RECEPTACLE 4 POSITION, SERIES A				
DIMENSIONS: MM		CHK					
TOLERANCES UNLESS OTHERWISE SPECIFIED:		APVD					
0 PLC $\pm -$ 1 PLC $\pm -$ 2 PLC $\pm -$ 3 PLC $\pm -$ 4 PLC $\pm -$ ANGLES $\pm -$		PRODUCT SPEC					
MATERIAL		FINISH	APPLICATION SPEC	SIZE	CAGE CODE	DRAWING NO	RESTRICTED TO
CUSTOMER DRAWING			WEIGHT	A3	00779	C=1734081	-
			SCALE	-	SHEET	11 OF 19	REV E1

4

3

2

1

THIS DRAWING IS UNPUBLISHED.

RELEASED FOR PUBLICATION

ALL RIGHTS RESERVED.

© COPYRIGHT - BY -

LOC  
DWDIST  
/

REVISIONS

P	LTR	DESCRIPTION	DATE	DWN	APVD
-	-	SEE SHEET 1.	-	-	-

 $0.20 \pm 0.05$ 


SHIPPING  
CARTON

NOTES:

- MATERIAL:  
REEL: PS.  
EMBOSSED CARRIER: PS.  
COVER TAPE: PBT.
- DIMENSION :  
TAPE REEL:  $\phi 330\text{mm} \times 37.1\text{mm}$   
SHIPPING CARTON: L=350mm, W=350mm, H=350mm
- QUANTITY :  
PRIMARY PACKING: 300PCS/REEL  
SECONDARY PACKING: 8 REELS/CARTON(2,400PCS).
- WEIGHT :  
NET WEIGHT: 0.44KG/REEL, 4.00 KG/CARTON.  
GROSS WEIGHT: 1.81 KG/REEL, 9.05 KG/CARTON.
- PEELING RESISTANCE: 20G TO 130G.
- PEELING SPEED: 300MM/MIN.

9.05 Kg	4.00 Kg	300	8	2400	6-1734081-3
GROSS WEIGHT	NET WEIGHT	PCS/REEL	REELS/CARTON	QUANTITY	PART NUMBER

THIS DRAWING IS A CONTROLLED DOCUMENT.

DIMENSIONS:  
MM

TOLERANCES UNLESS  
OTHERWISE SPECIFIED:

0 PLC	$\pm$
1 PLC	$\pm$
2 PLC	$\pm$
3 PLC	$\pm$
4 PLC	$\pm$
ANGLES	$\pm$
FINISH	-

MATERIAL

DWN

CHK

APVD

PRODUCT SPEC

APPLICATION SPEC

WEIGHT

CUSTOMER DRAWING

NAME

USB CONNECTOR, RECEPTACLE  
4 POSITION, SERIES A

SIZE

CAGE CODE

DRAWING NO

RESTRICTED TO

A3

00779

C=1734081

SCALE

SHEET

12 OF 19

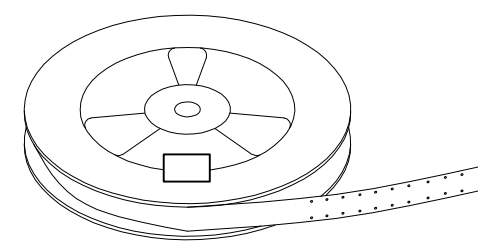
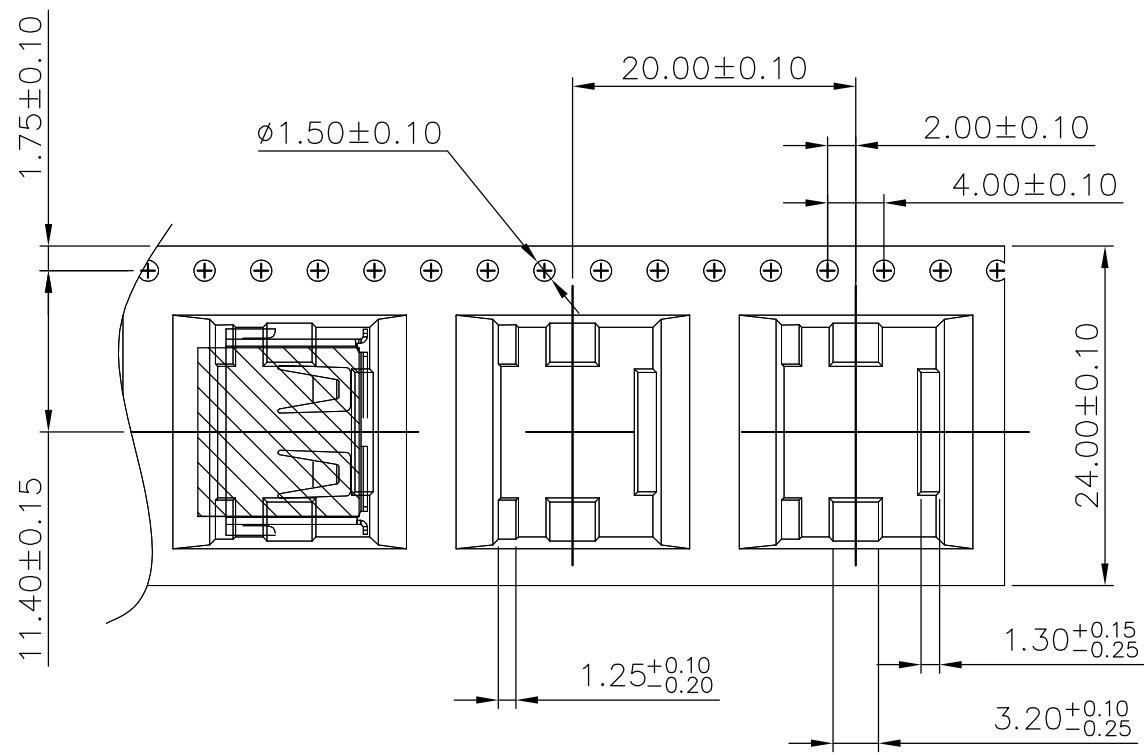
REV

E1

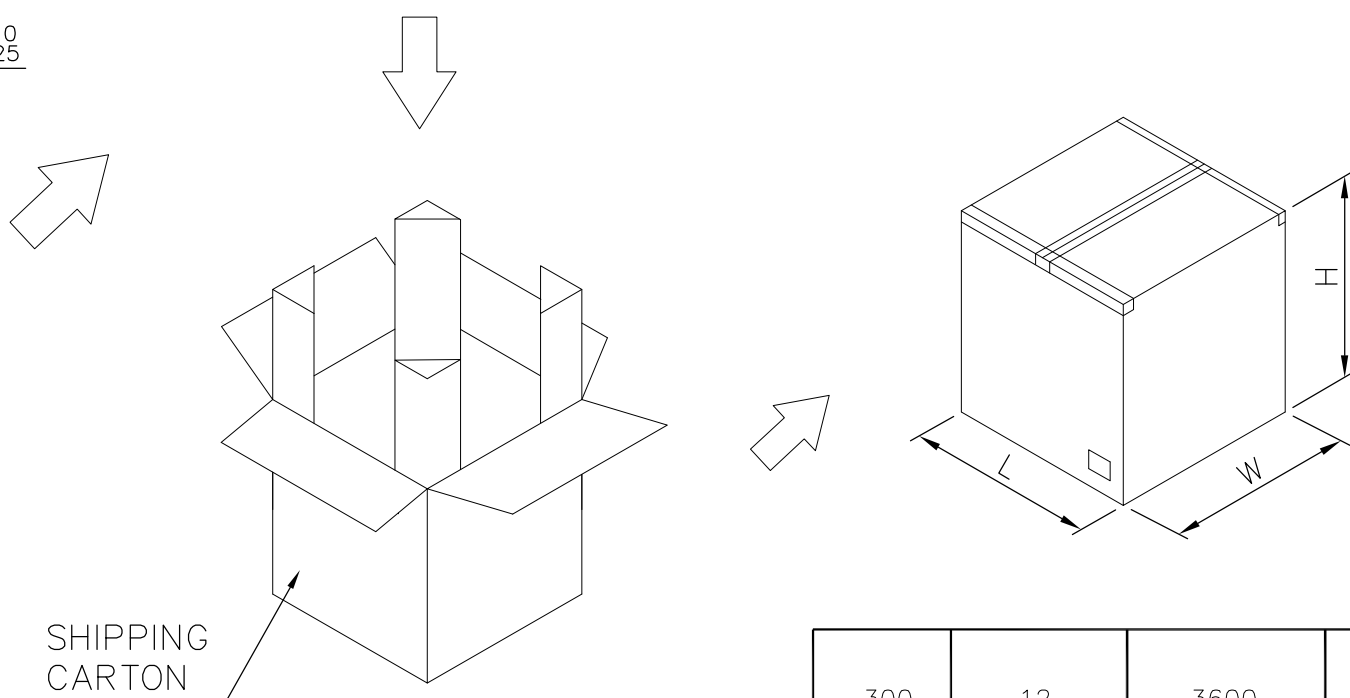
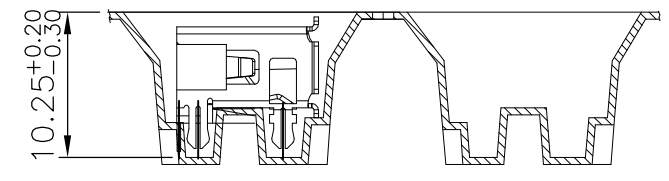
1470-19 (3/11)

THIS DRAWING IS UNPUBLISHED. RELEASED FOR PUBLICATION  
 © COPYRIGHT - BY - ALL RIGHTS RESERVED.

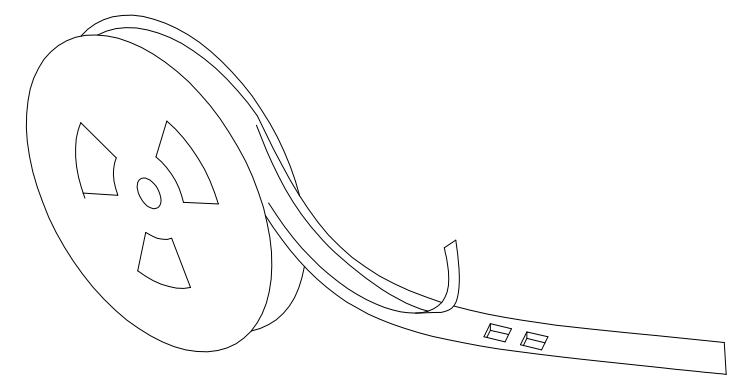
LOC	DIST	REVISIONS				
P	LTR	DESCRIPTION	DATE	DWN	APVD	
	-	SEE SHEET 1.	-	-	-	



- NOTES:
- MATERIAL:  
 REEL: PS.  
 EMBOSSED CARRIER: PS.  
 COVER TAPE: PBT.
  - DIMENSION :  
 TAPE REEL:  $\phi 330\text{mm} \times 29.5\text{mm}$   
 SHIPPING CARTON: L=350mm, W=350mm, H=400mm
  - QUANTITY :  
 PRIMARY PACKING: 300PCS/REEL  
 SECONDARY PACKING: 12 REELS/CARTON(3600PCS).
  - WEIGHT :  
 NET WEIGHT: 0.46 KG/REEL, 5.55 KG/CARTON.  
 GROSS WEIGHT: 0.89 KG/REEL, 10.65 KG/CARTON.
  - PEELING RESISTANCE: 20G TO 130G.
  - PEELING SPEED: 300MM/MIN.



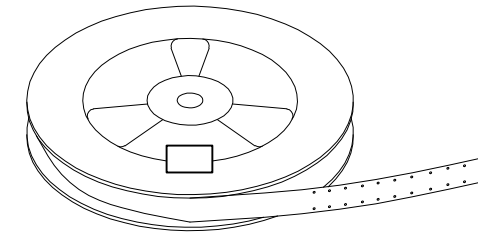
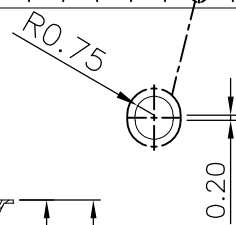
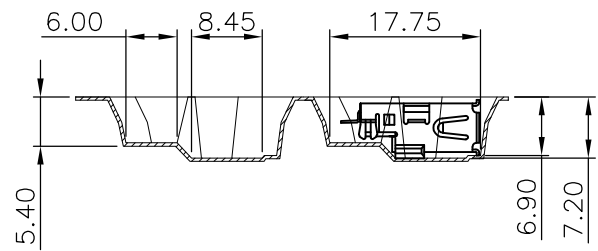
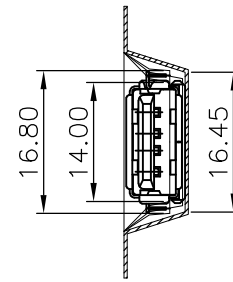
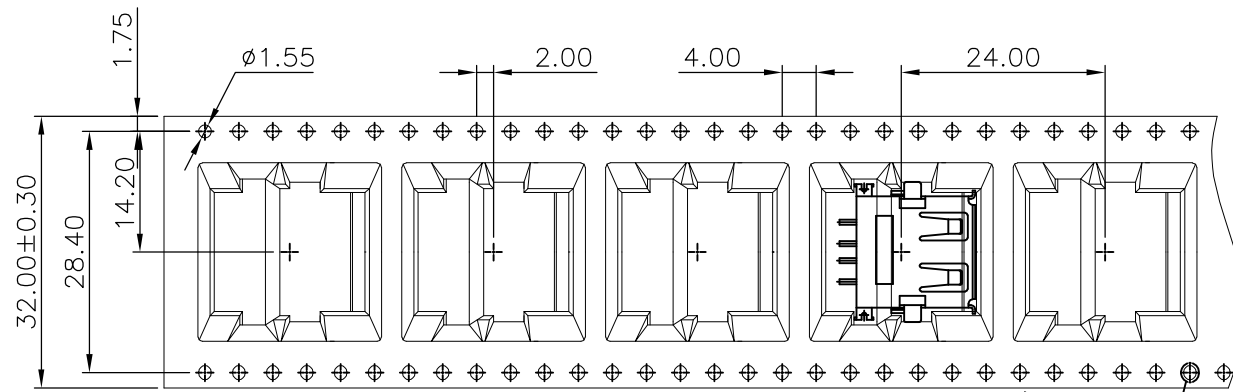
300	12	3600	10.65	5.55	5-1734081-3
					5-1734081-2
					5-1734081-1
PCS/ REEL	REELS/ BOX	QUANTITY (PCS)	G/W (Kg)	N/W (Kg)	PART NUMBER



THIS DRAWING IS A CONTROLLED DOCUMENT.		DWN			
DIMENSIONS: MM		CHK			
TOLERANCES UNLESS OTHERWISE SPECIFIED:		APVD	NAME		
0 PLC ± -		PRODUCT SPEC	USB CONNECTOR, RECEPTACLE 4 POSITION, SERIES A		
1 PLC ± -		APPLICATION SPEC			
2 PLC ± -		WEIGHT	SIZE	CAGE CODE	DRAWING NO
3 PLC ± -		CUSTOMER DRAWING	A3	00779	C=1734081
4 PLC ± -			SCALE	SHEET	REV
ANGLES ± -			-	13 OF 19	E1
FINISH					

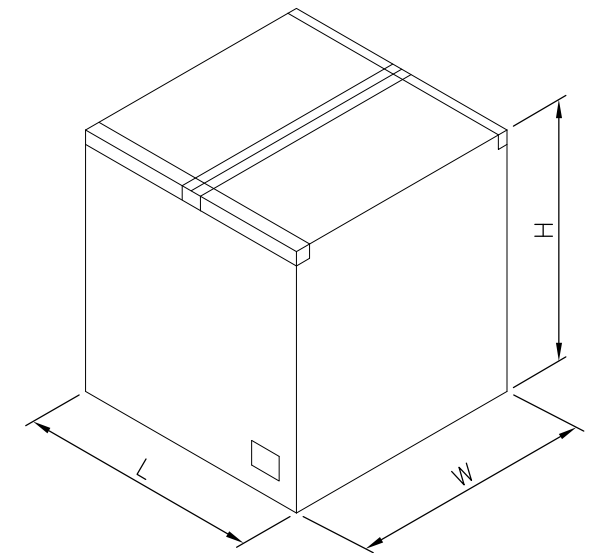
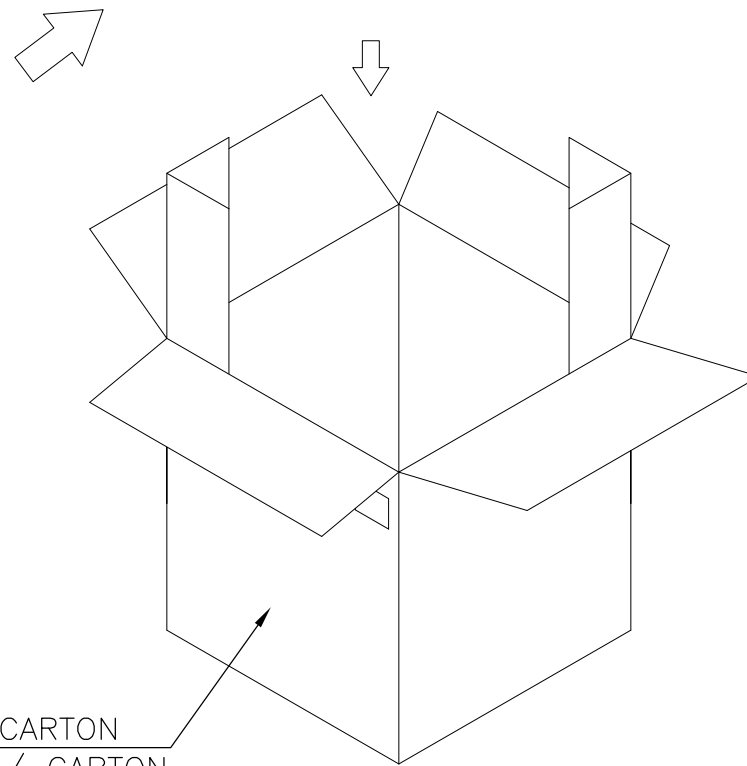
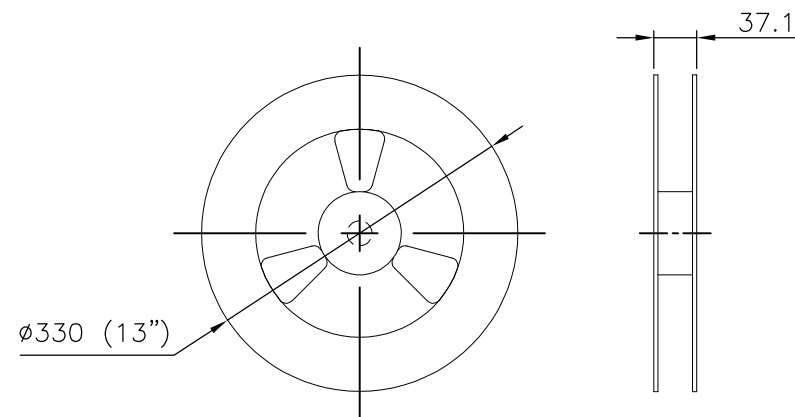
THIS DRAWING IS UNPUBLISHED. RELEASED FOR PUBLICATION  
 © COPYRIGHT - BY - ALL RIGHTS RESERVED.

LOC		DIST		REVISIONS				
P	LTR	DESCRIPTION			DATE	DWN	APVD	
	-	SEE SHEET 1.			-	-	-	



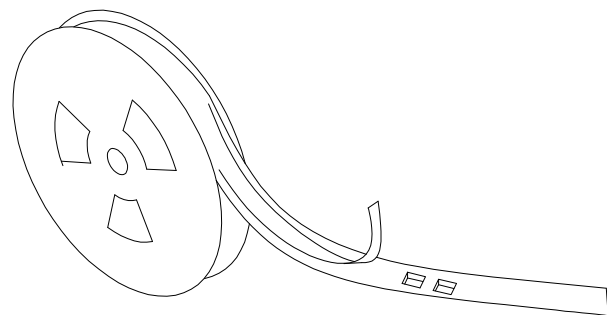
NOTES:

- MATERIAL:  
 REEL: PS.  
 EMBOSSED CARRIER: PS.  
 COVER TAPE: PBT.
- DIMENSION :  
 TAPE REEL:  $\phi 330\text{mm} \times 37.1\text{mm}$   
 SHIPPING CARTON: L=350mm,W=350mm, H=350mm
- QUANTITY :  
 PRIMARY PACKING: 350PCS/REEL  
 SECONDARY PACKING: 9 REELS/CARTON.(3150 PCS)
- WEIGHT :  
 NET WEIGHT: 4.85 kg .  
 GROSS WEIGHT: 9.85 kg .
- PEELING RESISTANCE: 20G TO 130G.
- PEELING SPEED: 300MM/MIN.



SHIPPING CARTON  
 9 TAPE-REEL/ CARTON

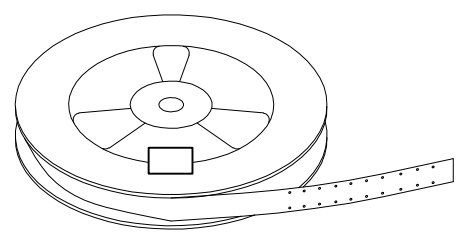
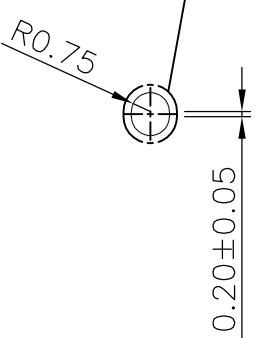
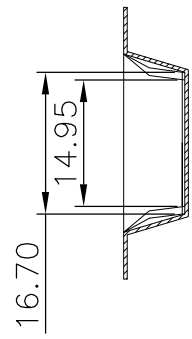
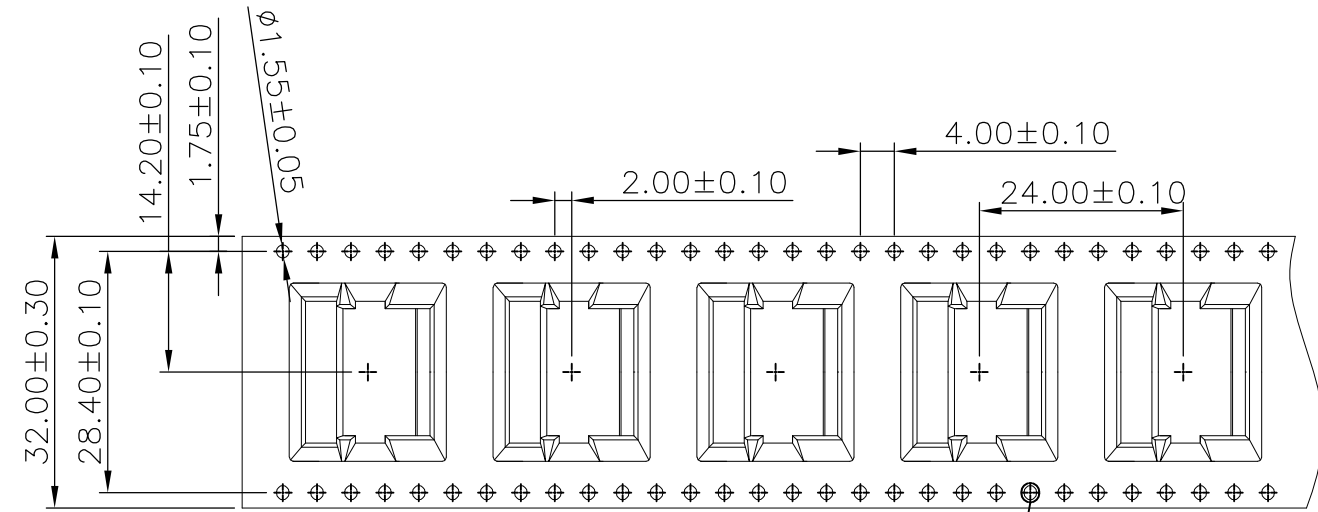
9.85 Kg	4.85 Kg	350	9	3150	3-1734081-1
GROSS WEIGHT	NET WEIGHT	PCS/REEL	REELS/CARTON	QUANTITY	PART NUMBER



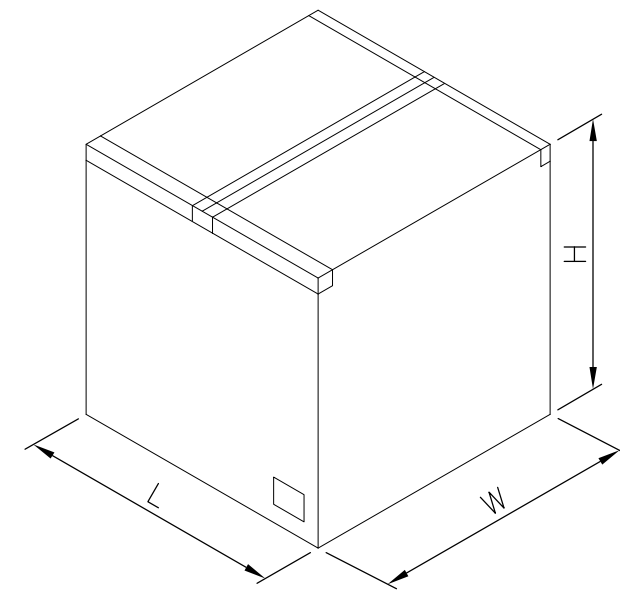
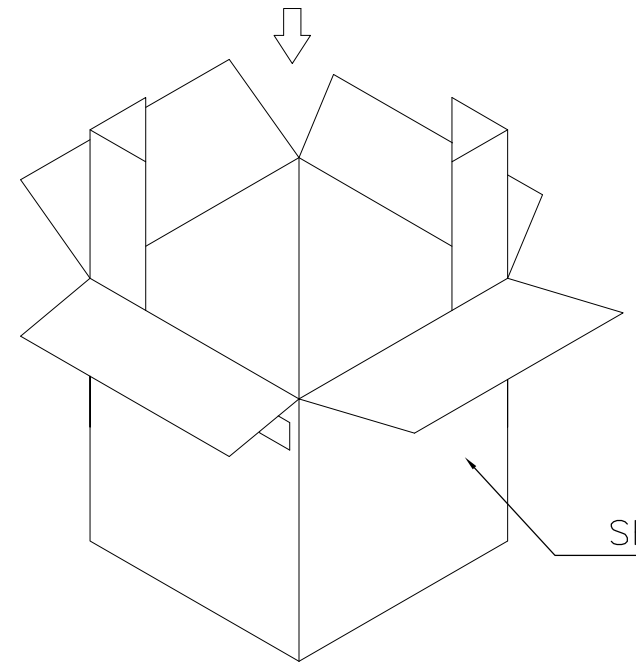
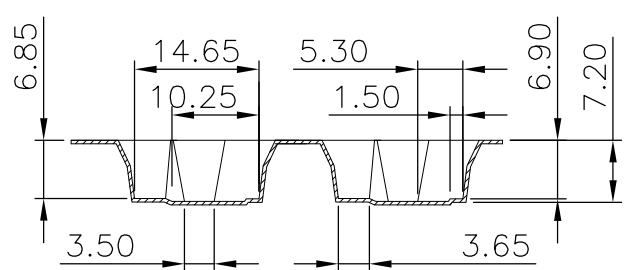
THIS DRAWING IS A CONTROLLED DOCUMENT.		DWN		 TE Connectivity USB CONNECTOR, RECEPTACLE 4 POSITION, SERIES A			
DIMENSIONS: MM		CHK				NAME	
TOLERANCES UNLESS OTHERWISE SPECIFIED: 0 PLC ± - 1 PLC ± - 2 PLC ± - 3 PLC ± - 4 PLC ± - ANGLES ± - MATERIAL FINISH		APVD				SIZE	
		PRODUCT SPEC				CAGE CODE	
		APPLICATION SPEC		DRAWING NO			
		WEIGHT		RESTRICTED TO			
CUSTOMER DRAWING		SCALE		SHEET 14 OF 19			
				REV E1			

THIS DRAWING IS UNPUBLISHED. RELEASED FOR PUBLICATION  
 © COPYRIGHT - BY - ALL RIGHTS RESERVED.

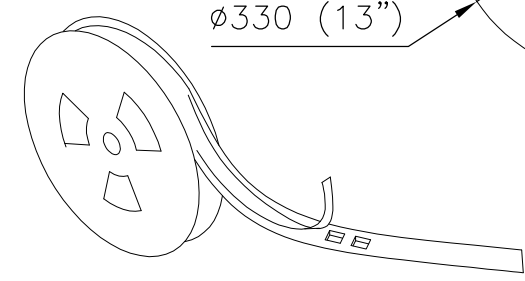
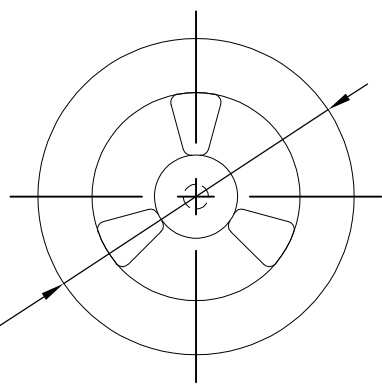
LOC		DIST		REVISIONS				
P	LTR	DESCRIPTION			DATE	DWN	APVD	
-	-	SEE SHEET 1.			-	-	-	



- NOTES:
- MATERIAL:  
 REEL: PS.  
 EMBOSSED CARRIER: PS.  
 COVER TAPE: PBT.
  - DIMENSION :  
 TAPE REEL:  $\phi 330\text{mm} \times 37.1\text{mm}$   
 SHIPPING CARTON: L=350mm, W=350mm, H=350mm
  - QUANTITY :  
 PRIMARY PACKING: 350PCS/REEL  
 SECONDARY PACKING: 9 REELS/CARTON(3,150PCS).
  - WEIGHT :  
 NET WEIGHT: 0.55 KG/REEL, 4.85 KG/CARTON.  
 GROSS WEIGHT: 1.09 KG/REEL, 9.85 KG/CARTON.
  - PEELING RESISTANCE: 20G TO 130G.
  - PEELING SPEED: 300MM/MIN.



SHIPPING CARTON

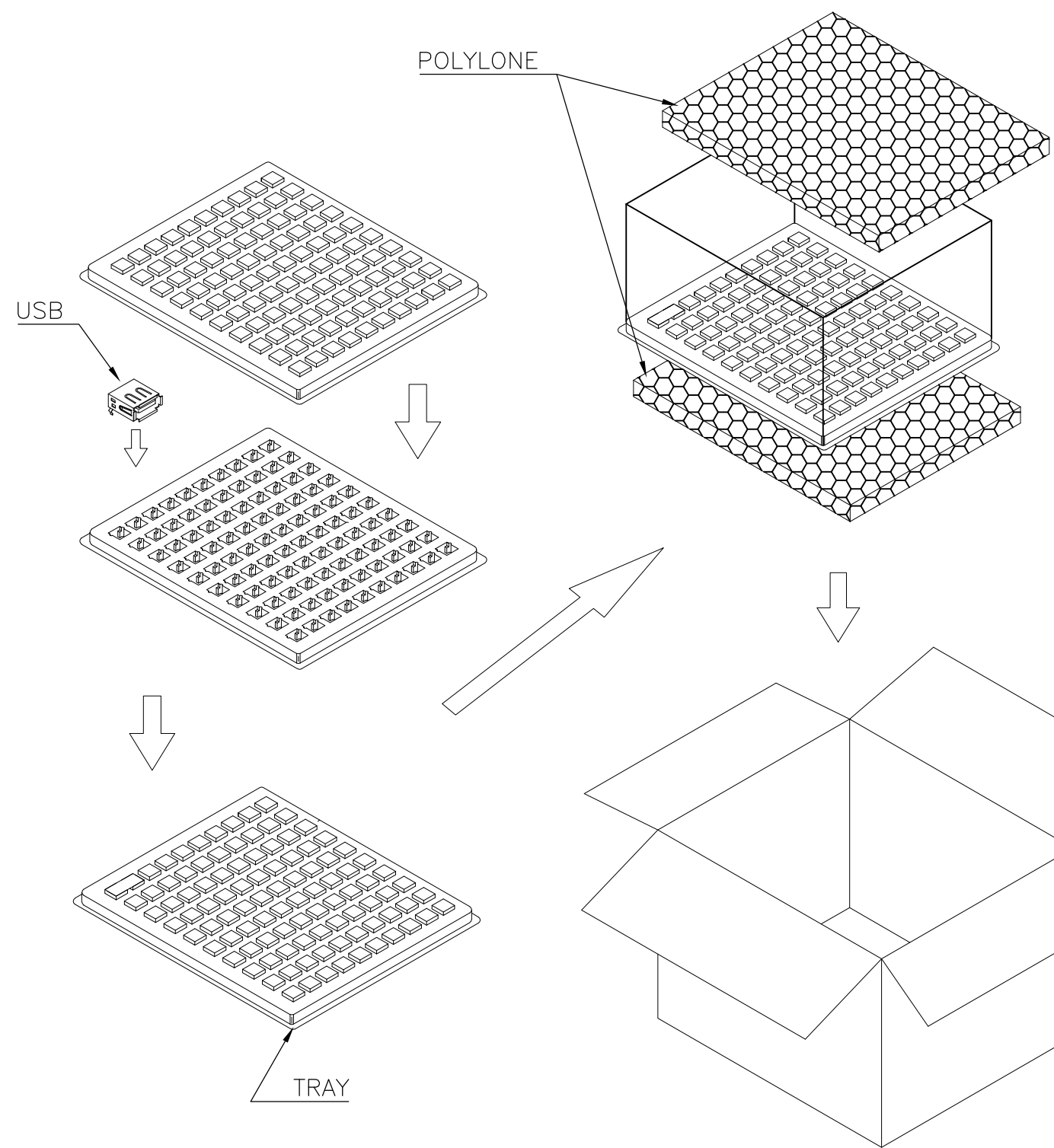


9.85 Kg	4.85 Kg	350	9	3150	7-1734081-1
GROSS WEIGHT	NET WEIGHT	PCS/REEL	REELS/CARTON	QUANTITY	PART NUMBER
					2-1734081-3

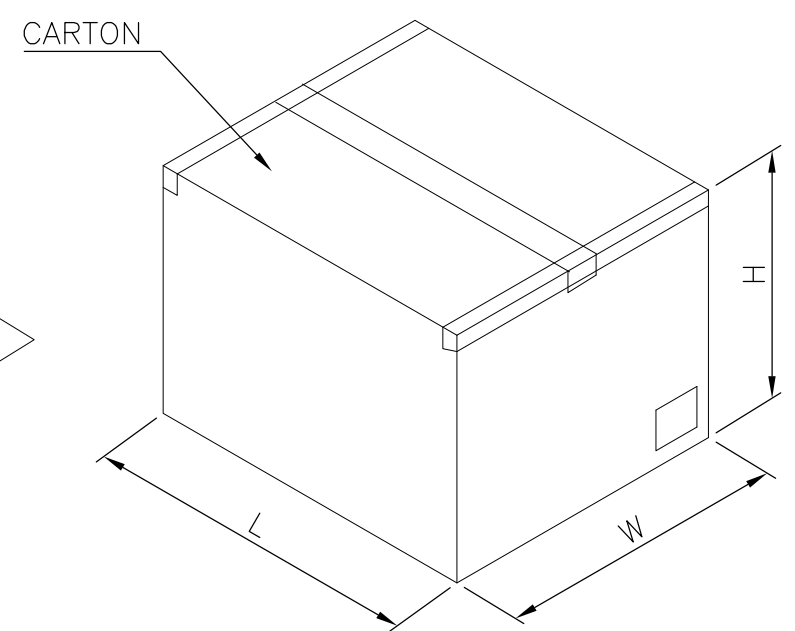
THIS DRAWING IS A CONTROLLED DOCUMENT.		DWN	 TE Connectivity USB CONNECTOR, RECEPTACLE 4 POSITION, SERIES A			
DIMENSIONS: MM		CHK				
TOLERANCES UNLESS OTHERWISE SPECIFIED:		APVD				
0 PLC ± - 1 PLC ± - 2 PLC ± - 3 PLC ± - 4 PLC ± - ANGLES ± - FINISH ± -		PRODUCT SPEC				
MATERIAL		APPLICATION SPEC	SIZE	CAGE CODE	DRAWING NO	RESTRICTED TO
		WEIGHT	A3	00779	C=1734081	-
CUSTOMER DRAWING			SCALE	SHEET	REV	
			-	15 OF 19	E1	

THIS DRAWING IS UNPUBLISHED.      RELEASED FOR PUBLICATION      - . - .  
 © COPYRIGHT - BY -      ALL RIGHTS RESERVED.

LOC	DIST	REVISIONS					
		P	LTR	DESCRIPTION	DATE	DWN	APVD
DW	/	-	-	SEE SHEET 1.	-	-	-



- NOTES:
- DIMENSION :  
 TRAY : L=295mm, W=252mm, H=14mm  
 SHIPPING CARTON: L=315mm, W=270mm, H=200mm  
 POLYSTYRENE : L=290mm, W=250mm, H=10mm
  - QUANTITY :  
 PRIMARY PACKING: 100 PCS/TRAY  
 SECONDARY PACKING: 10 TRAYS/CARTON  
 (1,000PCS)
  - WEIGHT :  
 NET WEIGHT: 2.03KG/CARTON.  
 GROSS WEIGHT: 3.10KG/CARTON.



3.10 Kg	2.03 Kg	100	10	1000	4-1734081-2
					4-1734081-1
					1-1734081-1
					1734081-2
					1734081-1
GROSS WEIGHT	NET WEIGHT	PCS/TRAY	TRAY /CARTON	QUANTITY	PART NUMBER

THIS DRAWING IS A CONTROLLED DOCUMENT.		DWN			
DIMENSIONS: MM		CHK			
		TOLERANCES UNLESS OTHERWISE SPECIFIED:		NAME	
MATERIAL		FINISH		USB CONNECTOR, RECEPTACLE 4 POSITION, SERIES A	
		0 PLC ± - 1 PLC ± - 2 PLC ± - 3 PLC ± - 4 PLC ± - ANGLES ± -		PRODUCT SPEC APPLICATION SPEC	
		CUSTOMER DRAWING		SIZE: A3    CAGE CODE: 00779    DRAWING NO: C=1734081    RESTRICTED TO: -	
				WEIGHT: -    SCALE: -    SHEET: 16 OF 19    REV: E1	



THIS DRAWING IS UNPUBLISHED.

RELEASED FOR PUBLICATION

-. -. .

LOC

DIST

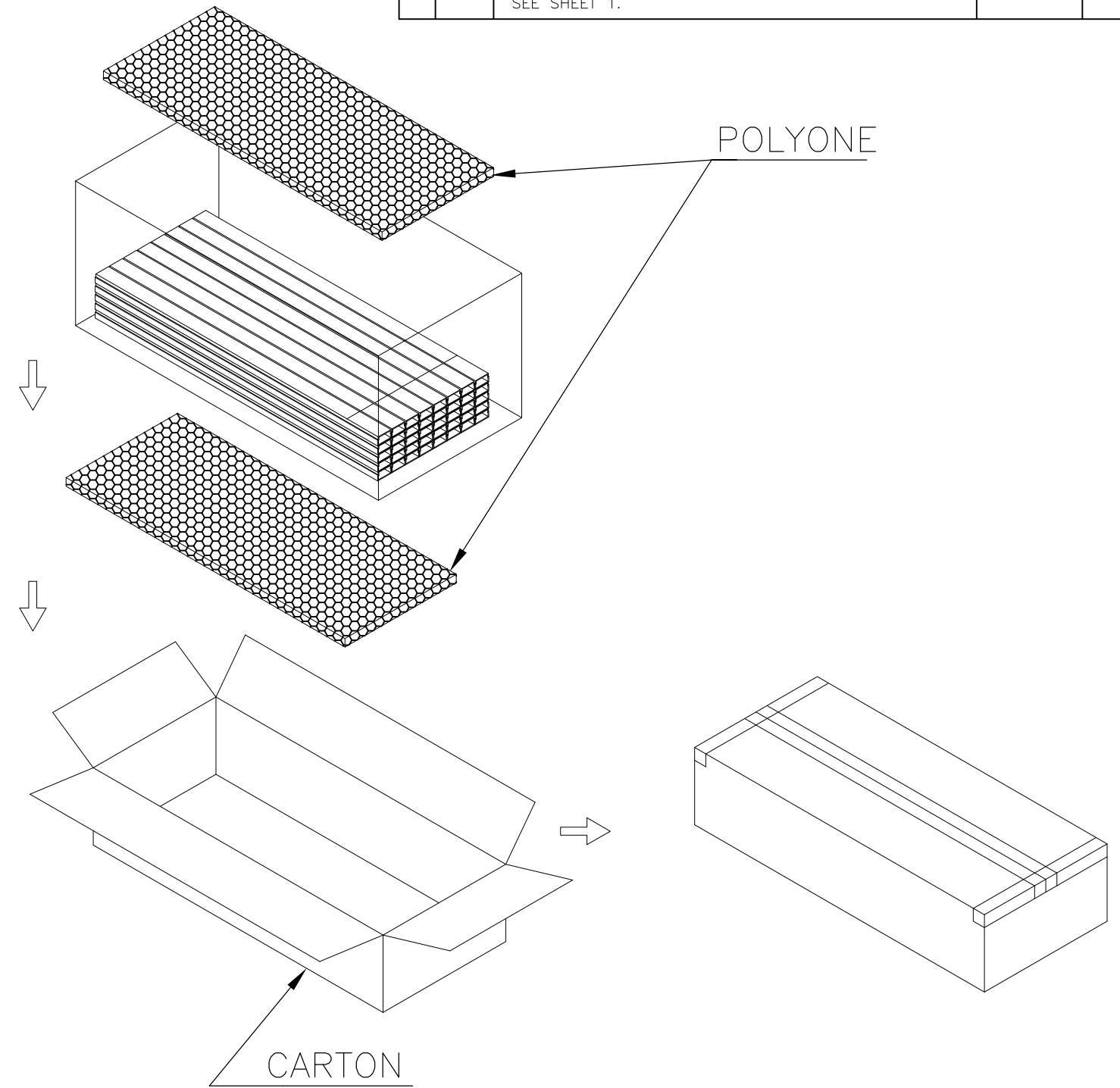
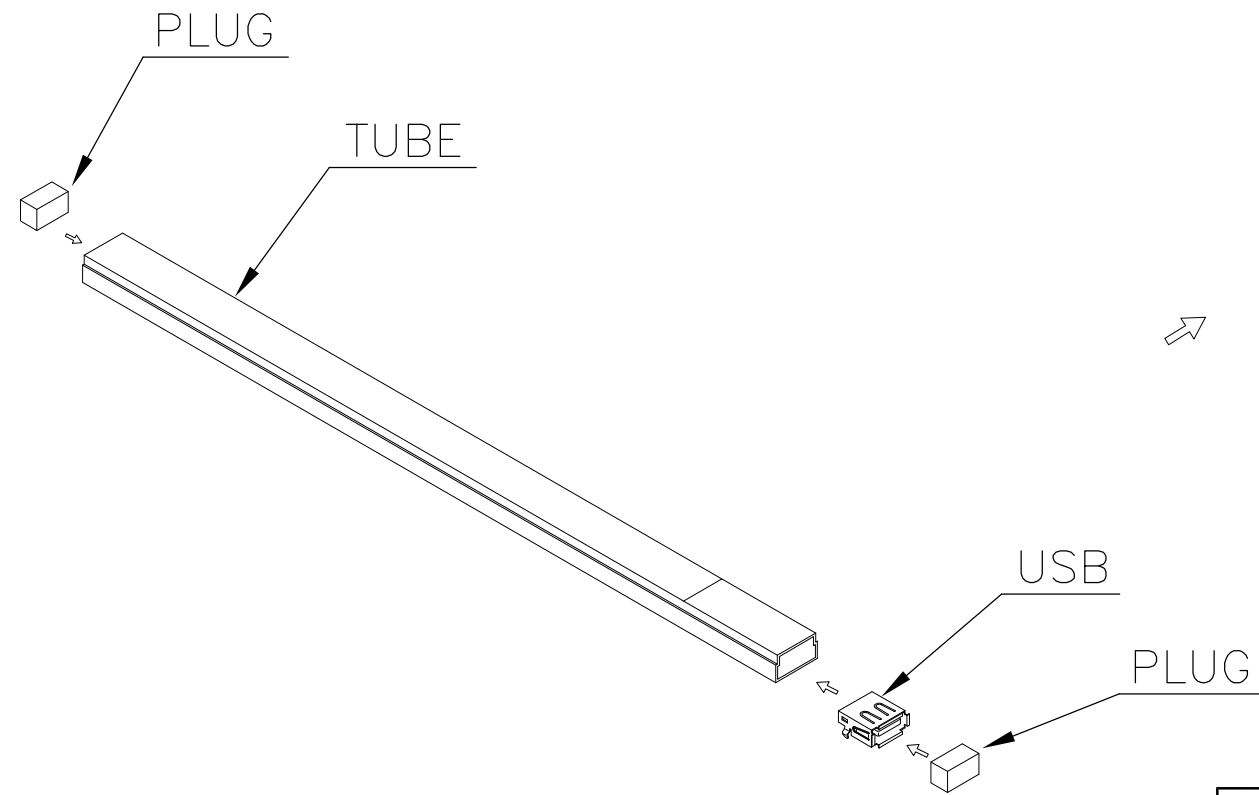
REVISIONS

© COPYRIGHT - BY - ALL RIGHTS RESERVED.

P	LTR	DESCRIPTION	DATE	DWN	APVD
-	-	SEE SHEET 1.	-	-	-

NOTES:

- MATERIAL:  
TRAY: PE.  
POLYLONE:POLYLONE  
SHIPPING CARTON: CORRUGATED FIBER.
- DIMENSION :  
TUBE : L=370mm, W=18.7mm, H=10.1mm  
SHIPPING CARTON : L=390mm, W=165mm, H=90mm
- QUANTITY :  
25 PCS/TUBE  
40 TUBES/INNER BOX(1,000PCS)
- WEIGHT :  
NET WEIGHT : 1.54 KG  
GROSS WEIGHT : 2.45 KG



2.45 Kg	1.54 Kg	25	40	1000	2-1734081-2
GROSS WEIGHT	NET WEIGHT	PCS/TUBE	TUBES/CARTON	QUANTITY	PART NUMBER
					2-1734081-1

THIS DRAWING IS A CONTROLLED DOCUMENT.		DWN	 TE Connectivity NAME USB CONNECTOR, RECEPTACLE 4 POSITION, SERIES A			
DIMENSIONS: MM		CHK				
		APVD				
TOLERANCES UNLESS OTHERWISE SPECIFIED: 0 PLC ± - 1 PLC ± - 2 PLC ± - 3 PLC ± - 4 PLC ± - ANGLES ± - MATERIAL FINISH		PRODUCT SPEC				
		APPLICATION SPEC	SIZE	CAGE CODE	DRAWING NO	RESTRICTED TO
		WEIGHT	A3	00779	C=1734081	-
CUSTOMER DRAWING			SCALE	SHEET	REV	
			-	17 OF 19	E1	

THIS DRAWING IS UNPUBLISHED.

RELEASED FOR PUBLICATION

-. -. .

© COPYRIGHT - BY -

ALL RIGHTS RESERVED.

LOC  
DW

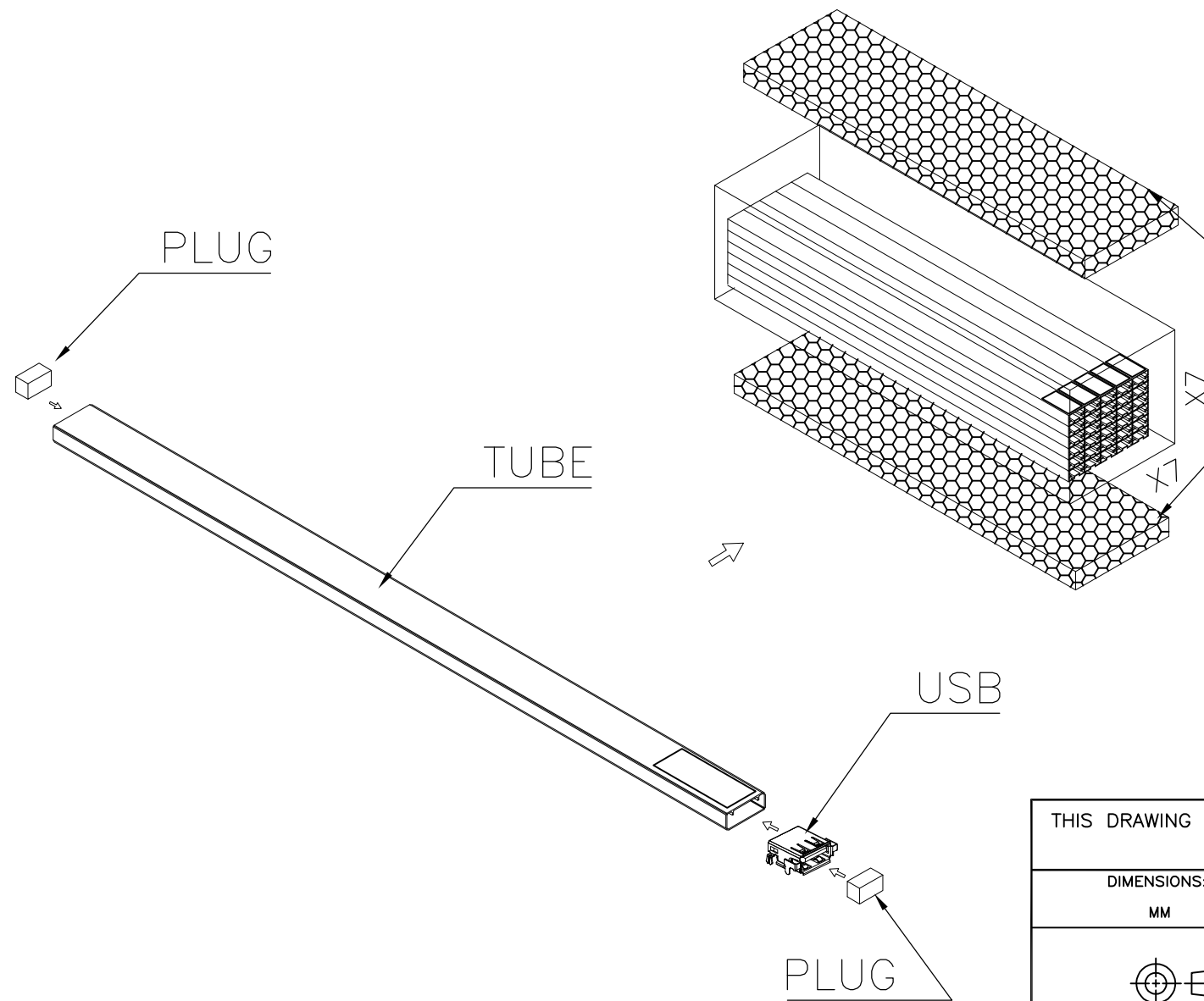
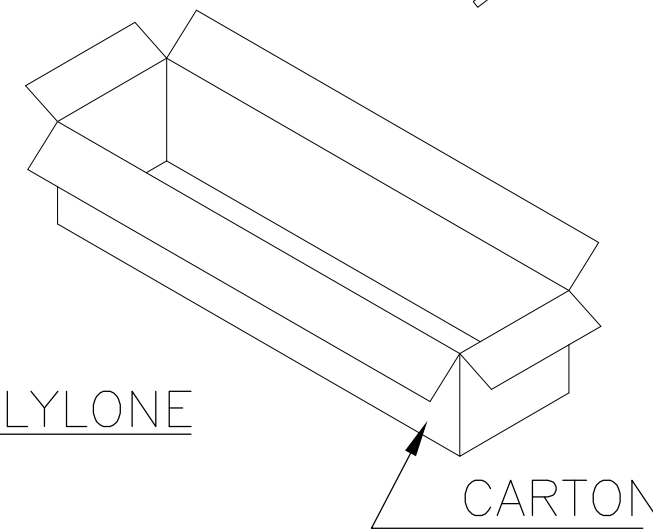
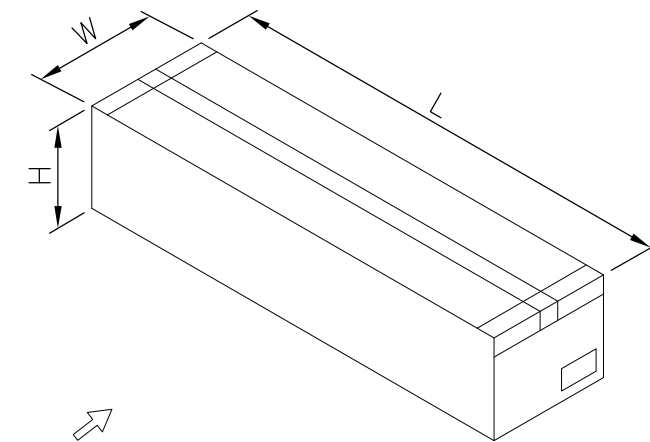
DIST  
/

REVISIONS

P	LTR	DESCRIPTION	DATE	DWN	APVD
-	-	SEE SHEET 1.	-	-	-

NOTE:

- MATERIAL:  
TRAY: PE.  
POLYLONE:POLYLONE  
SHIPPING CARTON: CORRUGATED FIBER.
- DIMENSION :  
TUBE : L=370mm, W=21.8mm, H=8.6mm  
SHIPPING CARTON : L=390mm, W=165mm, H=90mm
- QUANTITY :  
25 PCS/TUBE  
49 TUBES/INNER BOX(1,225PCS)
- WEIGHT :  
NET WEIGHT : 1.80 KG  
GROSS WEIGHT : 3.70 KG

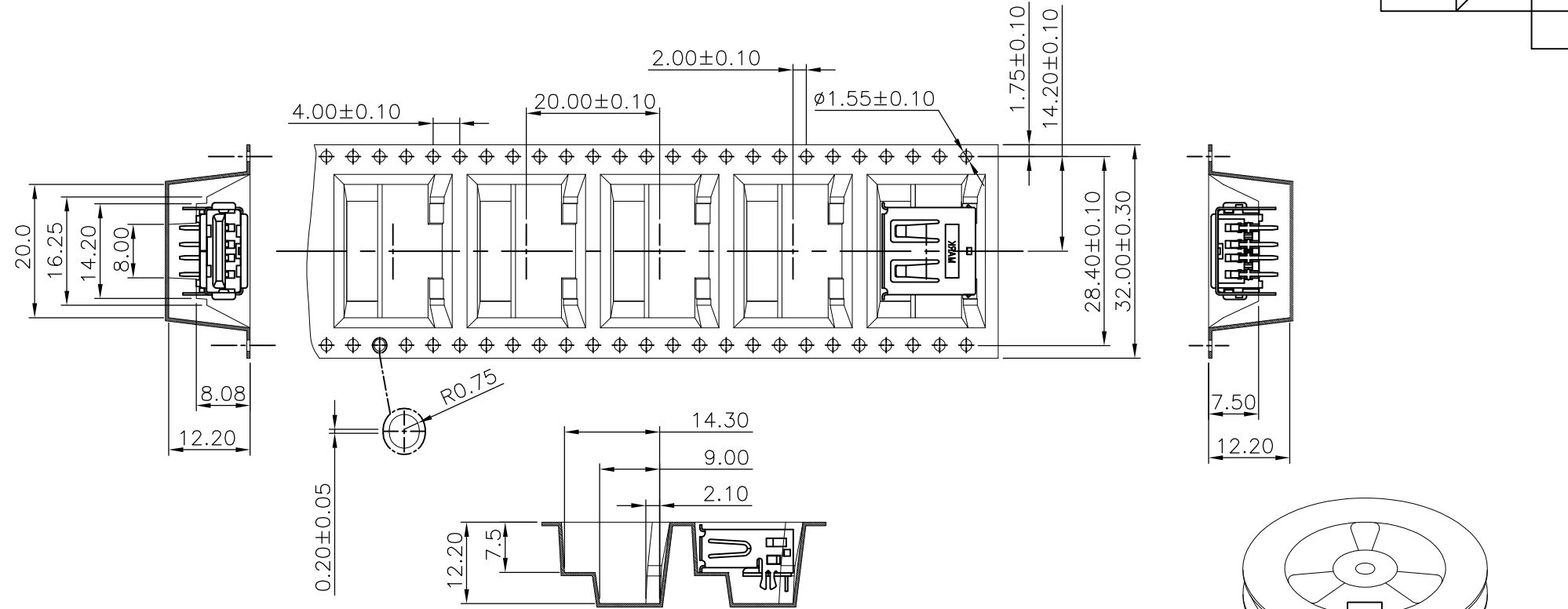


3.70 Kg	1.80 Kg	25	49	1225	6-1734081-1
GROSS WEIGHT	NET WEIGHT	PCS/TUBE	TUBES /CARTON	QUANTITY	PART NUMBER

THIS DRAWING IS A CONTROLLED DOCUMENT.		DWN	 TE Connectivity NAME USB CONNECTOR, RECEPTACLE 4 POSITION, SERIES A				
DIMENSIONS: MM		CHK					
		APVD					
TOLERANCES UNLESS OTHERWISE SPECIFIED: 0 PLC ± - 1 PLC ± - 2 PLC ± - 3 PLC ± - 4 PLC ± - ANGLES ± - MATERIAL FINISH		PRODUCT SPEC					
MATERIAL		APVD	APPLICATION SPEC	SIZE	CAGE CODE	DRAWING NO	RESTRICTED TO
		WEIGHT	CUSTOMER DRAWING	A3	00779	C=1734081	-
			SCALE	-	SHEET	18 OF 19	REV E1

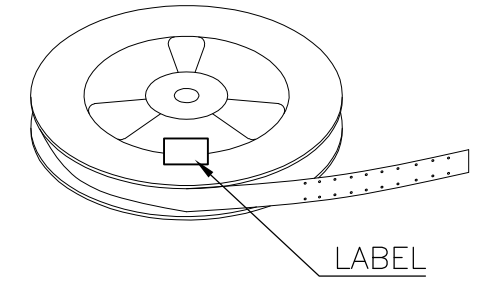
THIS DRAWING IS UNPUBLISHED.      RELEASED FOR PUBLICATION      - . - .  
 © COPYRIGHT - BY - ALL RIGHTS RESERVED.

LOC DW	DIST /	REVISIONS			
P	LTR	DESCRIPTION	DATE	DWN	APVD
-	-	SEE SHEET 1.	-	-	-

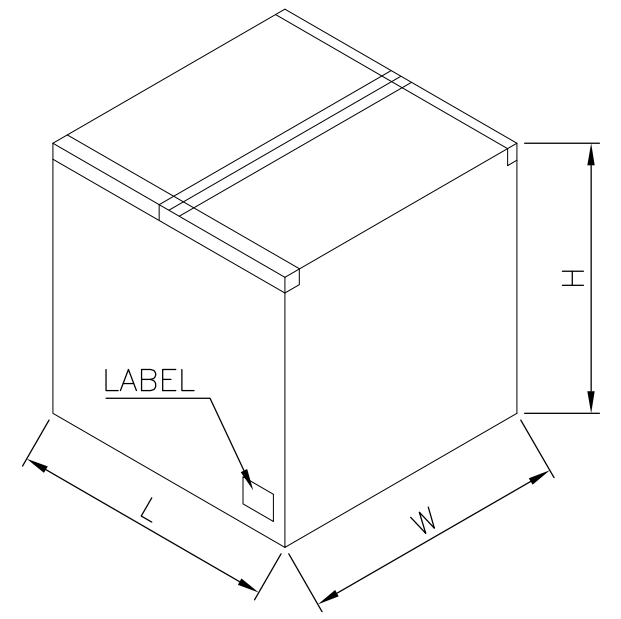


- NOTES:  
 1. MATERIAL:  
 REEL: PS.  
 EMBOSSED CARRIER: PS.  
 COVER TAPE: PBT.  
 2. DIMENSION:  
 SHIPPING CARTON: L=350mm, W=350mm, H=350mm  
 3. PEELING RESISTANCE: 20G TO 130G.  
 4. PEELING SPEED: 300MM/MIN.

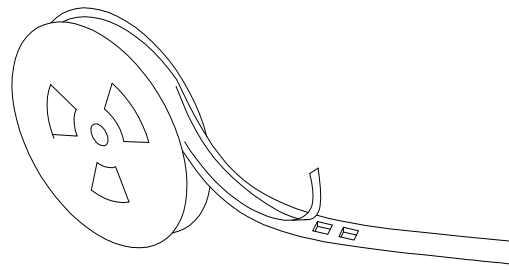
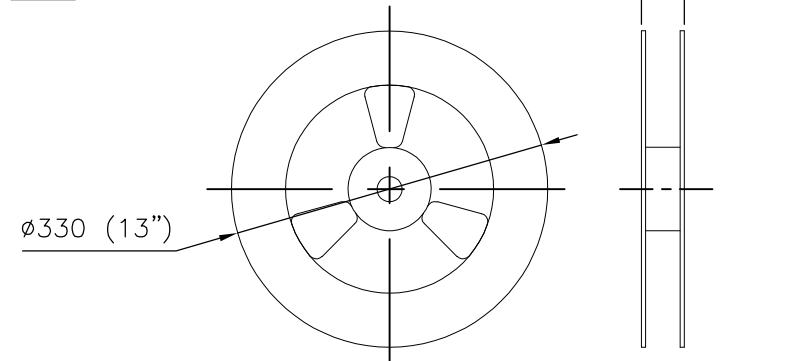
PULL OUT DIRECTION →



LABEL



SHIPPING CARTON



9.50 Kg	4.52 Kg	250	9	2250	1-1734081-5
GROSS WEIGHT	NET WEIGHT	PCS/REEL	REELS/CARTON	QUANTITY	PART NUMBER

THIS DRAWING IS A CONTROLLED DOCUMENT.		DWN	 TE Connectivity NAME USB CONNECTOR, RECEPTACLE 4 POSITION, SERIES A		
DIMENSIONS: MM 	TOLERANCES UNLESS OTHERWISE SPECIFIED: 0 PLC ± - 1 PLC ± - 2 PLC ± - 3 PLC ± - 4 PLC ± - ANGLES ± - FINISH	CHK			
		APVD			
MATERIAL		PRODUCT SPEC	SIZE	CAGE CODE	DRAWING NO
		APPLICATION SPEC	A3	00779	C-1734081
		WEIGHT	RESTRICTED TO		
CUSTOMER DRAWING		SCALE	SHEET 19 OF 19		REV E1