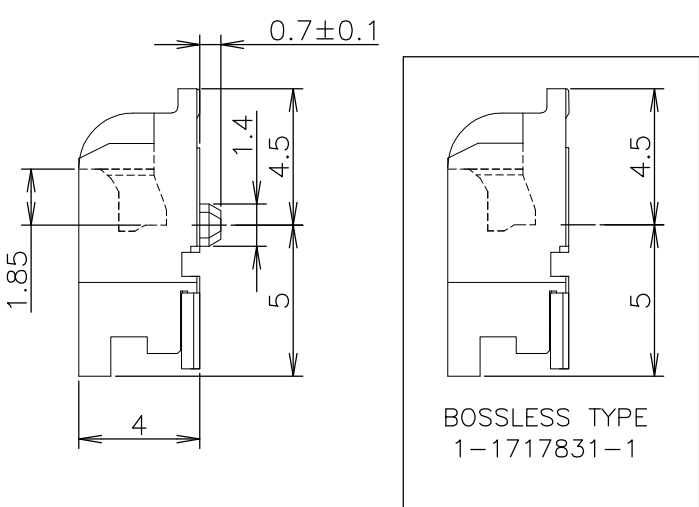
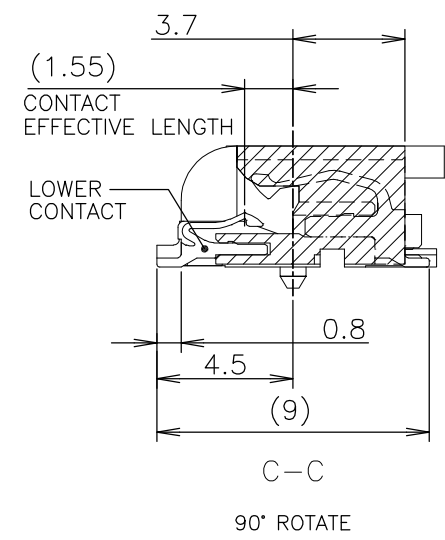
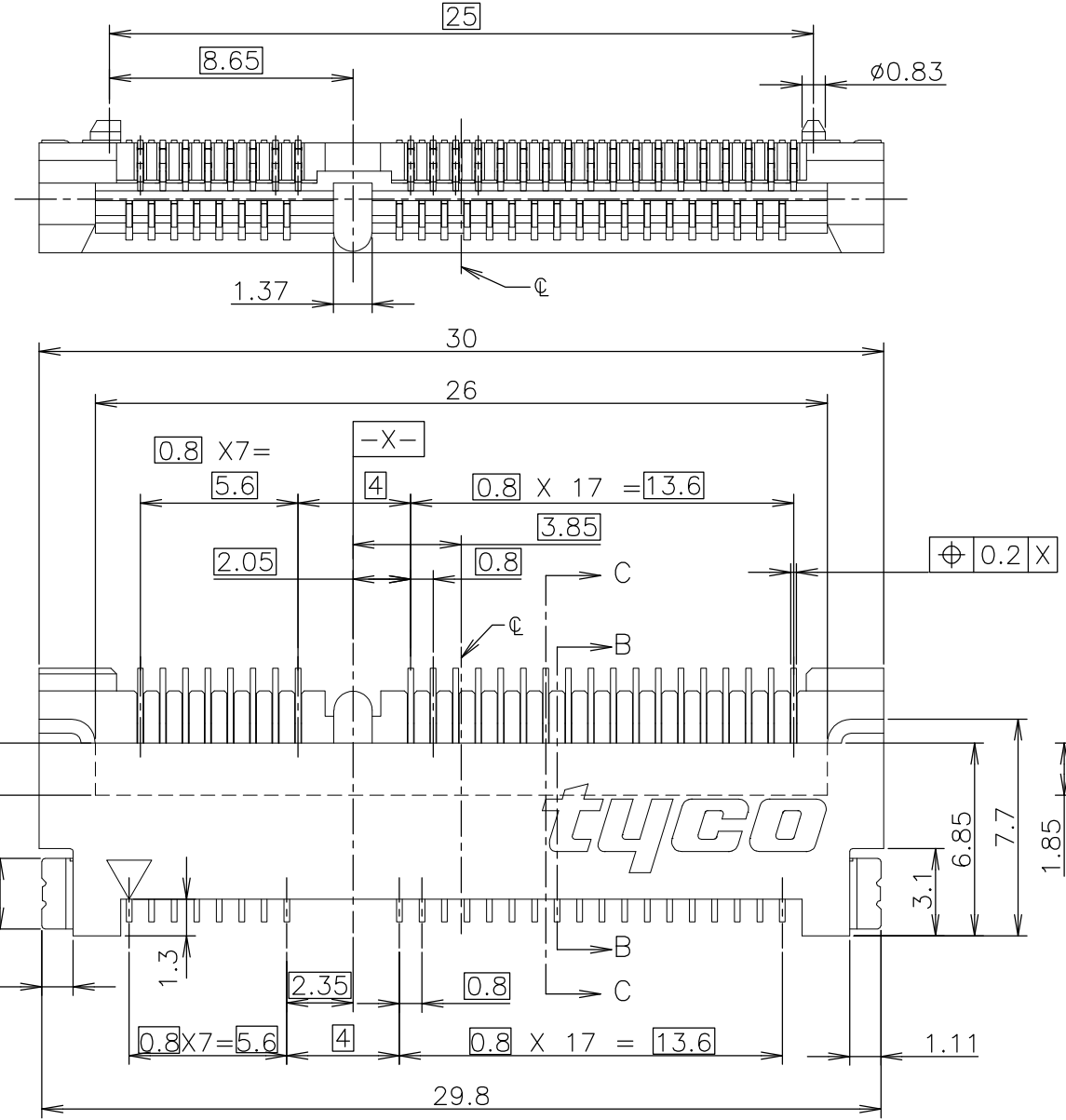
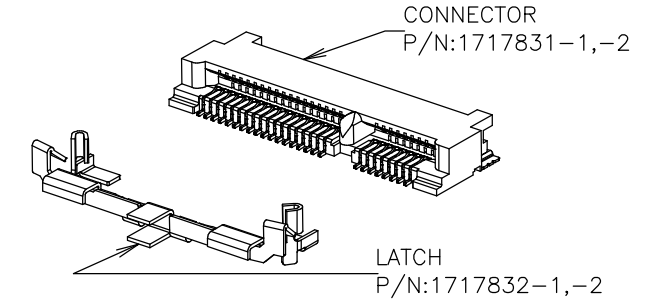
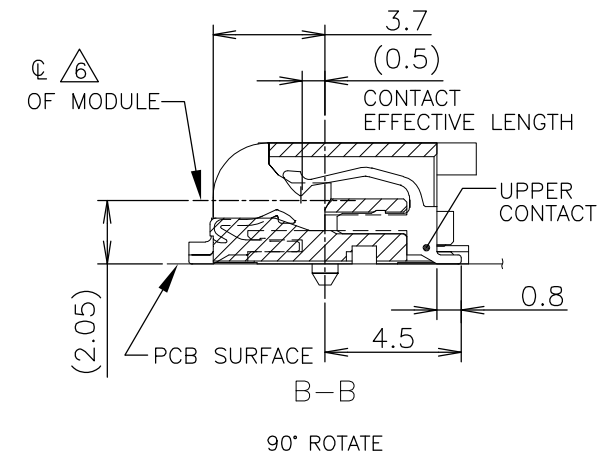


THIS DRAWING IS UNPUBLISHED. RELEASED FOR PUBLICATION OCT ,2003.
 © COPYRIGHT 2003 By - ALL RIGHTS RESERVED.

LOC	DIST	REVISIONS			
P	LTR	DESCRIPTION	DATE	DWN	APVD
J					
	D	RELEASED PER ECR-11-019941	28SEP2011	S.W	C.W

NOTE
 1. MATERIAL : HOUSING : HIGH TEMPERATURE THERMO PLASTIC UL94V-0
 COLOR: BLACK
 CONTACT : COPPER ALLOY
 SOLDER PEG : COPPER ALLOY
 2. FINISH : CONTACT : GOLD FLASH ON CONTACT AREA, ALL OVER NICKEL.
 SOLDER PEG : TIN PLATE, ALL OVER NICKEL
 3. TOLERANCES NON-CUMMURATIVE
 4. -D- IS THE TOP SURFACE OF PCB.
 5. COMPONENT KEEP OUT AREA BASED ON MINI PCI EXPRESS SPECIFICATION
 1.0 CANDIDATE DRAFT (v1)
 6. THE FLOATING VALUE BY SOLDERING IS NOT INCLUDED.



PCI-E MINI CARD CONNECTOR SIGNAL ASSIGNMENTS

PIN#	NAME	PIN#	NAME
51	Reserved	52	+3.3Vaux
49	Reserved	50	GND
47	Reserved	48	+1.5V
45	Reserved	46	LED_WPAN#
43	GND	44	LED_WLAN#
41	+3.3Vaux	42	LED_WWAN#
39	+3.3Vaux	40	GND
37	GND	38	USB_D+
35	GND	36	USB_D-
33	PETp0	34	GND
31	PETn0	32	SMB_DATA
29	GND	30	SMB_CLK
27	GND	28	+1.5V
25	PERp0	26	GND
23	PERn0	24	+3.3Vaux
21	GND	22	PERST#
19	Reserved* (UIM_C4)	20	W_DISABLE#
17	Reserved* (UIM_C8)	18	GND
MECHANICAL KEY			
15	GND	16	UIM_VPP
13	REFCLK+	14	UIM_RESET
11	REFCLK-	12	UIM_CLK
9	GND	10	UIM_DATA
7	CLKREQ#	8	UIM_PWR
5	COEX2	6	1.5V
3	COEX1	4	GND
1	WAKE#	2	3.3Vaux

mSATA CONNECTOR SIGNAL ASSIGNMENTS

PIN#	NAME	PIN#	NAME
51	Presence Detection	52	+3.3V
49	DA/DSS	50	GND
47	Vendor	48	+1.5V
45	Vendor	46	Reserved
43	No Connect	44	Reserved
41	+3.3V	42	Reserved
39	+3.3V	40	GND
37	GND	38	Reserved
35	GND	36	Reserved
33	+A	34	GND
31	-A	32	Two Wire Interface
29	GND	30	Two Wire Interface
27	GND	28	+1.5V
25	-B	26	GND
23	+B	24	+3.3V
21	GND	22	Reserved
19	Reserved	20	Reserved
17	Reserved	18	GND
MECHANICAL KEY			
15	GND	16	Reserved
13	Reserved	14	Reserved
11	Reserved	12	Reserved
9	GND	10	Reserved
7	Reserved	8	Reserved
5	Reserved	6	+1.5V
3	Reserved	4	GND
1	Reserved	2	+3.3V

* Reserved for future UIM interface (if needed)

THIS DRAWING IS A CONTROLLED DOCUMENT.

DIMENSIONS: MM	TOLERANCES UNLESS OTHERWISE SPECIFIED:
	0 PLC ± -
	1 PLC ± -
	2 PLC ± -
	3 PLC ± -
	4 PLC ± -
	ANGLES ± -
MATERIAL: SEE NOTE	FINISH: SEE NOTE

TOLERANCES UNLESS OTHERWISE SPECIFIED

10 ≥	±0.2
30 ≥ >10:	±0.25
100 ≥ >10:	±0.3
ANGLES :	±3°

STE TE Connectivity

NAME: SEMI HARD TRAY & EMBOSS TAPE SUPPLY
 2 IN 1 mSATA AND MINI PCI EXPRESS MINI CARD CONNECTOR 4mm HEIGHT

108-5899

SIZE: A3 CAGE CODE: 00779 DRAWING NO: C-1717831

WEIGHT: 1.2g

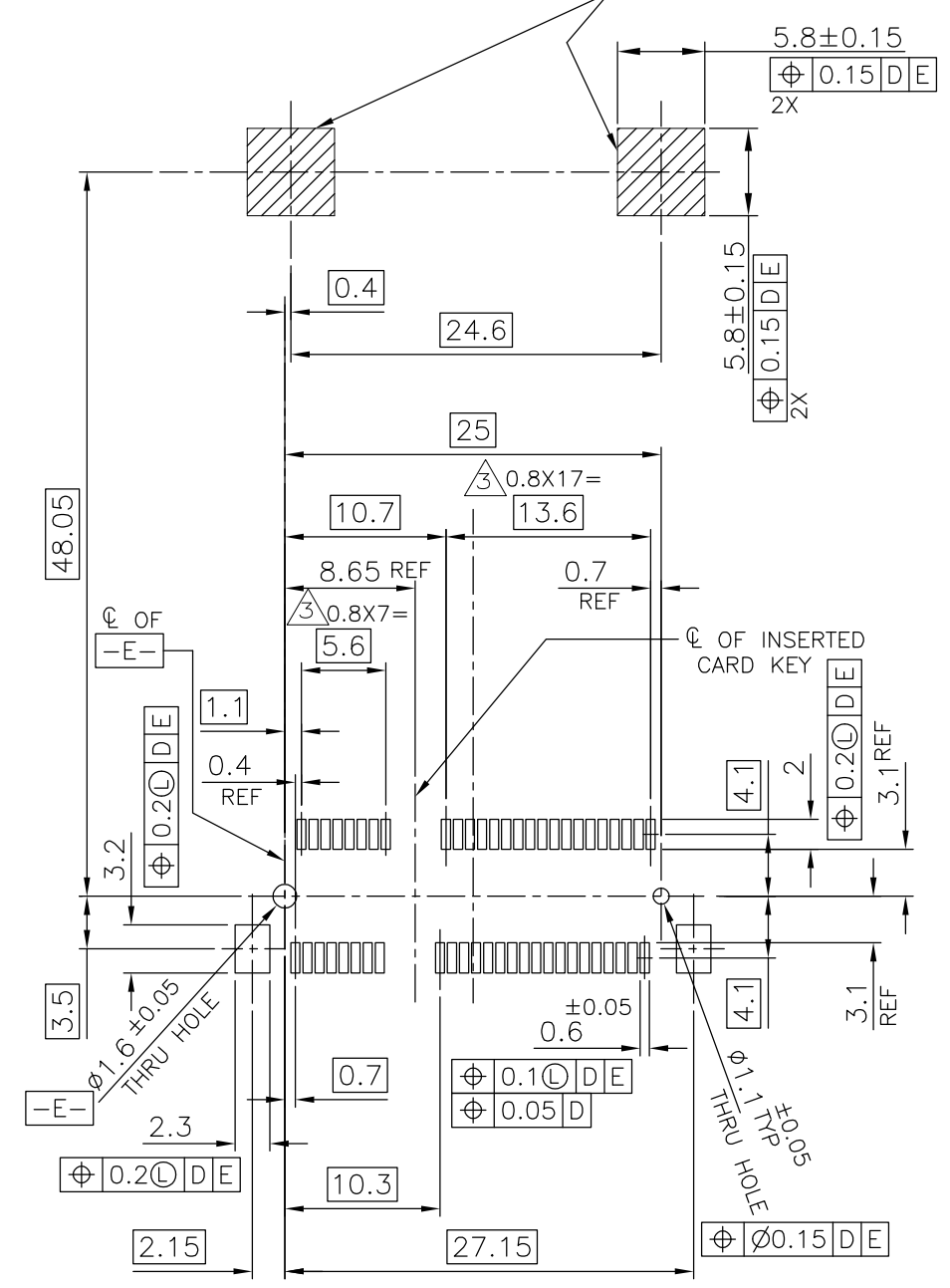
CUSTOMER DRAWING

SCALE: 4:1 SHEET: 1 OF 7 REV: D

THIS DRAWING IS UNPUBLISHED. RELEASED FOR PUBLICATION OCT ,2003.
 © COPYRIGHT 2003 By - ALL RIGHTS RESERVED.

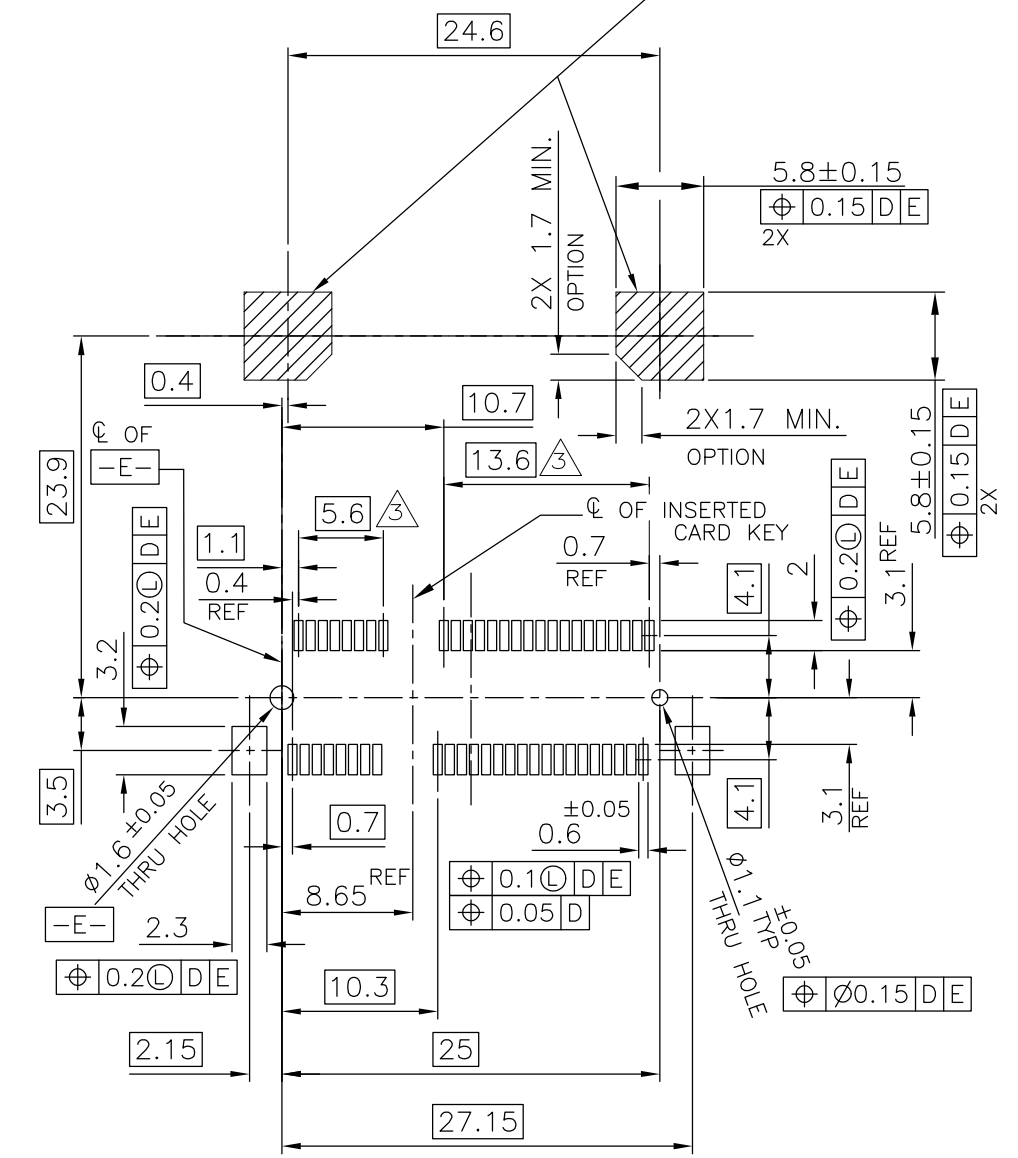
LOC	DIST	REVISIONS					
		P	LTR	DESCRIPTION	DATE	DWN	APVD
J		-	-	SEE SHEET 1	-	-	-

Component and routing (all layers)
keep out area for hold down solutions



REFERENTIAL P.C.BOARD LAYOUT
FOR FULL CARD CONNECTOR

Component and routing (all layers)
keep out area for hold down solutions



REFERENTIAL P.C.BOARD LAYOUT
FOR HALF CARD CONNECTOR

THIS DRAWING IS A CONTROLLED DOCUMENT.		DWN	STE TE Connectivity		
DIMENSIONS: MM		CHK			
TOLERANCES UNLESS OTHERWISE SPECIFIED:		APVD	NAME		
0 PLC ± -		PRODUCT SPEC	SEMI HARD TRAY & EMBOSS TAPE SUPPLY		
1 PLC ± -		APPLICATION SPEC	2 IN 1 mSATA AND MINI PCI EXPRESS MINI CARD		
2 PLC ± -		WEIGHT	SIZE	CAGE CODE	DRAWING NO
3 PLC ± -		CUSTOMER DRAWING	A3	00779	C-1717831
4 PLC ± -			SCALE	SHEET	REV
ANGLES ± -			2:1	2 OF 7	D
FINISH					

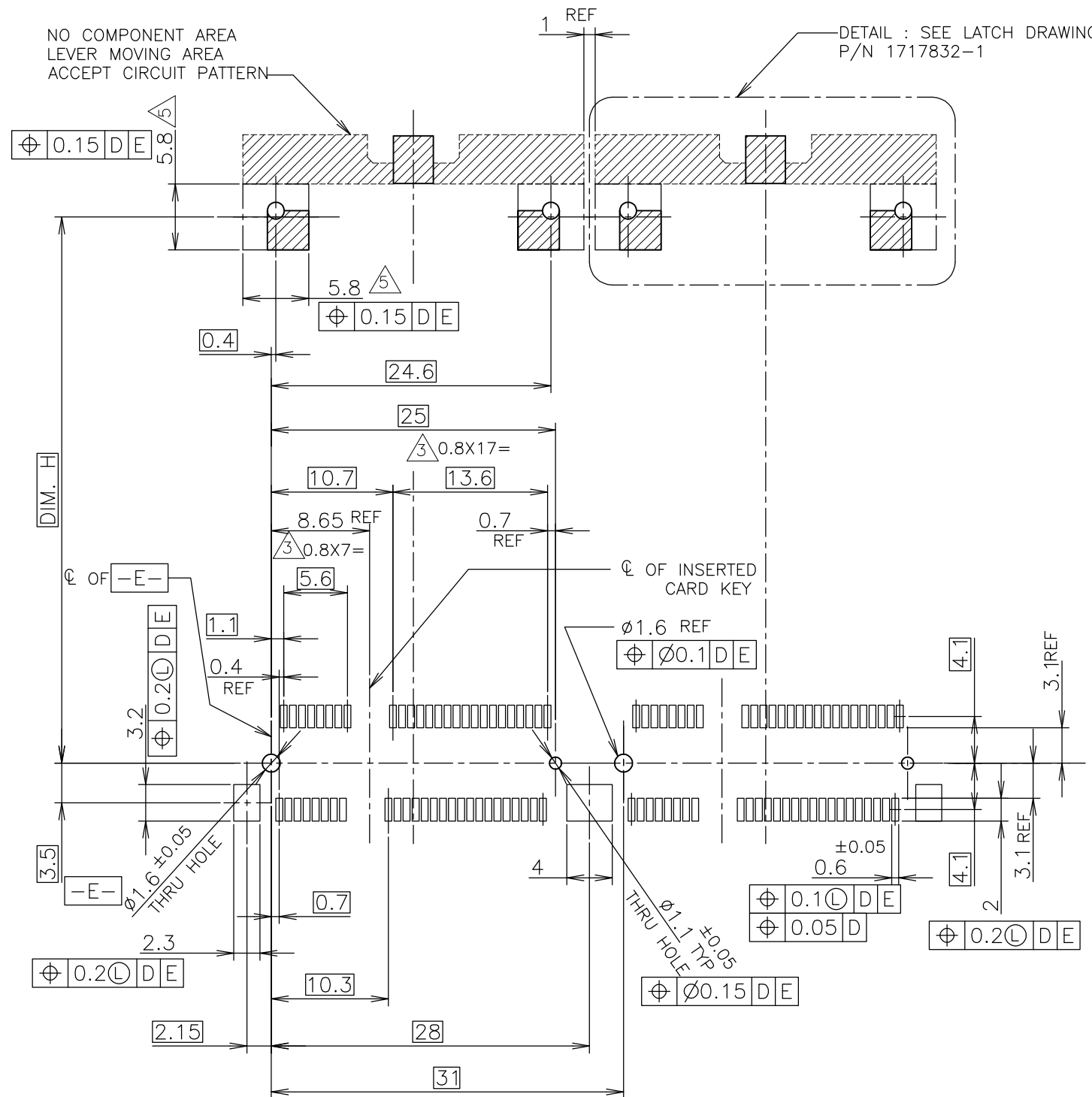
THIS DRAWING IS UNPUBLISHED.

RELEASED FOR PUBLICATION OCT ,2003.

© COPYRIGHT 2003 By -

ALL RIGHTS RESERVED.

LOC	DIST	REVISIONS			
P	LTR	DESCRIPTION	DATE	DWN	APVD
J		SEE SHEET 1	-	-	-



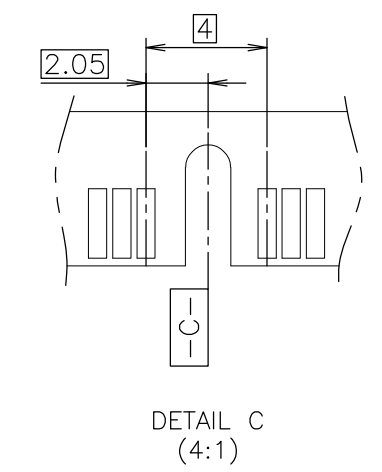
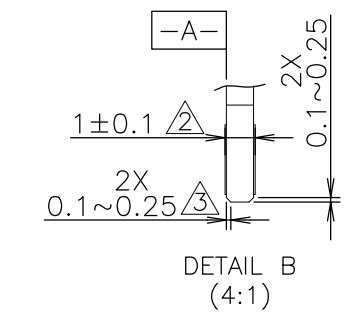
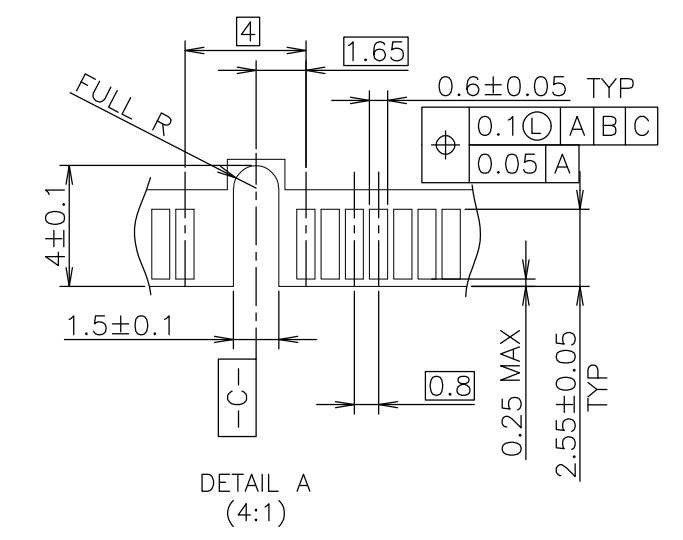
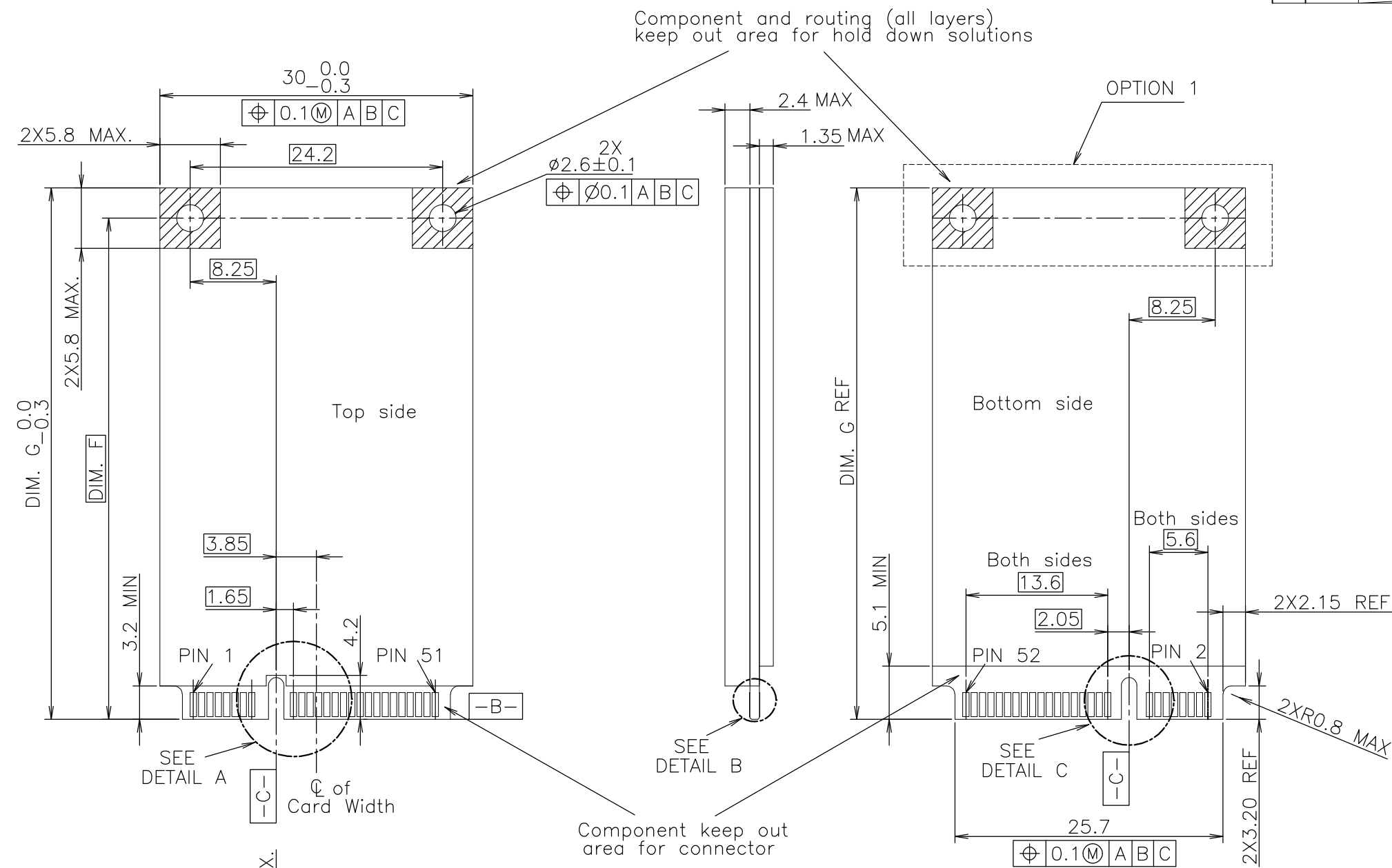
RECOMMENDED P.C.BOARD PATTERN LAYOUT FOR FULL CARD & SIDE BY SIDE MOUNT

DIM. H	
48.05	FULL-MINI CARD
23.9	HALF-MINI CARD

THIS DRAWING IS A CONTROLLED DOCUMENT.		DWN	STE TE Connectivity			
DIMENSIONS: MM		CHK				
TOLERANCES UNLESS OTHERWISE SPECIFIED:		APVD	NAME			
0 PLC ± -		PRODUCT SPEC	SEMI HARD TRAY & EMBOSS TAPE SUPPLY			
1 PLC ± -		APPLICATION SPEC	2 IN 1 mSATA AND MINI PCI EXPRESS MINI CARD			
2 PLC ± -		WEIGHT	SIZE	CAGE CODE	DRAWING NO	RESTRICTED TO
3 PLC ± -		CUSTOMER DRAWING	A3	00779	C-1717831	-
4 PLC ± -			SCALE	SHEET	REV	
ANGLES ± -		2:1	3 OF 7	D		
FINISH						

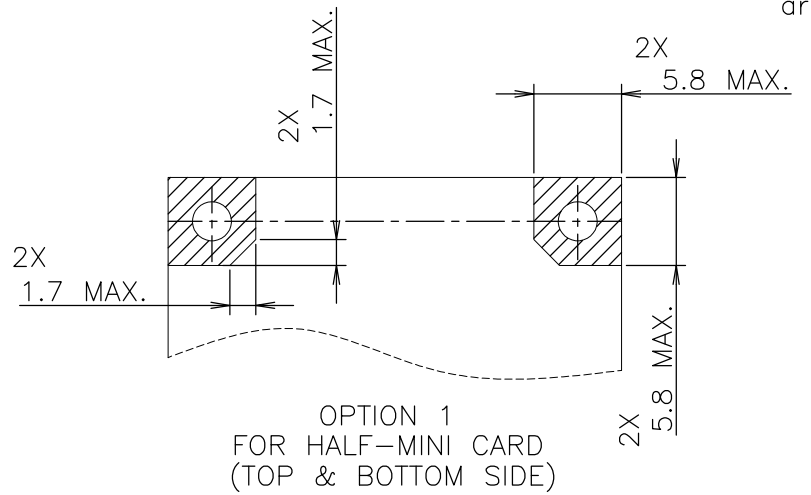
THIS DRAWING IS UNPUBLISHED. RELEASED FOR PUBLICATION OCT ,2003.
 © COPYRIGHT 2003 By - ALL RIGHTS RESERVED.

LOC	DIST	REVISIONS			
P	LTR	DESCRIPTION	DATE	DWN	APVD
J		SEE SHEET 1	-	-	-



DIM. F	DIM. G	
48.05	50.95	FULL-MINI CARD
23.9	26.8	HALF-MINI CARD

RECOMMENDED MATING P.C.B CONFIGURATION
FOR PCI EXPRESS MINI CARD



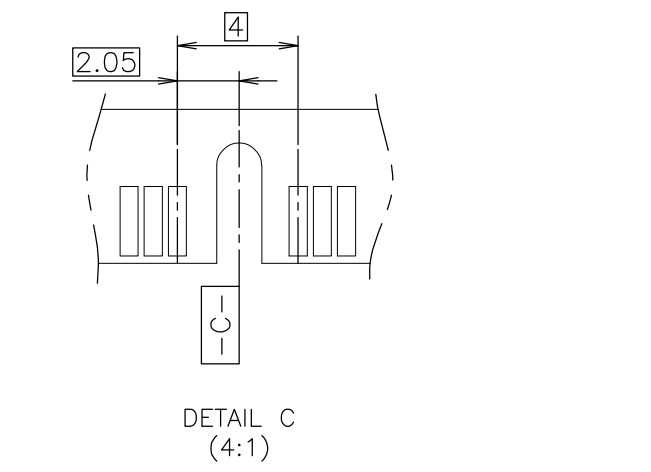
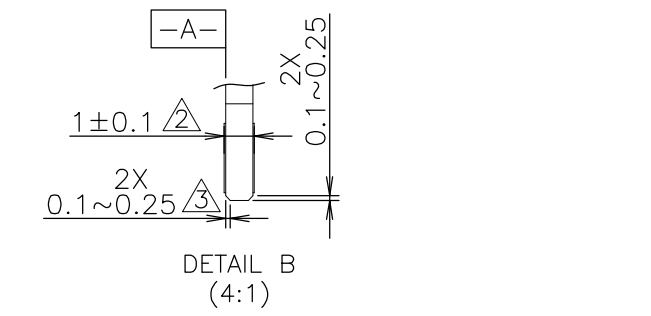
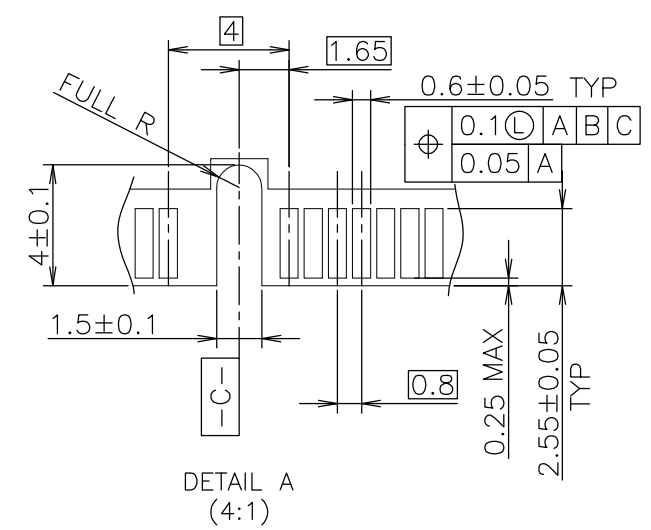
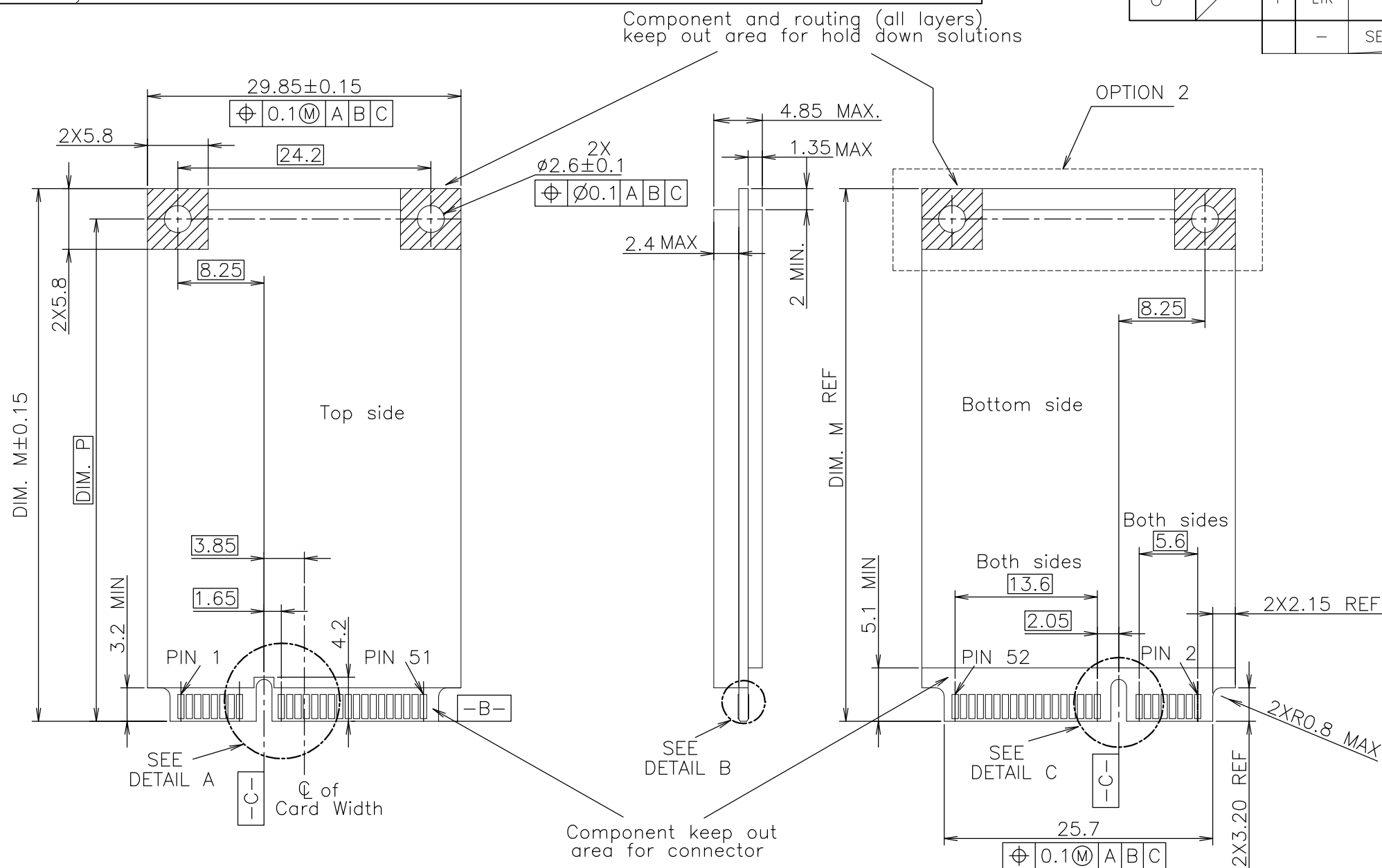
- NOTES
- 1. PCI EXPRESS MINI CARD, PCB THICKNESS 1.0mm.
 - 2. CARD THICKNESS APPLIES ACROSS TABS AND INCLUDES PLATING AND/OR METALIZATION.
 - 3. BEVEL MUST BE FREE OF CUTTING BURRS.

THIS DRAWING IS A CONTROLLED DOCUMENT.		DWN		TE Connectivity	
DIMENSIONS: MM		CHK			
TOLERANCES UNLESS OTHERWISE SPECIFIED:		APVD			
0 PLC ± - 1 PLC ± - 2 PLC ± - 3 PLC ± - 4 PLC ± - ANGLES ± - FINISH		PRODUCT SPEC APPLICATION SPEC WEIGHT			
MATERIAL		NAME		SEMI HARD TRAY & EMBOSS TAPE SUPPLY	
		SIZE		2 IN 1 mSATA AND MINI PCI EXPRESS MINI CARD	
		CAGE CODE		CONNECTOR 4mm HEIGHT	
		DRAWING NO		A3 00779 C-1717831	
		RESTRICTED TO			
CUSTOMER DRAWING		SCALE		2:1	
		SHEET		4 OF 7	
		REV		D	

LOC	DIST
J	

REVISIONS

P	LTR	DESCRIPTION	DATE	DWN	APVD
-	-	SEE SHEET 1	-	-	-



RECOMMENDED MATING P.C.B CONFIGURATION FOR mSATA

DIM. P	DIM. M	
48.05	50.8	FULL CARD
23.9	26.8	HALF CARD

THIS DRAWING IS A CONTROLLED DOCUMENT.		DWN	TE Connectivity	
DIMENSIONS: MM		CHK		
		APVD		
TOLERANCES UNLESS OTHERWISE SPECIFIED: 0 PLC ± - 1 PLC ± - 2 PLC ± - 3 PLC ± - 4 PLC ± - ANGLES ± - MATERIAL FINISH ± -		PRODUCT SPEC		
MATERIAL		APVD	NAME	
THIS DRAWING IS UNPUBLISHED. RELEASED FOR PUBLICATION OCT ,2003. © COPYRIGHT 2003 By - ALL RIGHTS RESERVED.		APVD	SEMI HARD TRAY & EMBOSS TAPE SUPPLY	
DIMENSIONS: MM 		PRODUCT SPEC	2 IN 1 mSATA AND MINI PCI EXPRESS MINI CARD	
TOLERANCES UNLESS OTHERWISE SPECIFIED: 0 PLC ± - 1 PLC ± - 2 PLC ± - 3 PLC ± - 4 PLC ± - ANGLES ± - MATERIAL FINISH ± -		APPLICATION SPEC	CONNECTOR 4mm HEIGHT	
THIS DRAWING IS UNPUBLISHED. RELEASED FOR PUBLICATION OCT ,2003. © COPYRIGHT 2003 By - ALL RIGHTS RESERVED.		WEIGHT	SIZE	RESTRICTED TO
THIS DRAWING IS UNPUBLISHED. RELEASED FOR PUBLICATION OCT ,2003. © COPYRIGHT 2003 By - ALL RIGHTS RESERVED.		CUSTOMER DRAWING	A300779	-
THIS DRAWING IS UNPUBLISHED. RELEASED FOR PUBLICATION OCT ,2003. © COPYRIGHT 2003 By - ALL RIGHTS RESERVED.		SCALE	C-1717831	-
THIS DRAWING IS UNPUBLISHED. RELEASED FOR PUBLICATION OCT ,2003. © COPYRIGHT 2003 By - ALL RIGHTS RESERVED.		SCALE 2:1	SHEET 5 of 7	REV D

- NOTES
- 1.mSATA CARD,PCB THICKNESS 1.0mm.
 - 2.CARD THICKNESS APPLIES ACROSS TABS AND INCLUDES PLATING AND/OR METALIZATION.
 - 3.BEVEL MUST BE FREE OF CUTTING BURRS.
 - 4.COMPONENT AND ROUTING (TOP/BOTTOM LAYER) KEEP OUT AREA FOR HOLD DOWN SOLUTIONS.

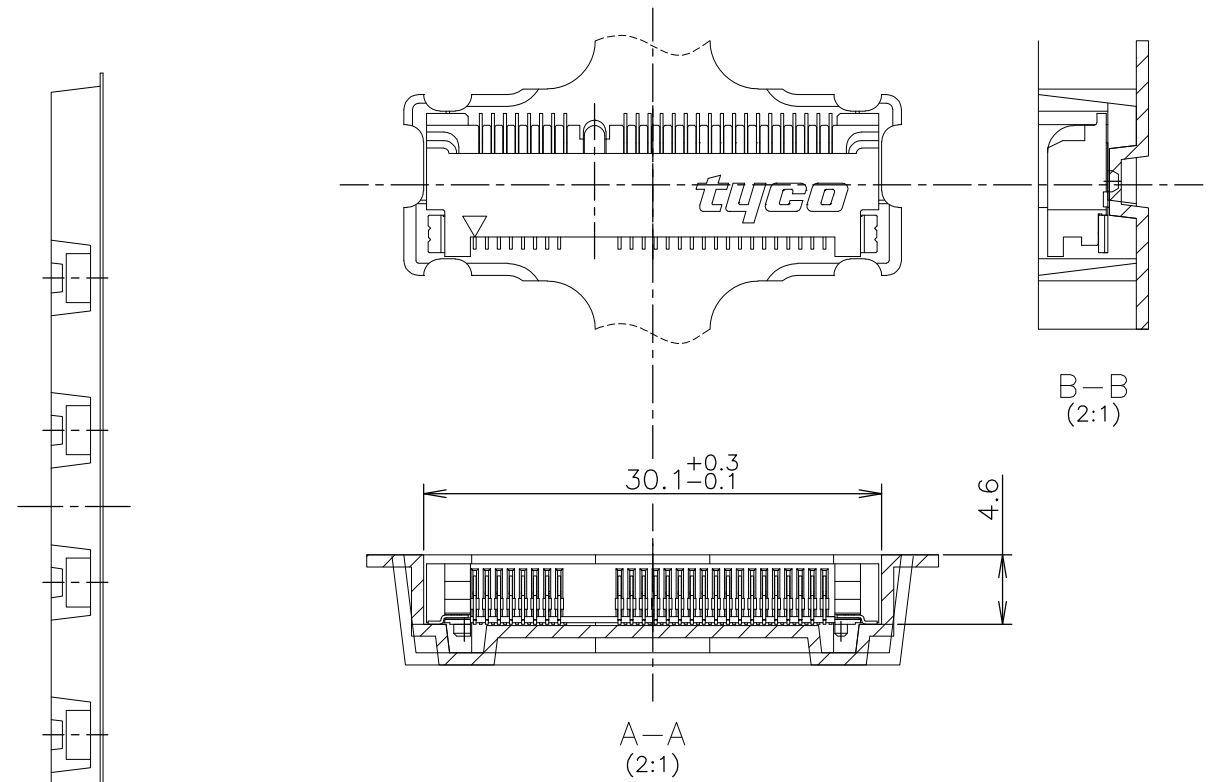
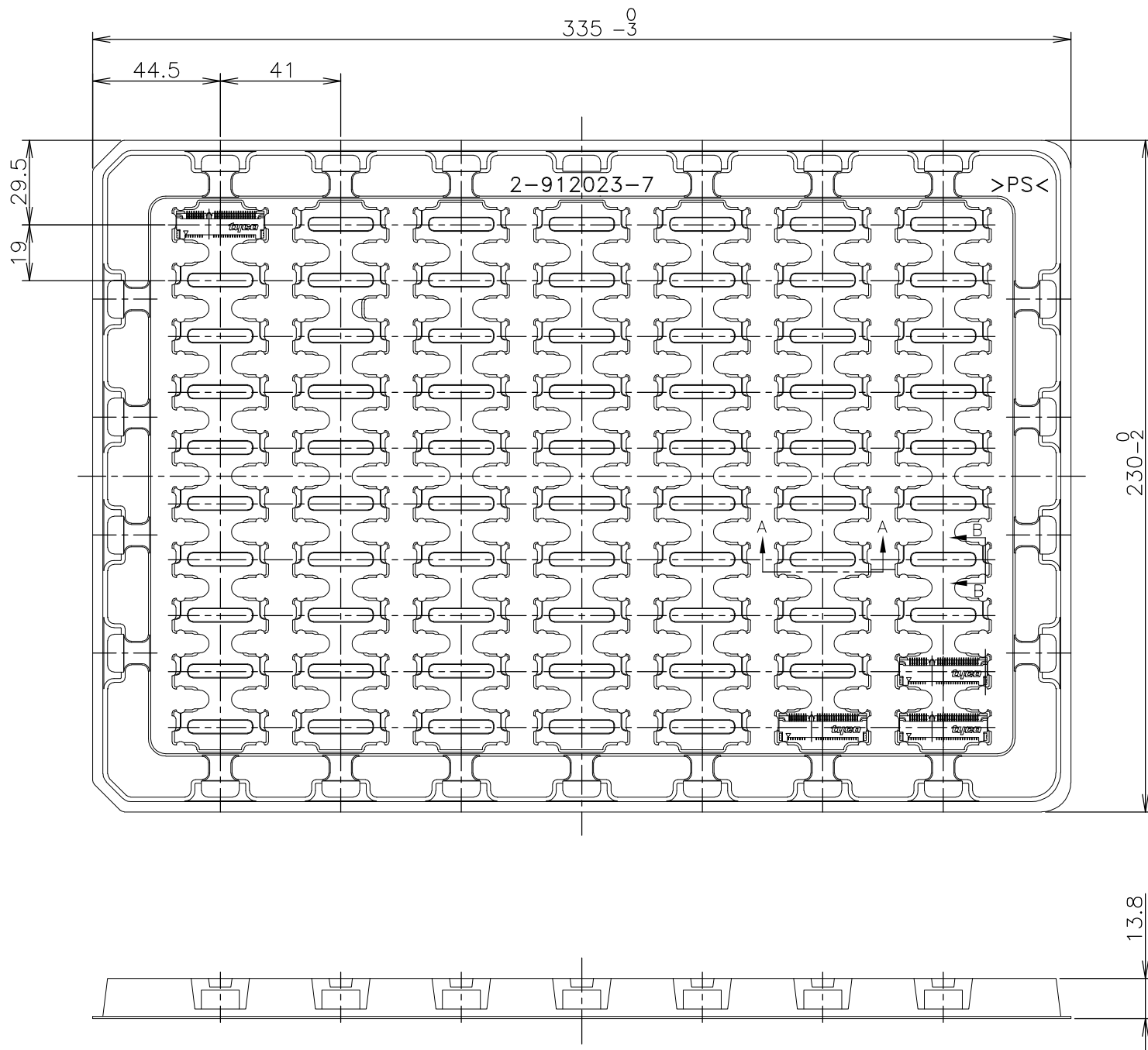
THIS DRAWING IS UNPUBLISHED.

RELEASED FOR PUBLICATION OCT , 2003.

© COPYRIGHT 2003 By -

ALL RIGHTS RESERVED.

LOC	DIST	REVISIONS					
		P	LTR	DESCRIPTION	DATE	DWN	APVD
J	/	-	-	SEE SHEET 1	-	-	-



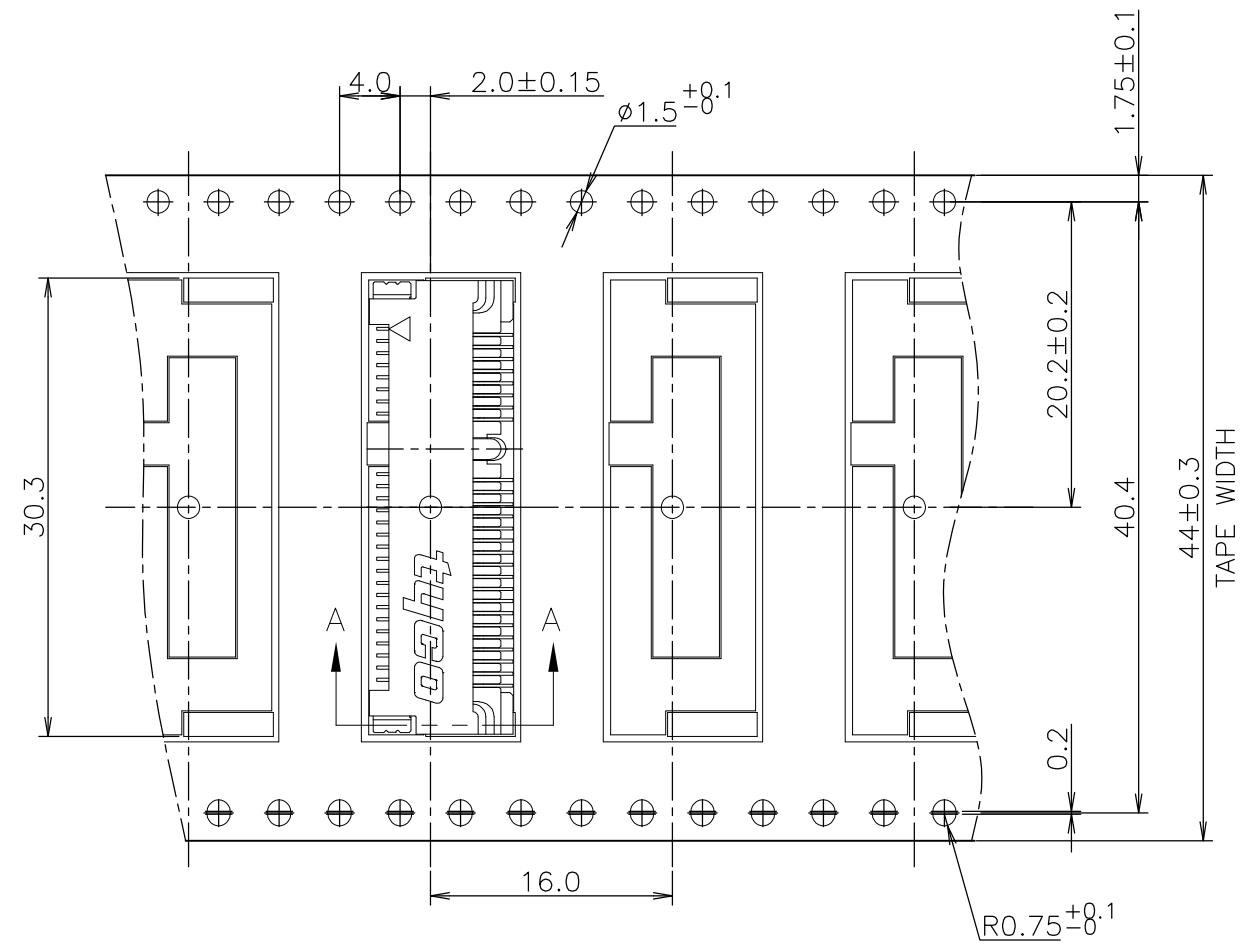
NOTE
 1. THE DIRECTION OF EACH CONNECTOR ON A TRAY IS REFERRED TO THIS DWG.

BOSSLESS	70EA/TRAY	2-912023-7	1-1717831-1
//	70EA/TRAY	2-912023-7	1717831-1
REMARK	QTY	TRAY P/N	P/N

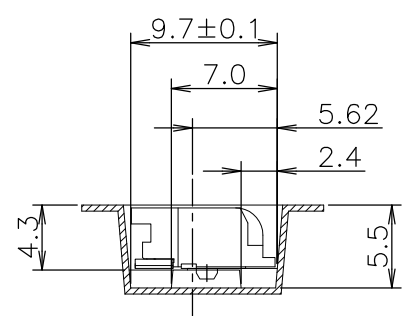
THIS DRAWING IS A CONTROLLED DOCUMENT.		DWN		STE TE Connectivity	
DIMENSIONS: MM		CHK			
TOLERANCES UNLESS OTHERWISE SPECIFIED:		APVD		NAME	
0 PLC ± -		PRODUCT SPEC		SEMI HARD TRAY & EMOSS TAPE SUPPLY	
1 PLC ± -		108-5899		2 IN 1 mSATA AND MINI PCI EXPRESS MINI CARD	
2 PLC ± -		APPLICATION SPEC		CONNECTOR 4mm HEIGHT	
3 PLC ± -		WEIGHT		SIZE	RESTRICTED TO
4 PLC ± -		CUSTOMER DRAWING		A3	-
ANGLES ± -		SCALE		00779	REV
FINISH		NTS		C-1717831	D
TOLERANCES UNLESS OTHERWISE SPECIFIED ±0.5		SHEET		6 of 7	

THIS DRAWING IS UNPUBLISHED. RELEASED FOR PUBLICATION OCT , 2003.
 © COPYRIGHT 2003 By - ALL RIGHTS RESERVED.

LOC	DIST	REVISIONS			
P	LTR	DESCRIPTION	DATE	DWN	APVD
J	/	SEE SHEET 1	-	-	-

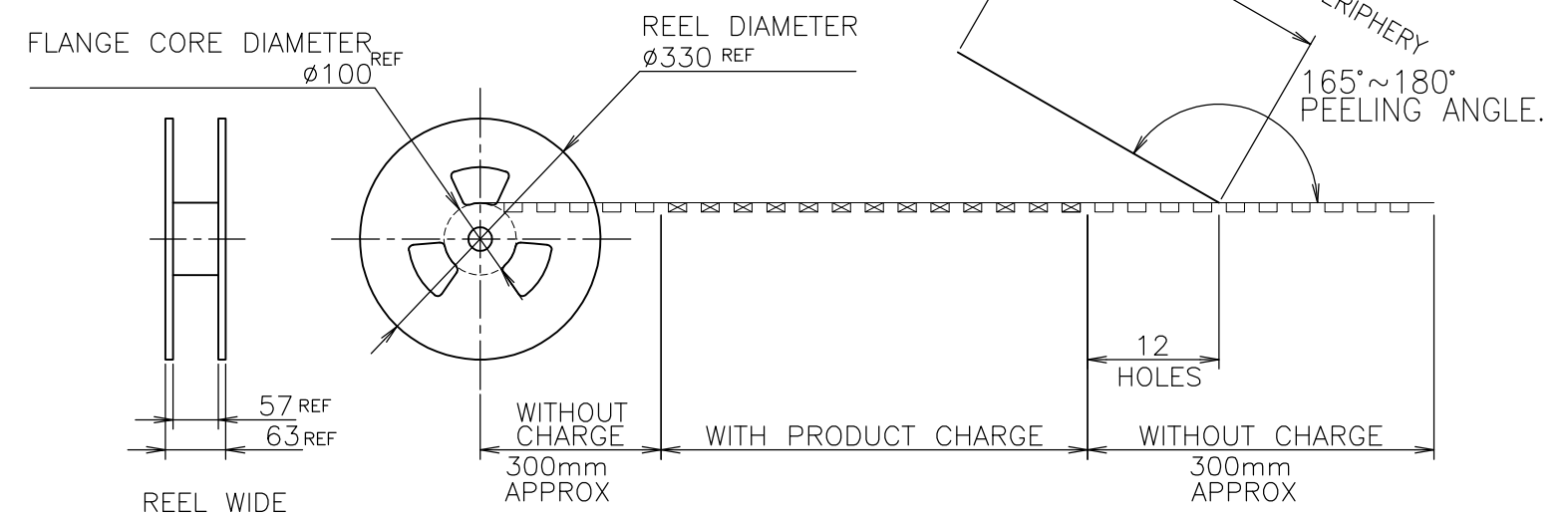


NOTE 1. PEELING RESISTANCE : 0.1N~1.3N
 (10gf~130gf)
 SPEED : 300mm/min



A-A

TOP OF REEL →



//	500EA	5-912103-9	1717831-2
REMARK	QTY/REEL	EMBOSS TAPE P/N	P/N

THIS DRAWING IS A CONTROLLED DOCUMENT.		DWN	STE TE Connectivity		
DIMENSIONS: MM		CHK			
TOLERANCES UNLESS OTHERWISE SPECIFIED:		APVD	NAME		
0 PLC ± -		PRODUCT SPEC	SEMI HARD TRAY & EMBOSS TAPE SUPPLY		
1 PLC ± -		108-5899	2 IN 1 mSATA AND MINI PCI EXPRESS MINI CARD		
2 PLC ± -		APPLICATION SPEC	CONNECTOR 4mm HEIGHT		
3 PLC ± -		WEIGHT	SIZE	CAGE CODE	DRAWING NO
4 PLC ± -		CUSTOMER DRAWING	A3	00779	C-1717831
ANGLES ± -		SCALE	2:1	SHEET	7 OF 7
FINISH		REV	D		