

Type 409 Series

Key Features

- Stable High Resolution Cermet Element
- Rugged Construction
- PCB Standoffs
- Wide Value Range
- 0.5 Watt Power Rating
- High Reliability
- Dust and Splash Proof
- Auto Adjust Head Available



The 409 series offers typical TE Connectivity (TE) features, the stability of a cermet resistive element, and an attractive price. The range satisfies many applications in industrial and professional equipment. Components are available with top, underside, side, finger, auto and skeleton adjustments. The 409 is widely used in power supplies, telecommunications, medical instrumentation and the automotive industry.

Characteristics - Electrical

Resistance Range:	100R to 1M (Linear)
Resistance Values:	1, 2, 5 in each decade
Resistance Tolerance:	± 20%
End Resistance:	2% Nominal
Wiper Current:	50mA maximum
Power Rating:	0.5W at 70°C derating to zero at 100°C
Limiting Element Voltage:	200V DC or AC RMS maximum
Rotational Noise (CRV):	3% maximum
Temperature Coefficient:	±250ppm/°C

Characteristics - Mechanical

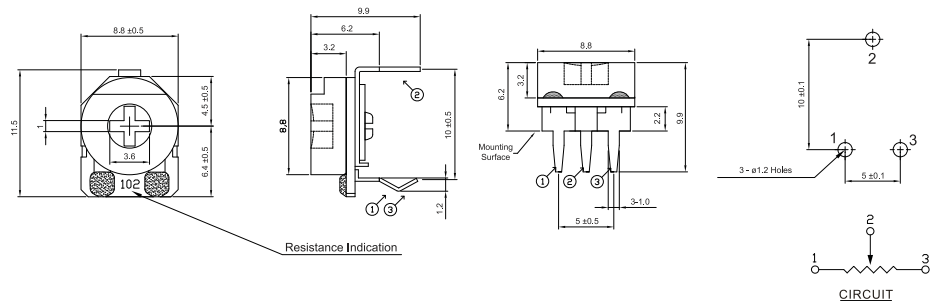
End Stop:	50 mNm minimum
Starting Torque:	30 mNm maximum
Mechanical Adjustment:	260° nominal
Operational Life:	100 turns

Characteristics - Environmental

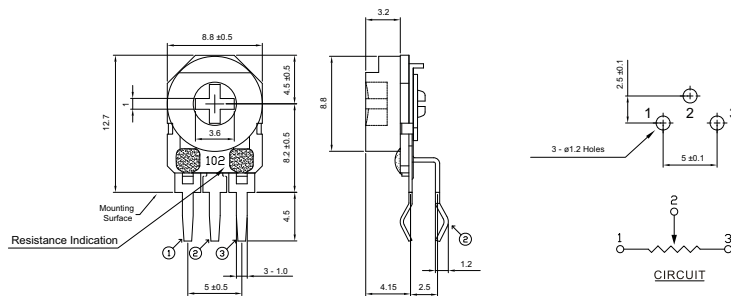
Temperature Range:	- 25°C to + 100°C
Load Life at 70°C:	ΔR < 5% after 1000 hours
Sealing:	Dust Proof
Climatic Category:	25/100/21

Type 409 Series

Dimensions 409H



409V



How to Order

409	H	A	104	M
Common Part	Adjustment Style	Head Style	Resistance Value	Tolerance
409	H - Top / Bottom Adjust V - Side Adjust	A - Phillips Slot R - Auto Adjust S - Finger Adjust T - Minus Slot X - Skeleton	The first two digits are significant figures of resistance value and the third denotes the number of zeros following. e.g. 100R: 101 1K0: 102 10K: 103	M - -20%

TE Connectivity, TE connectivity (logo) and TE (logo) are trademarks.
Other logos, product and Company names mentioned herein may be trademarks of their respective owners.

While TE has made every reasonable effort to ensure the accuracy of the information in this datasheet, TE does not guarantee that it is error-free, nor does TE make any other representation, warranty or guarantee that the information is accurate, correct, reliable or current. TE reserves the right to make any adjustments to the information contained herein at any time without notice. TE expressly disclaims all implied warranties regarding the information contained herein, including, but not limited to, any implied warranties of merchantability or fitness for a particular purpose. The dimensions in this datasheet are for reference purposes only and are subject to change without notice. Specifications are subject to change without notice. Consult TE for the latest dimensions and design specifications.