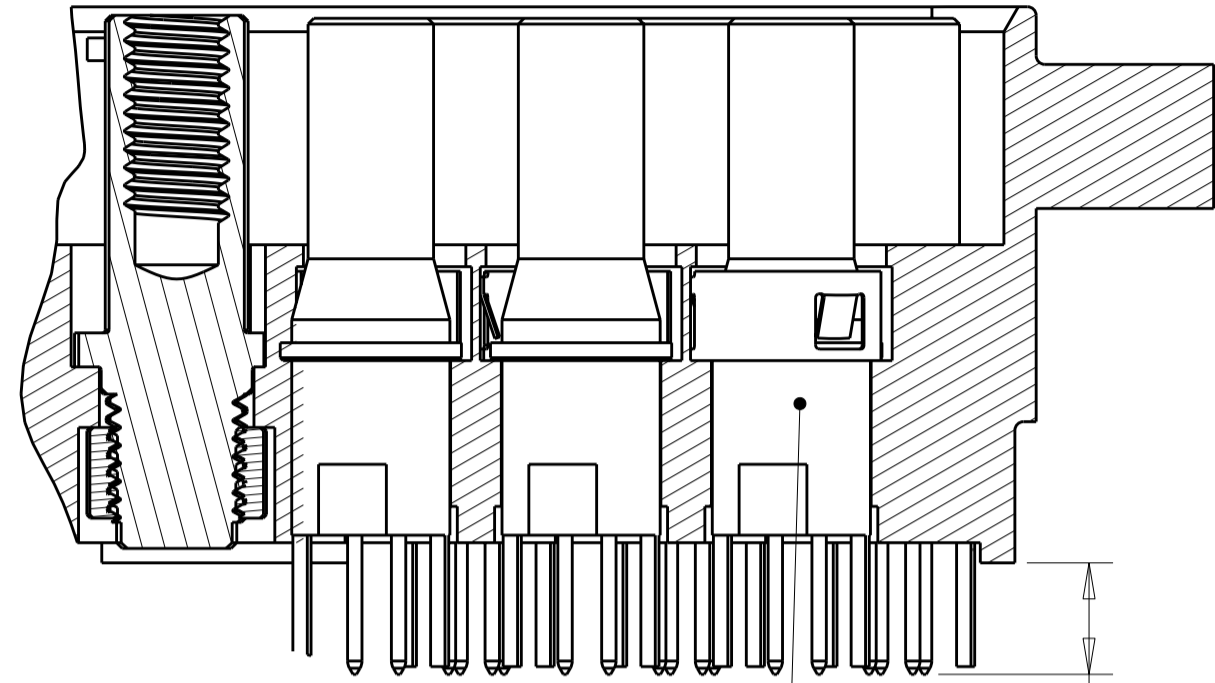
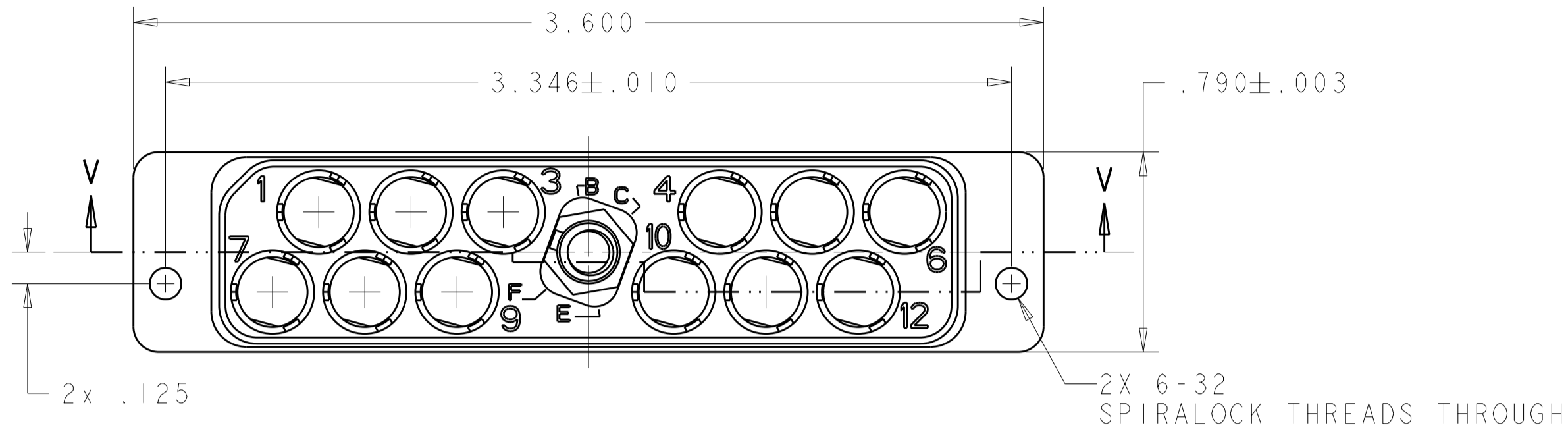
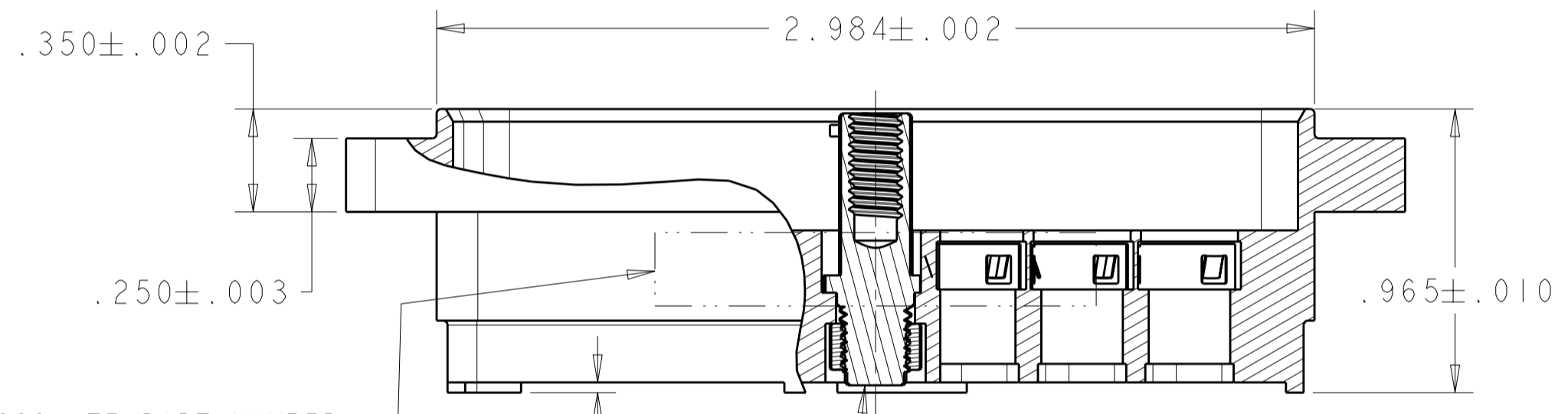


THIS DRAWING IS UNPUBLISHED. RELEASED FOR PUBLICATION 20  
 © COPYRIGHT 20 BY TYCO ELECTRONICS CORPORATION. ALL RIGHTS RESERVED.

LOC	DIST	REVISIONS					
DF	A5	P	LTR	DESCRIPTION	DATE	DWN	APVD
		B		REV PER ECR-05-18277	23DEC05	BH	RW
		C		REVISED PER ECR-06-3228	09FEB2006	BY	RPW
		D		REV PER ECO 08-000829	13MAR2008	CT	DM

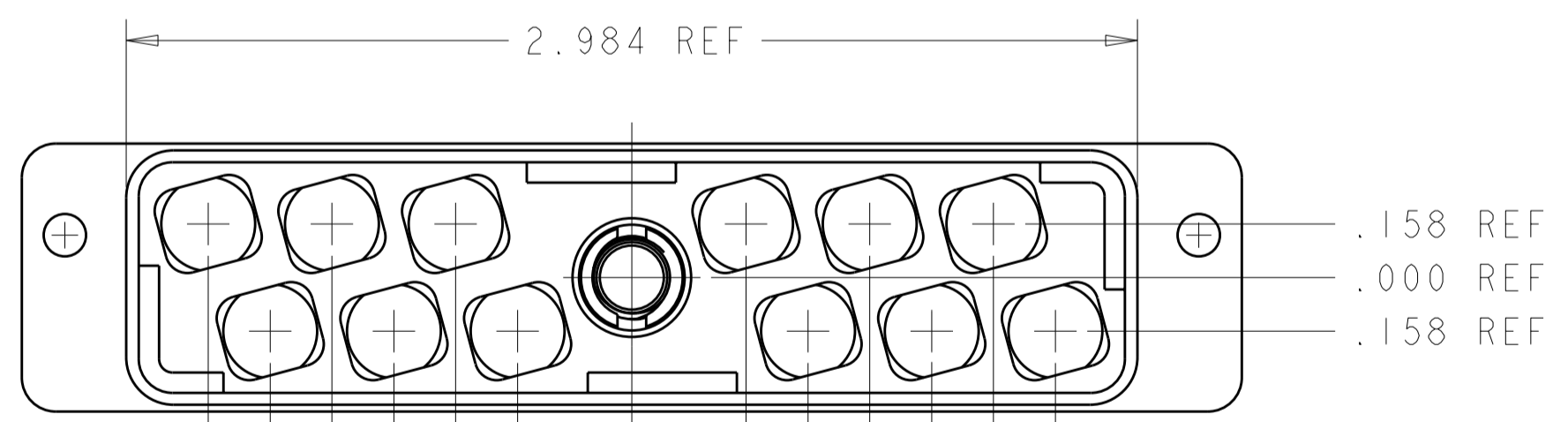


FR/FR QUADRAX PIN ASSY  
 12 REQD, NOT INCLUDED,  
 MUST BE ORDERED SEPARATELY;  
 SEE DRAWING 1445626; VARIOUS  
 TAIL LENGTHS ARE AVAILABLE



TE LOGO, TE PART NUMBER,  
 AND DATE CODE MARKED  
 APPROX AS SHOWN ON  
 NEAR OR FAR SIDE

SECTION V-V



- 1.250 REF
- 1.067 REF
- .885 REF
- .702 REF
- .520 REF
- .337 REF
- .000 REF
- .337 REF
- .520 REF
- .702 REF
- .885 REF
- 1.067 REF
- 1.250 REF

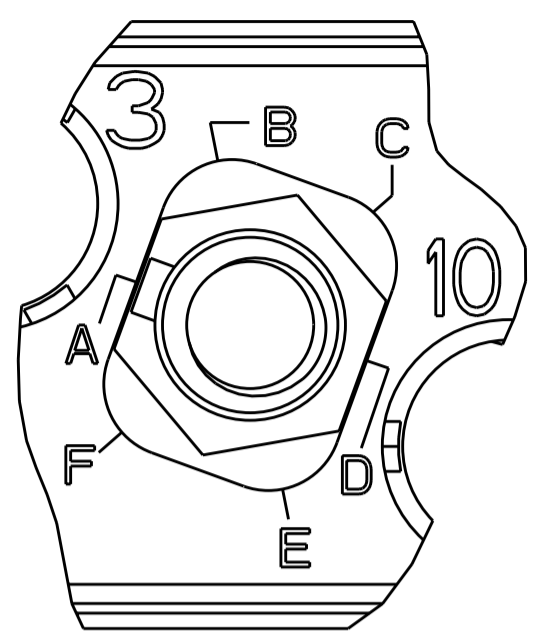
REFERENCE APPLICATION SPEC.  
 FOR RECOMMENDED BOARD LAYOUT

C	DUST COVER INCLUDED SEE SHT 2	WITH JACKPOST (FLAT POLARIZATION)	1604798-4
B	DUST COVER INCLUDED SEE SHT 2	WITH JACKPOST (FLAT POLARIZATION)	1604798-3
A	DUST COVER INCLUDED; SEE SHT 2	WITH JACKPOST (FLAT POLARIZATION)	1604798-2
-	DUST COVER NOT INCLUDED	WITHOUT JACKPOST	1604798-1
JACKPOST POLARIZATION CODE	DUST COVER P/N 1604996-1	DESCRIPTION	PART NO.

THIS DRAWING IS A CONTROLLED DOCUMENT FOR TYCO ELECTRONICS CORPORATION IT IS SUBJECT TO CHANGE AND THE CONTROLLING ENGINEERING ORGANIZATION SHOULD BE CONTACTED FOR THE LATEST REVISION.		DWN 25 JUNE 2004 BRENT D. YOHN CHK 25 JUNE 2004 W. H. BERNHART APVD 25 JUNE 2004 W. H. BERNHART	Tyco Electronics Harrisburg, PA 17105-3608
DIMENSIONS: IN	TOLERANCES UNLESS OTHERWISE SPECIFIED: 0 PLC ± 1 PLC ± 2 PLC ± 3 PLC ±.005 4 PLC ± ANGLES ± FINISH	PRODUCT SPEC APPLICATION SPEC 114-13123 WEIGHT CUSTOMER DRAWING	NAME ASSEMBLY, RECEPTACLE, QUADRAX, PWB MOUNT, FR/FR, 12 POSN SIZE A2 CAGE CODE 00779 DRAWING NO 1604798 RESTRICTED TO -
		SCALE 1:1	SHEET 1 OF 2 REV D

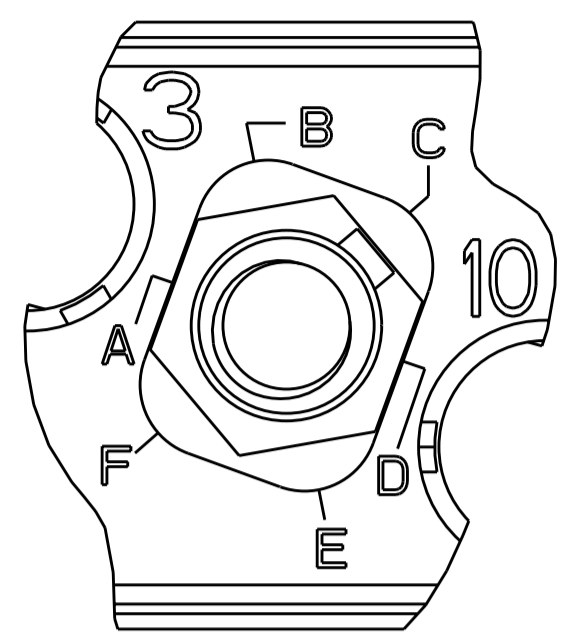
THIS DRAWING IS UNPUBLISHED. RELEASED FOR PUBLICATION 20  
 © COPYRIGHT 20 BY TYCO ELECTRONICS CORPORATION. ALL RIGHTS RESERVED.

LOC	DIST	REVISIONS					
DF	A5	P	LTR	DESCRIPTION	DATE	DWN	APVD
		-		SEE SHEET 1			



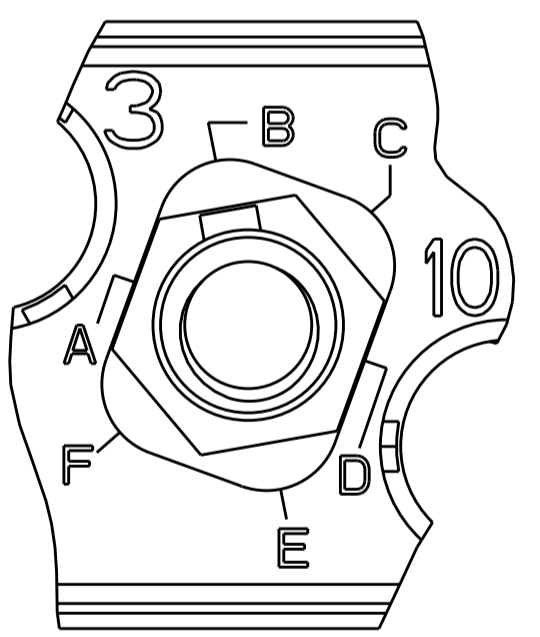
**1604798-2  
 PLZN CODE A  
 (FLAT PLZN)**

(PLZN CODES, A THRU F,  
 SHOWN FOR REF ONLY; MARKING  
 ON SHELL WILL ONLY SHOW  
 CODES B,C,E AND F)



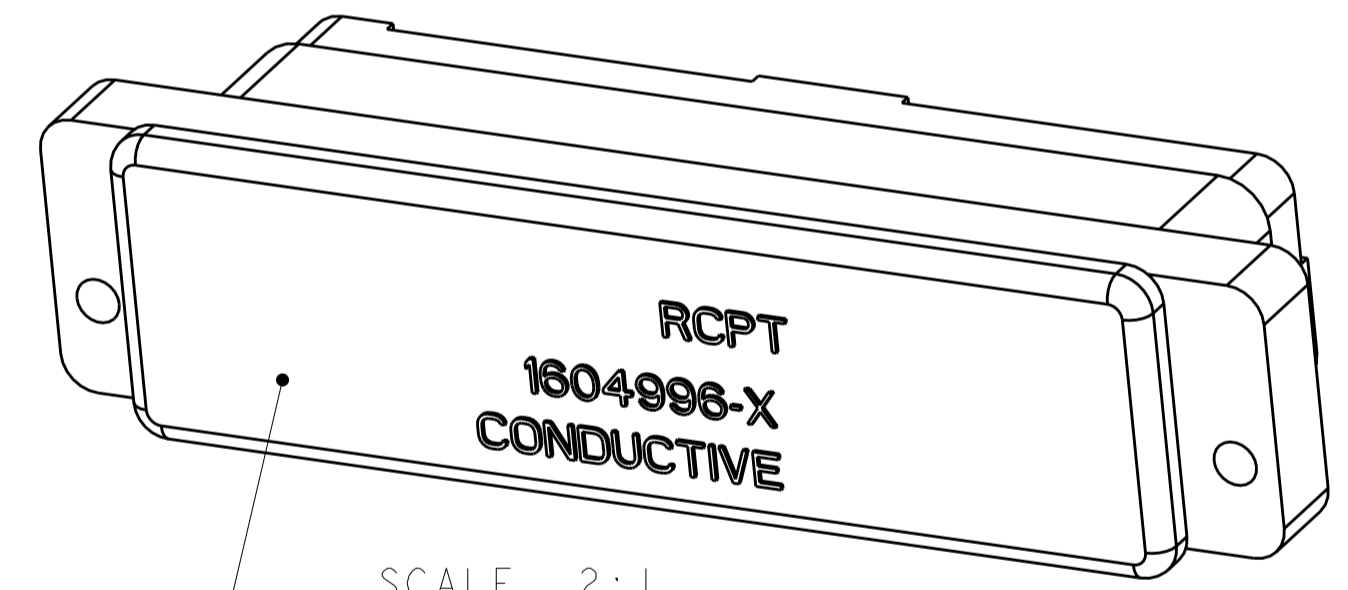
**1604798-4  
 PLZN CODE C  
 (FLAT PLZN)**

(PLZN CODES, A THRU F,  
 SHOWN FOR REF ONLY; MARKING  
 ON SHELL WILL ONLY SHOW  
 CODES B,C,E AND F)



**1604798-3  
 PLZN CODE B  
 (FLAT PLZN)**

(PLZN CODES, A THRU F,  
 SHOWN FOR REF ONLY; MARKING  
 ON SHELL WILL ONLY SHOW  
 CODES B,C,E AND F)



SCALE 2:1

ESD DUST COVER; PART NUMBER 1604996-1  
 INCLUDED WITH ASSY PART NUMBER  
 1604798-2, -3 AND -4

**SHOWN WITH DUST COVER**

THIS DRAWING IS A CONTROLLED DOCUMENT FOR TYCO ELECTRONICS CORPORATION IT IS SUBJECT TO CHANGE AND THE CONTROLLING ENGINEERING ORGANIZATION SHOULD BE CONTACTED FOR THE LATEST REVISION.		DWN Brent D. Yohn 25 JUNE 2004	Tyco Electronics Harrisburg, PA 17105-3608	
DIMENSIONS: IN		CHK W.H. BERNHART 25 JUNE 2004	NAME ASSEMBLY, RECEPTACLE, QUADRAX, PWB MOUNT, FR/FR, 12 POSN	
TOLERANCES UNLESS OTHERWISE SPECIFIED:		APVD W.H. BERNHART 25 JUNE 2004	RESTRICTED TO	
0 PLC ± 1 PLC ± 2 PLC ± 3 PLC ± 4 PLC ± ANGLES ± FINISH		PRODUCT SPEC - APPLICATION SPEC -	SIZE A2	CAGE CODE 00779
MATERIAL -		WEIGHT -	DRAWING NO 1604798	SCALE 4:1
		CUSTOMER DRAWING		SHEET 2 OF 2 REV D