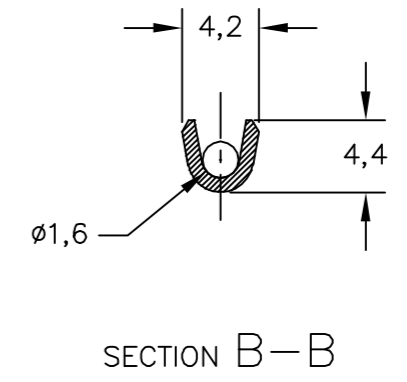
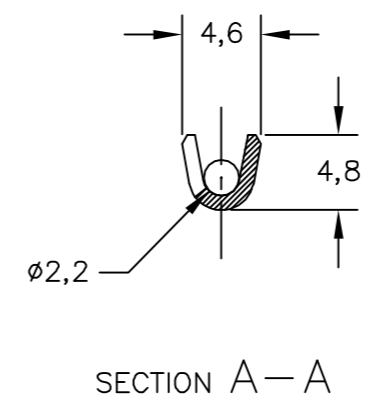
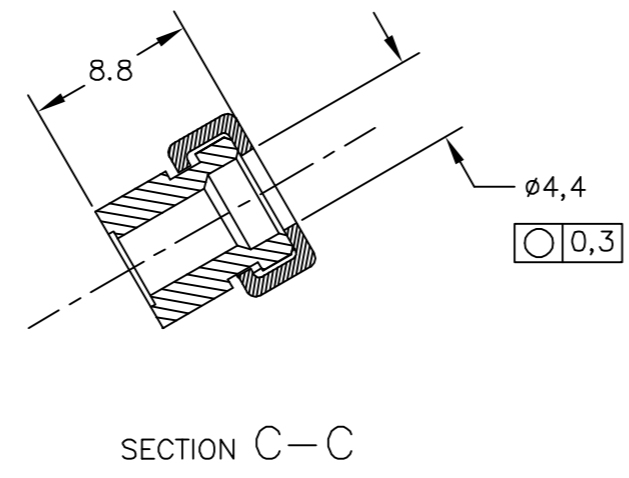
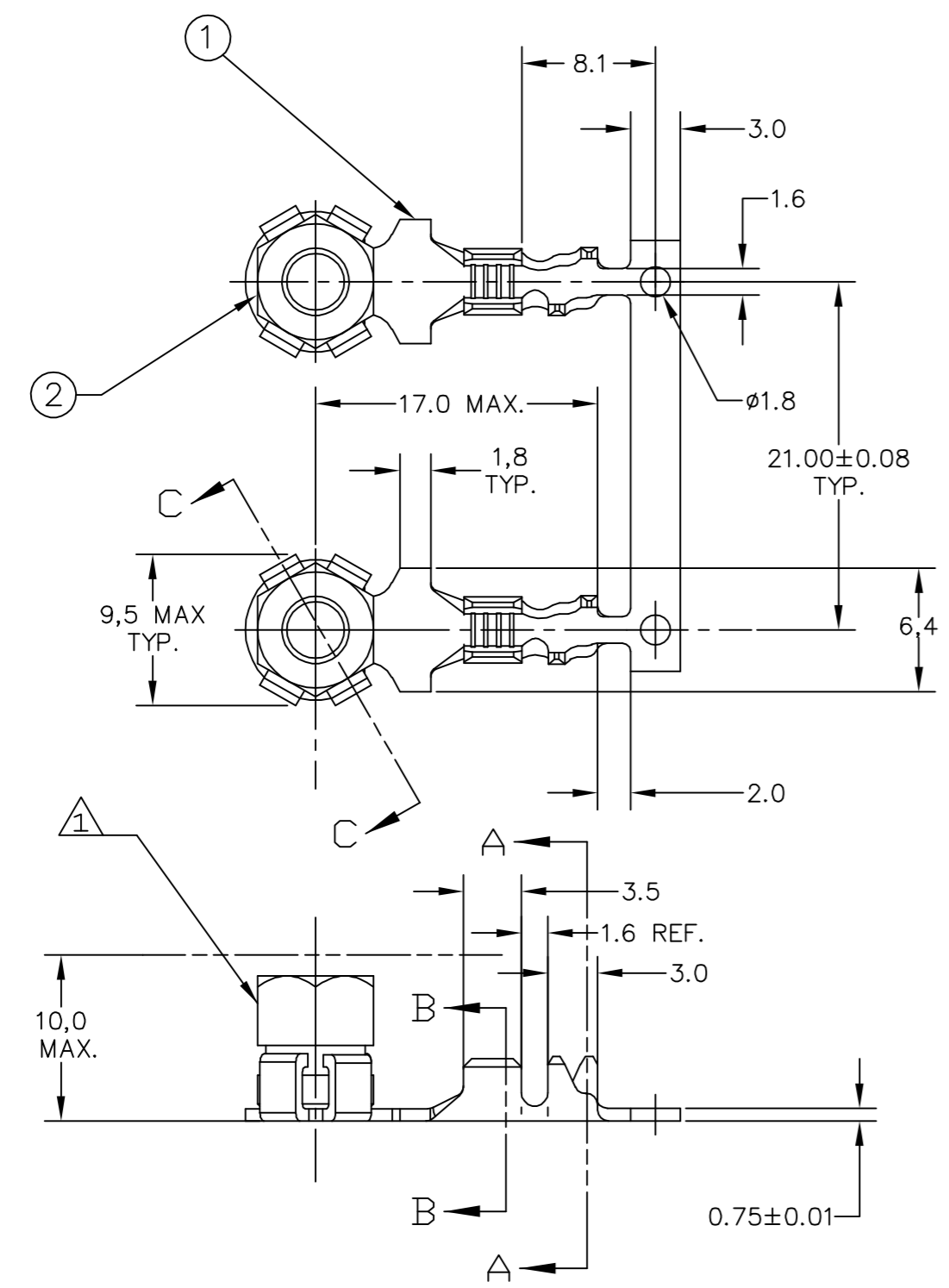
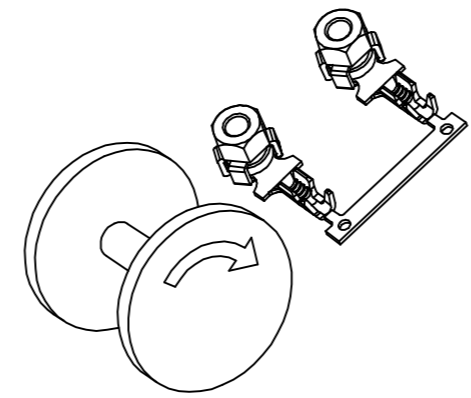
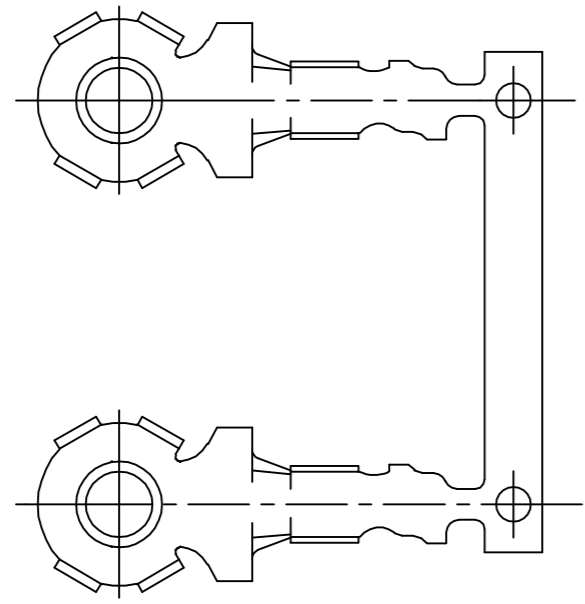


LOC	DIST	REVISIONS				
P	LTR	LT	DESCRIPTION	DATE	DWN	APVD
			DESCRICO	DATA	DES	APR
	F1		REVISED DESIGN ECO-11-015971	11AUG2011	NCL	MG
	F2		REVISED DESIGN ECO-12-001803	07FEB2012	NCL	GOJ



- 1 - PORCA SEXTAVADA SW7xM4, AUTO TRAVANTE, AÇO BAIXO CARBONO, ZINCADO BICROMATIZADO (CROMO TRIVALENTE)
- SW7x M4 SELF LOCKING, HEXAGONAL NUT, LOW CARBON STEEL, ZINC PLATING BICHROMATED (TRIVALENT CHROMIUM).
- 2 - GARRA DO CONDUTOR PARA "F" CRIMP E GARRA DO ISOLANTE PARA "O" CRIMP.
- WIRE BARREL FOR "F" CRIMP AND INSULATION FOR "O" CRIMP.
- 3 - ALTURAS E LARGURAS DE FECHAMENTO PARA 14AWG / 16AWG.
CONDUTOR (CRIMP WIDTH): ISOLANTE (INSULATION CRIMP WIDTH)
LARGURA: .130 "F" .140"O"
ALTURA (CRIMP HEIGHT): 14AWG - 2,54mm.
16AWG - 2,36mm.
- 4 - TORQUE ESPECIFICADO PARA PORCA DO TERMINAL É 3,0Nm±0,5Nm.
THE TORQUE SPECIFIED FOR NUT TERMINAL IS 3,0Nm±0,5Nm.
- 5 - PORCA SEXTAVADA SW7xM4, AÇO BAIXO CARBONO, ZINCADO BICROMATIZADO (CROMO TRIVALENTE).
- HEXAGONAL NUT SW7xM4, LOW CARBON STEEL, ZINC PLATING BICHROMATED (TRIVALENT CHROMIUM).
- 6 - PORCA SEXTAVADA SW7xM4, AUTO TRAVANTE, LATÃO, Cu Zn38 Pb1,5, SEM ACABAMENTO.
- HEXAGONAL NUT SW7xM4, SELF LOCKING, BRASS Cu Zn38 Pb1,5, WITHOUT PLATING.
- 7 - PORCA SEXTAVADA SW7xM4, LATÃO (CuZn38 Pb1,5) SEM ACABAMENTO.
- HEXAGONAL NUT SW7xM4, BRASS (CuZn38 Pb1,5) WITHOUT PLATING.



DIRECTION OFF TOP OF REEL
TYCO SPEC. 107-3 FIG.1

WIRE RANGE	INS. RANGE	REQ. PER ASSY	ITEM	DESCRIPTION	MATERIAL	FINISH
14-16 AWG	Ø1,90-2,40	-5 -4 -3 -2 -1	5	NUT M4		
			4	NUT M4		
			3	NUT M4		
			2	NUT M4		
			1	TERMINAL RING TONGUE	BRONZE PHOS.	PRE-TIN/PRE-ESTANHADO

THIS DRAWING IS A CONTROLLED DOCUMENT.		DWN/DES N.C.LAPRESA 21JAN2004	TE Connectivity	
DIMENSIONS: DIMENSUES mm		CHK/CH P.L.FARIA 02DEC2003	ASSY., TERMINAL RING TONGUE, M4	
TOLERANCES UNLESS OTHERWISE SPECIFIED: TOLERANCIA NCO ESPECIFICADAS		APVD/APR N.M.SANTOS 02DEC2003	NAME DESCRICAO	
0 PLC/DEC ± -		PRODUCT SPEC	SIZE CAGE CODE DRAWING NO DESENHO NO	
1 PLC/DEC ± 0,3		APPLICATION SPEC	A2 00779 1599297	
2 PLC/DEC ± -		WEIGHT	RESTRICTED TO	
3 PLC/DEC ± -			SCALE ESCALA 5:1 SHEET FOLHA 1 DE 1 REV F2	
4 PLC/DEC ± -				
ANGLES/ANGULARES ±1'				
FINISH ACABAMENTO				