

THIS DRAWING IS UNPUBLISHED.

RELEASED FOR PUBLICATION

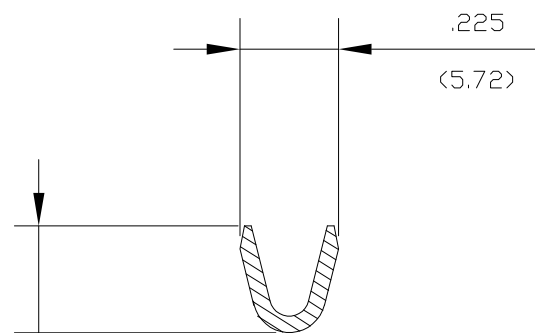
ALL RIGHTS RESERVED.

© COPYRIGHT - By -

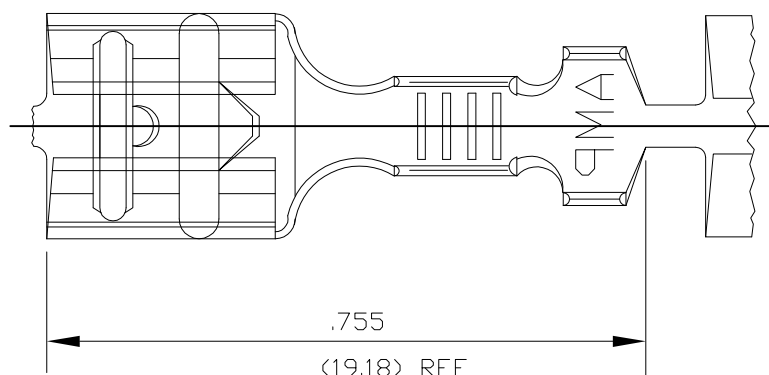
LOC AF DIST 50

REVISIONS

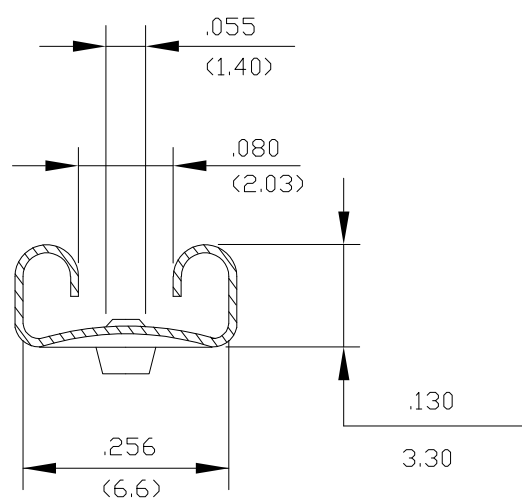
P	LTR	DESCRIPTION	DATE	DWN	APVD
	H2	REV PER ECO 12-008602	07MAY12	JR	PD



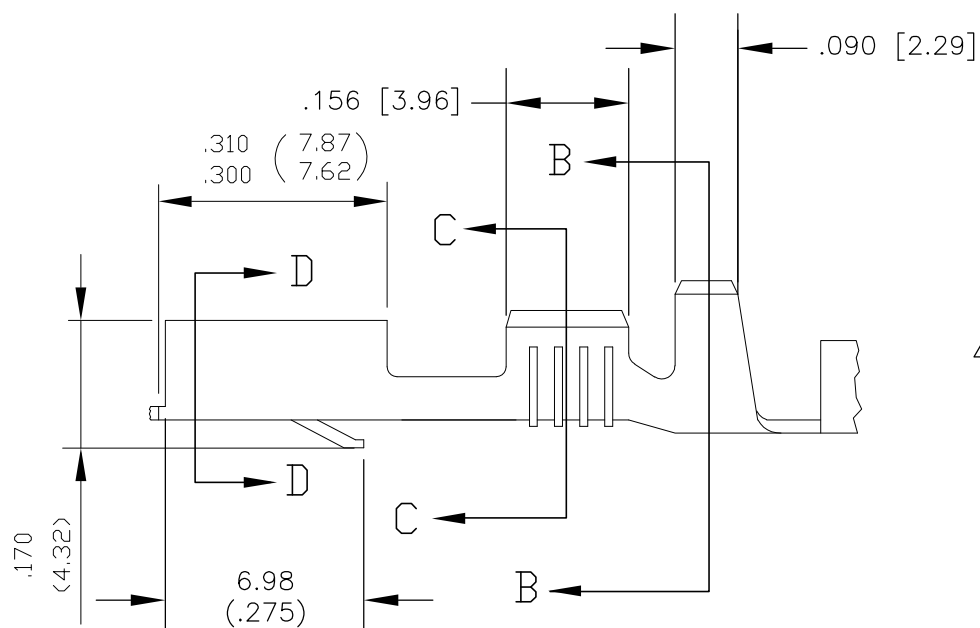
SECTION C - C



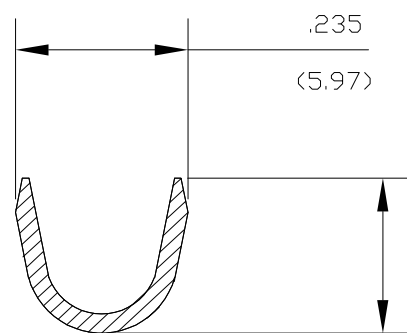
.225 (5.72) REF



SECTION D - D



1. ALL DIMENSIONS ARE IN INCHES (mm).
2. GENERAL TOLERANCES ±.010 (±0.25).
3. OBSOLETE PARTS: OBSOLETE CIS STREAMLINING PER D.RENAUD/D.SINISI



SECTION B - B

	FINISH	MATERIAL	AMP P/N
3	OBSOLETE	TIN	PH BRZ 156503-4
3	OBSOLETE	N O N E	PH BRZ 156503-3
		TIN	BRASS 156503-2
3	OBSOLETE	N O N E	BRASS 156503-1

THIS DRAWING IS A CONTROLLED DOCUMENT.

DWN R FLAIG 19SEP02

CHK N DEIBERT 19SEP2002

APVD N DEIBERT 19SEP2002

PRODUCT SPEC

APPLICATION SPEC

WEIGHT -



NAME 250 SERIES FASTIN - FASTON RECEPTACLE

SIZE A3 CAGE CODE 00779 DRAWING NO C-156503 RESTRICTED TO -

DIMENSIONS:	TOLERANCES UNLESS OTHERWISE SPECIFIED:
INCHES	
0 PLC	± -
1 PLC	± -
2 PLC	± -
3 PLC	± -
4 PLC	± -
ANGLES	± -

MATERIAL SEE TABLE FINISH SEE TABLE

CUSTOMER DRAWING SCALE 1:1 SHEET 1 OF 1 REV H2