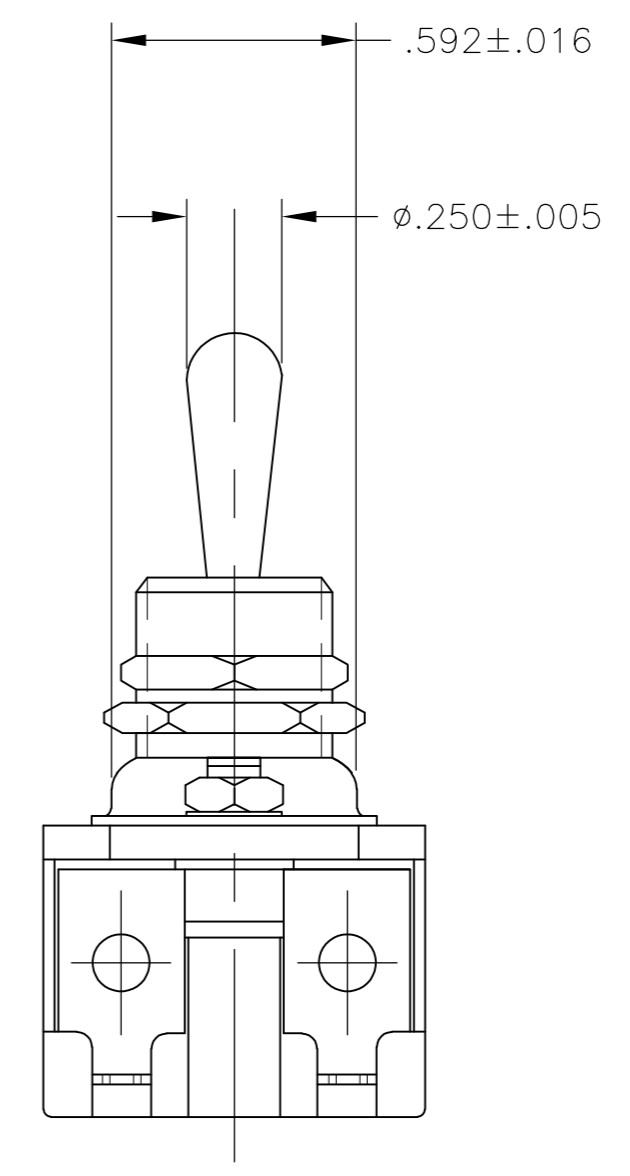
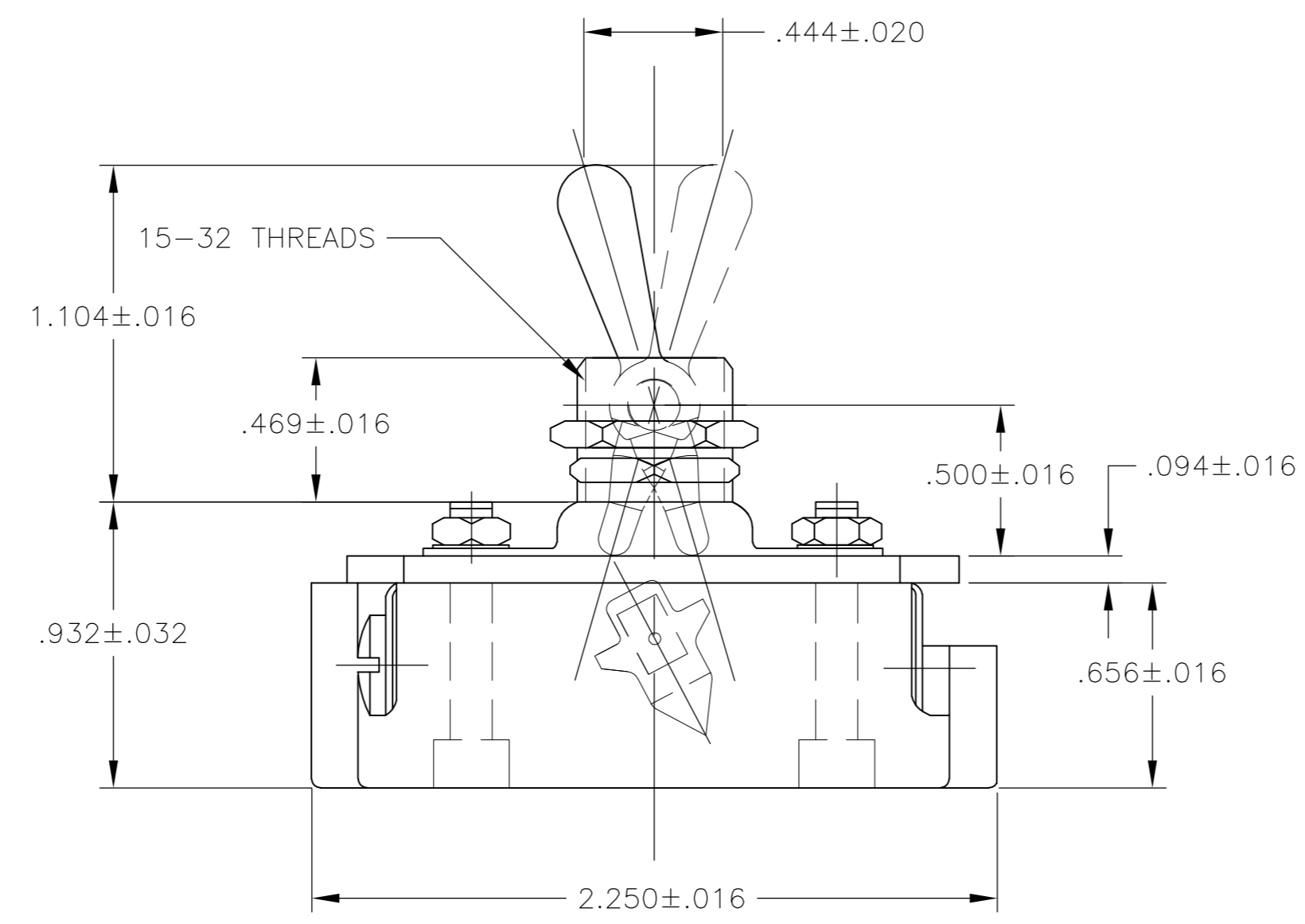
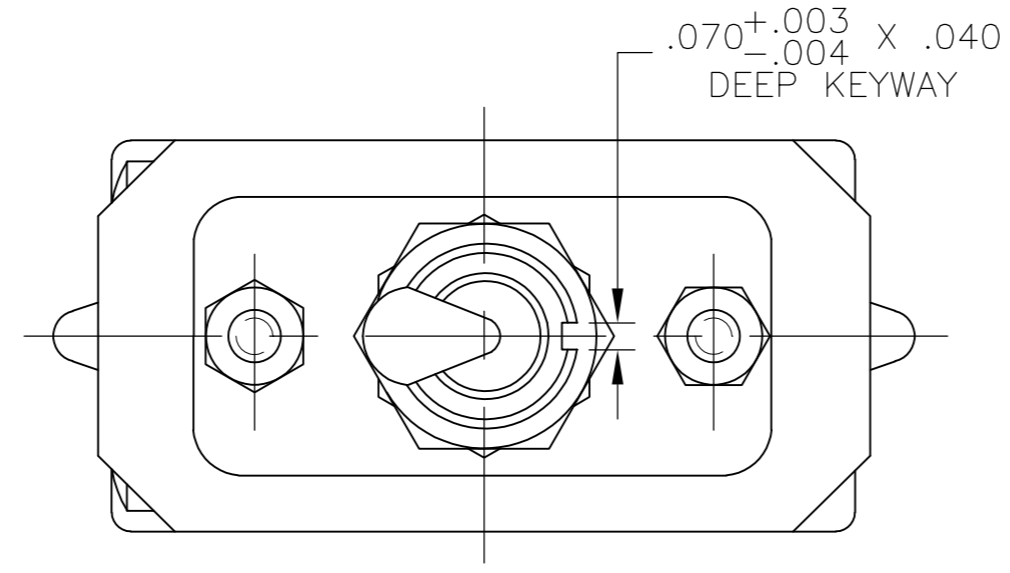
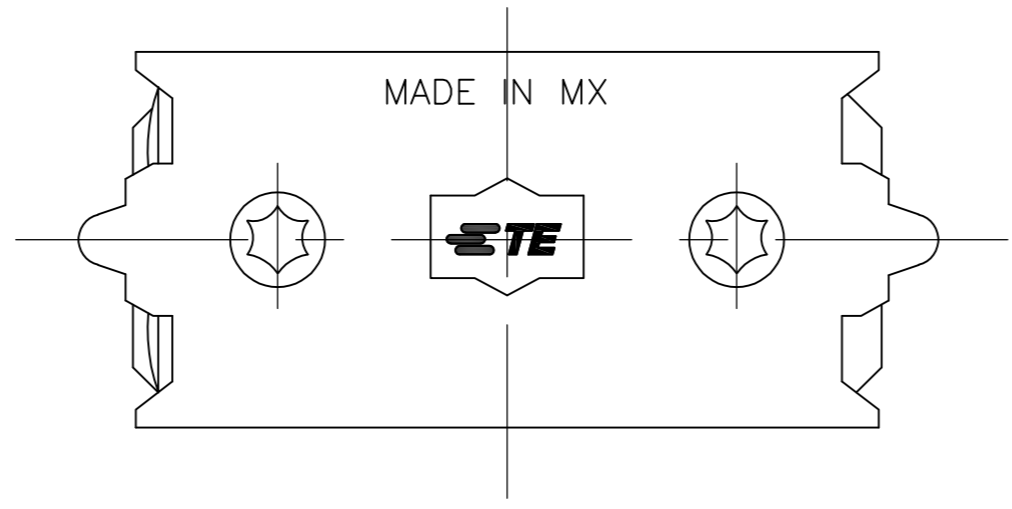
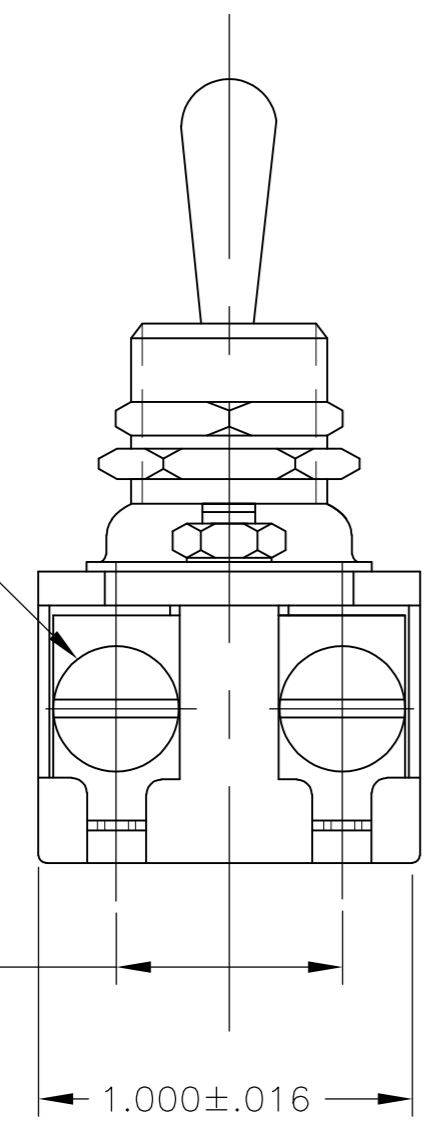


THIS DRAWING IS UNPUBLISHED. RELEASED FOR PUBLICATION  
 © COPYRIGHT - 04APR12 ALL RIGHTS RESERVED.

LOC		DIST		REVISIONS			
P	LTR	DESCRIPTION	DATE	DWN	APVD		
0		REVISED PER ECO-12-006097	04APR12	KH	PO		



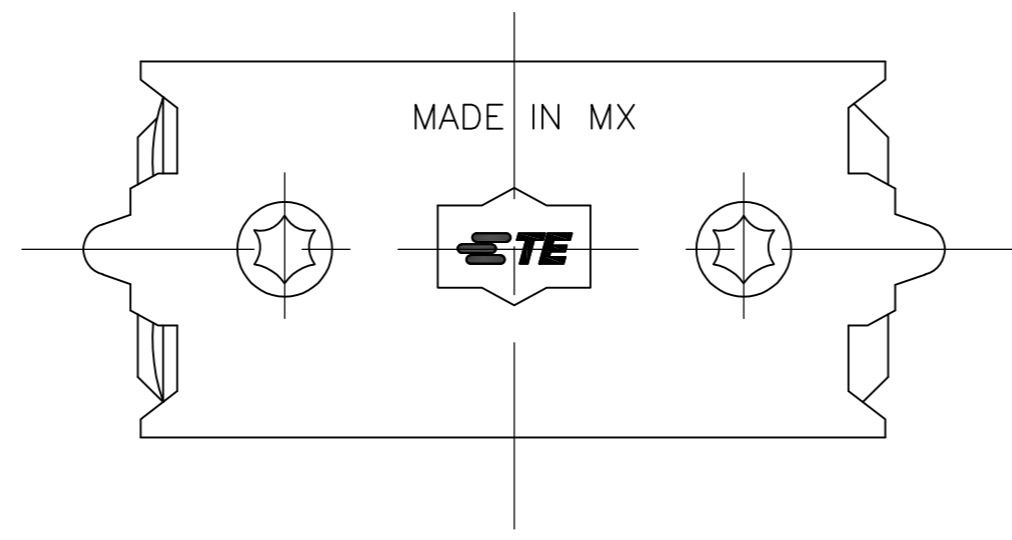
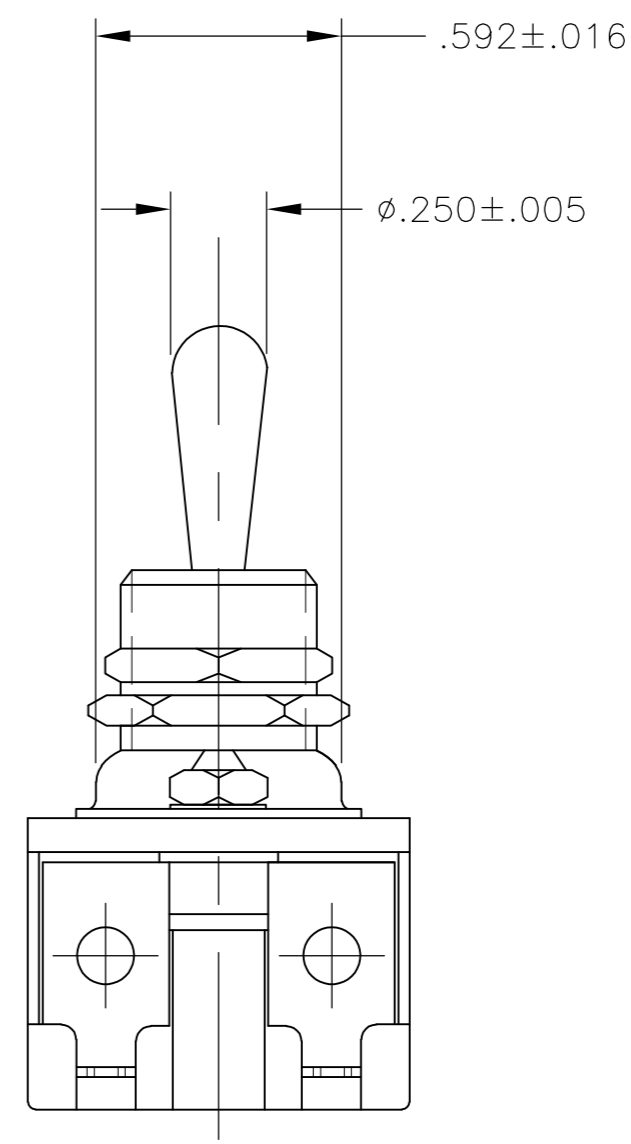
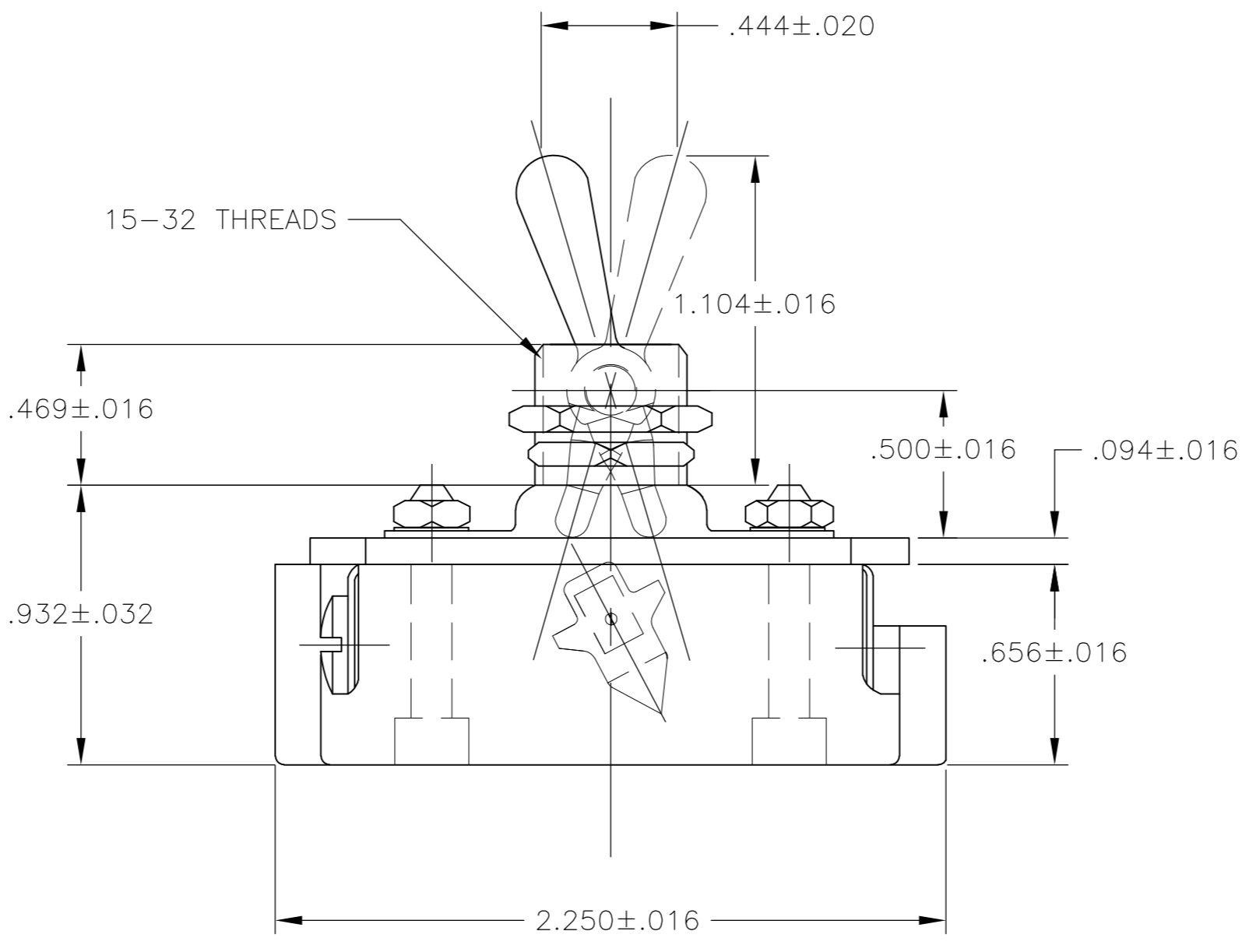
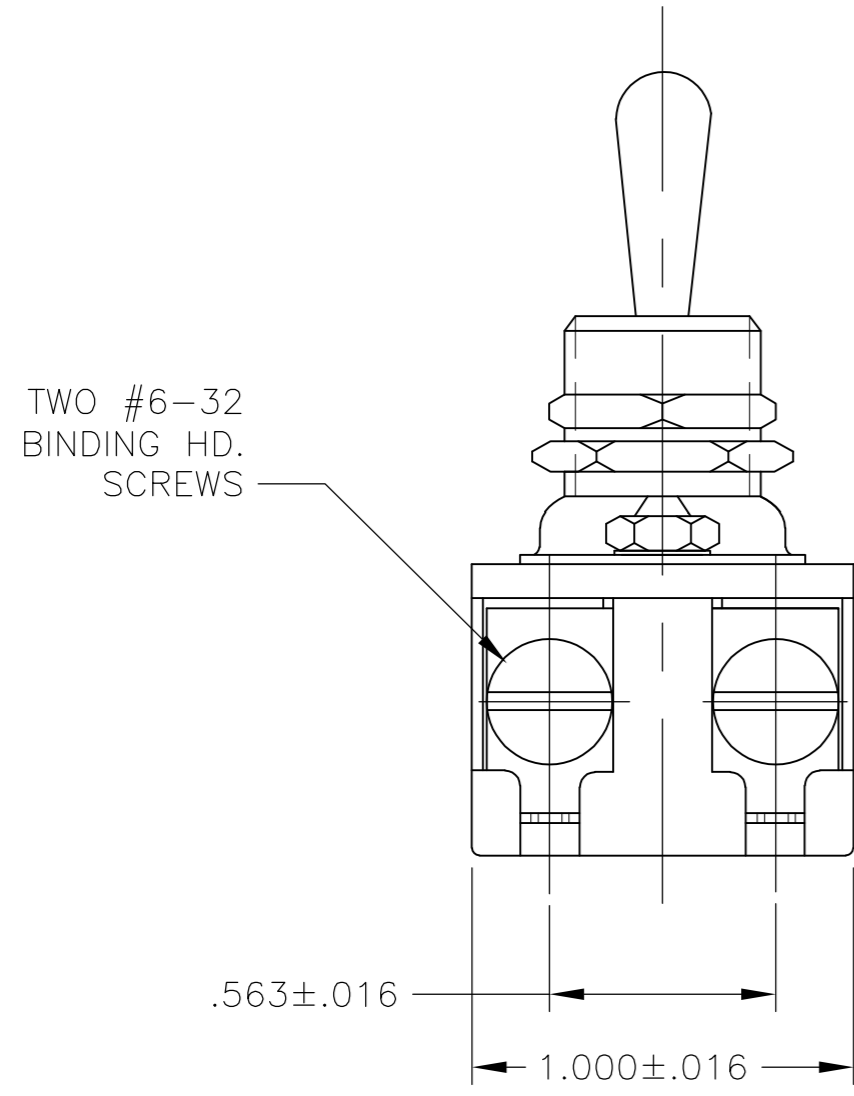
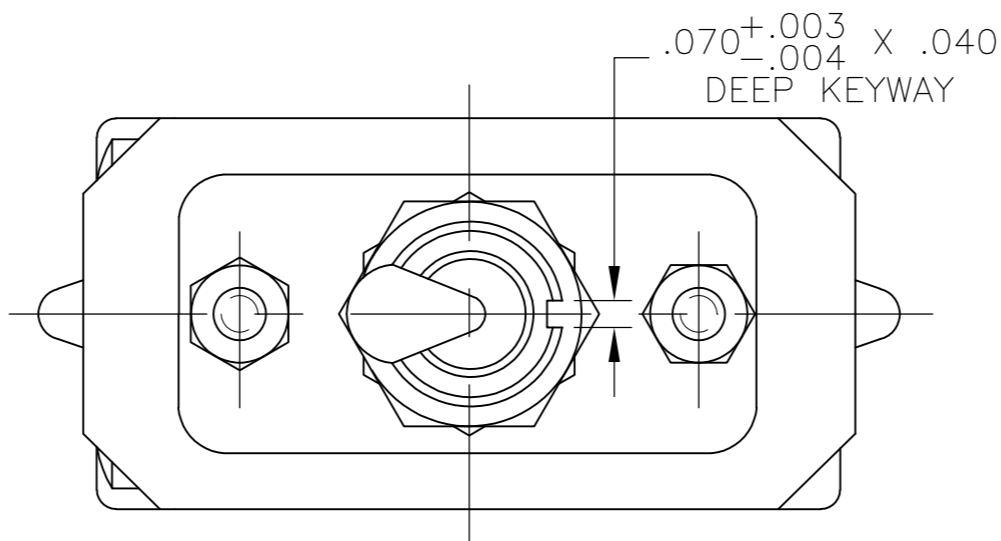
TWO #6-32  
BINDING HD.  
SCREWS



THIS DRAWING IS A CONTROLLED DOCUMENT.		DWN KIRAN HOLAL 04APR12	TE Connectivity																			
DIMENSIONS: INCHES		CHK OTT PETER 04APR12																				
TOLERANCES UNLESS OTHERWISE SPECIFIED:		APVD OTT PETER 04APR12	NAME SINGLE POLE 10A 250V ONE HOLE MID TOOL HANDLE TOGGLE SWITCH																			
<table border="1"> <tr><td>0 PLC</td><td>±</td><td>-</td></tr> <tr><td>1 PLC</td><td>±</td><td>-</td></tr> <tr><td>2 PLC</td><td>±</td><td>-</td></tr> <tr><td>3 PLC</td><td>±</td><td>-</td></tr> <tr><td>4 PLC</td><td>±</td><td>-</td></tr> <tr><td>ANGLES</td><td>±</td><td>-</td></tr> </table>		0 PLC	±	-	1 PLC	±	-	2 PLC	±	-	3 PLC	±	-	4 PLC	±	-	ANGLES	±	-	PRODUCT SPEC -	SIZE A2	
0 PLC	±	-																				
1 PLC	±	-																				
2 PLC	±	-																				
3 PLC	±	-																				
4 PLC	±	-																				
ANGLES	±	-																				
MATERIAL -		FINISH -	APPLICATION SPEC -	CAGE CODE 00779																		
		WEIGHT -	DRAWING NO C=1520117	RESTRICTED TO -																		
		CUSTOMER DRAWING	SCALE 2:1	SHEET 1 of 2																		
			REV 0																			

THIS DRAWING IS UNPUBLISHED. RELEASED FOR PUBLICATION  
 © COPYRIGHT - By - ALL RIGHTS RESERVED.

LOC		DIST		REVISIONS			
P	LTR	DESCRIPTION	DATE	DWN	APVD		
-	-	SEE SHEET 1	-	-	-		



THIS DRAWING IS A CONTROLLED DOCUMENT.		DWN KIRAN HOLAL 04APR12	TE Connectivity	
DIMENSIONS: INCHES		CHK OTT PETER 04APR12		
TOLERANCES UNLESS OTHERWISE SPECIFIED:		APVD OTT PETER 04APR12	NAME SINGLE POLE 10A 250V ONE HOLE MID TOOL HANDLE TOGGLE SWITCH	
0 PLC ± - 1 PLC ± - 2 PLC ± - 3 PLC ± - 4 PLC ± - ANGLES ± -		PRODUCT SPEC	SIZE CAGE CODE DRAWING NO RESTRICTED TO	
MATERIAL		APPLICATION SPEC	A2 00779 C-1520117	
FINISH		WEIGHT	SCALE 2:1 SHEET 2 OF 2 REV A	
		CUSTOMER DRAWING		