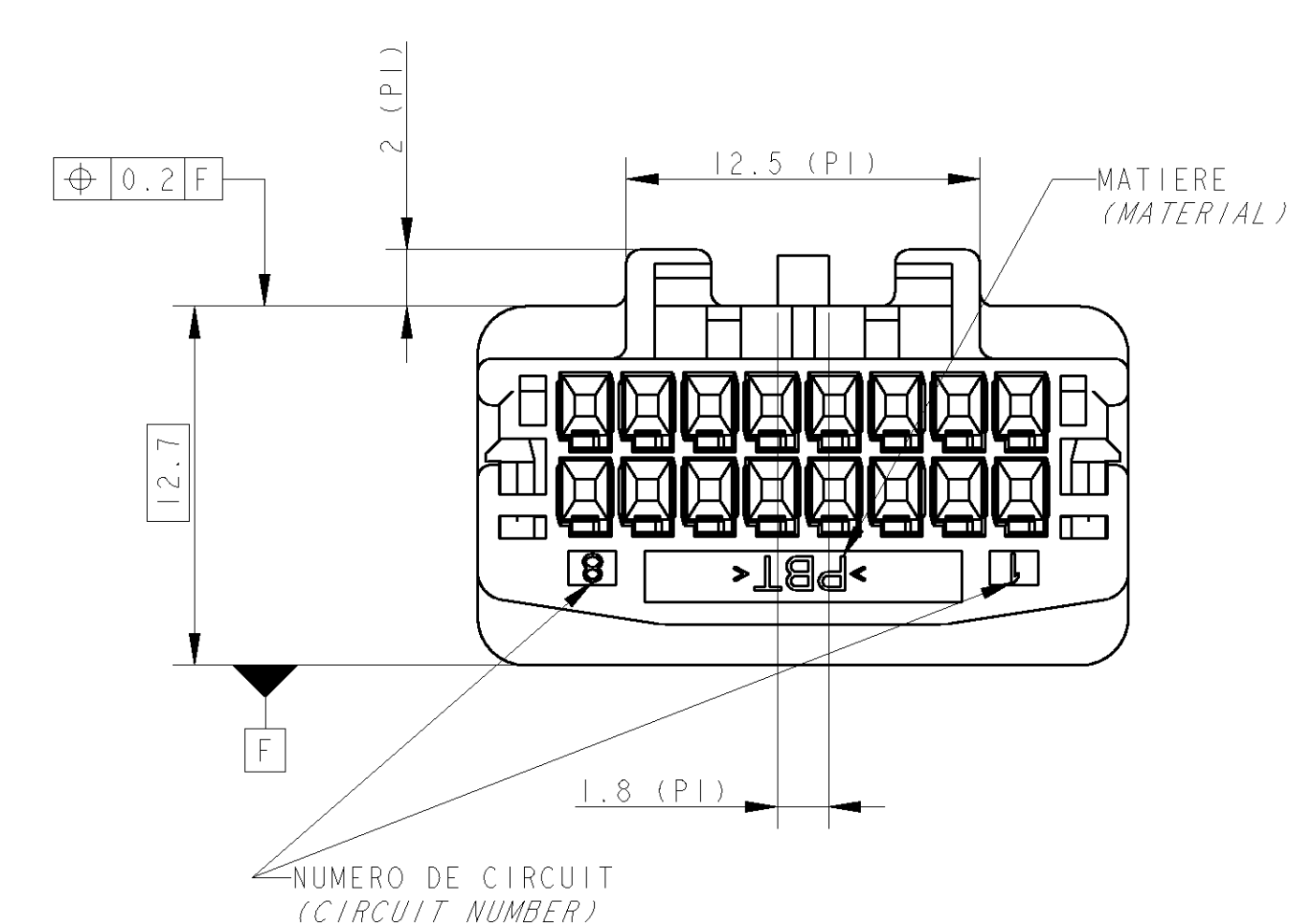
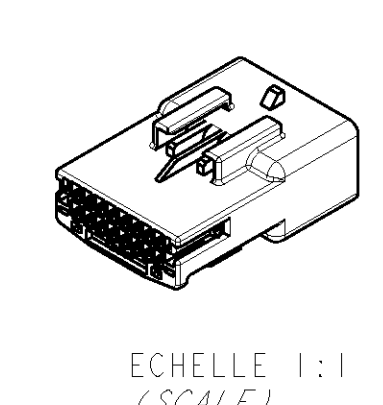
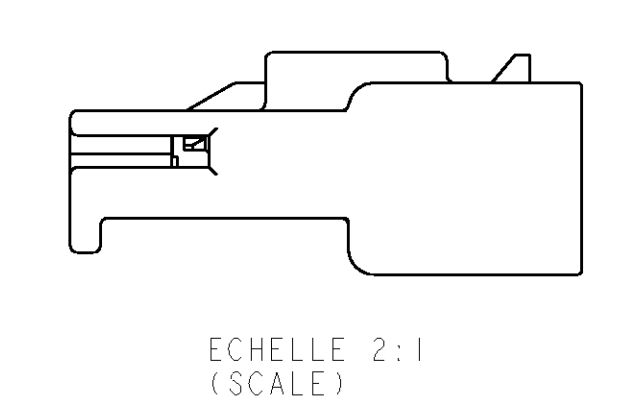
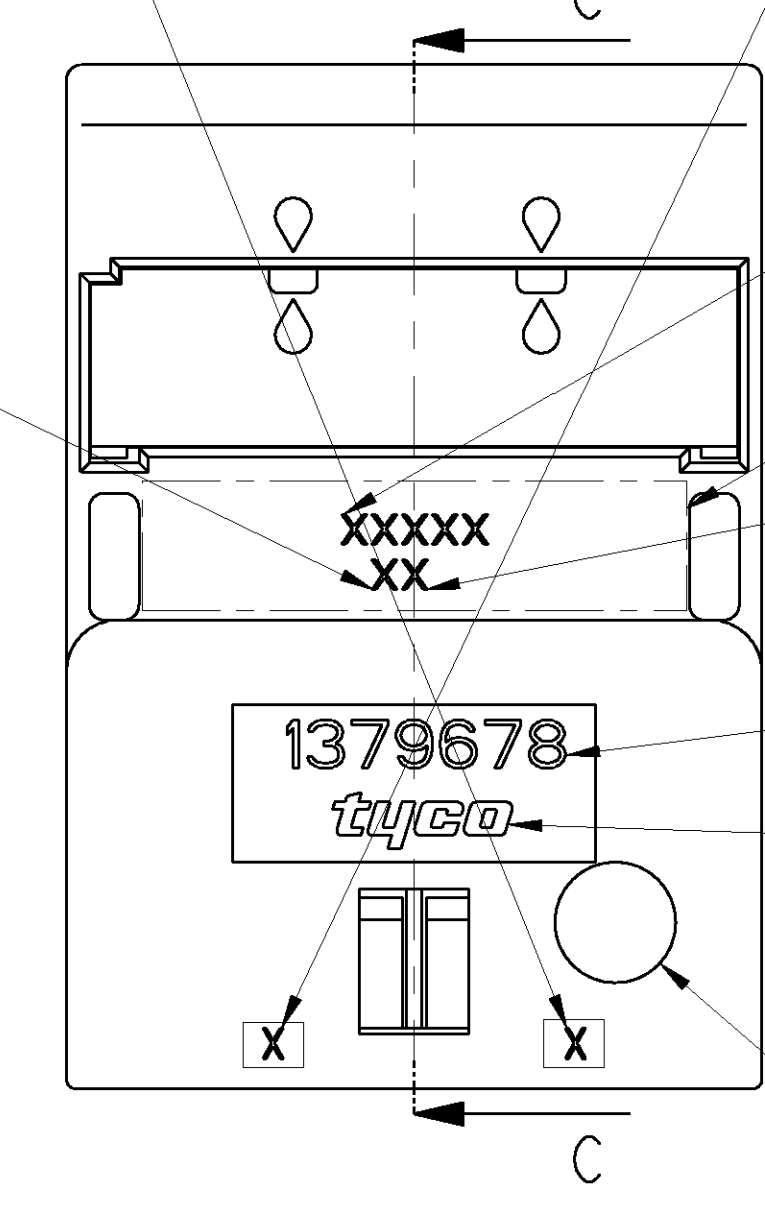
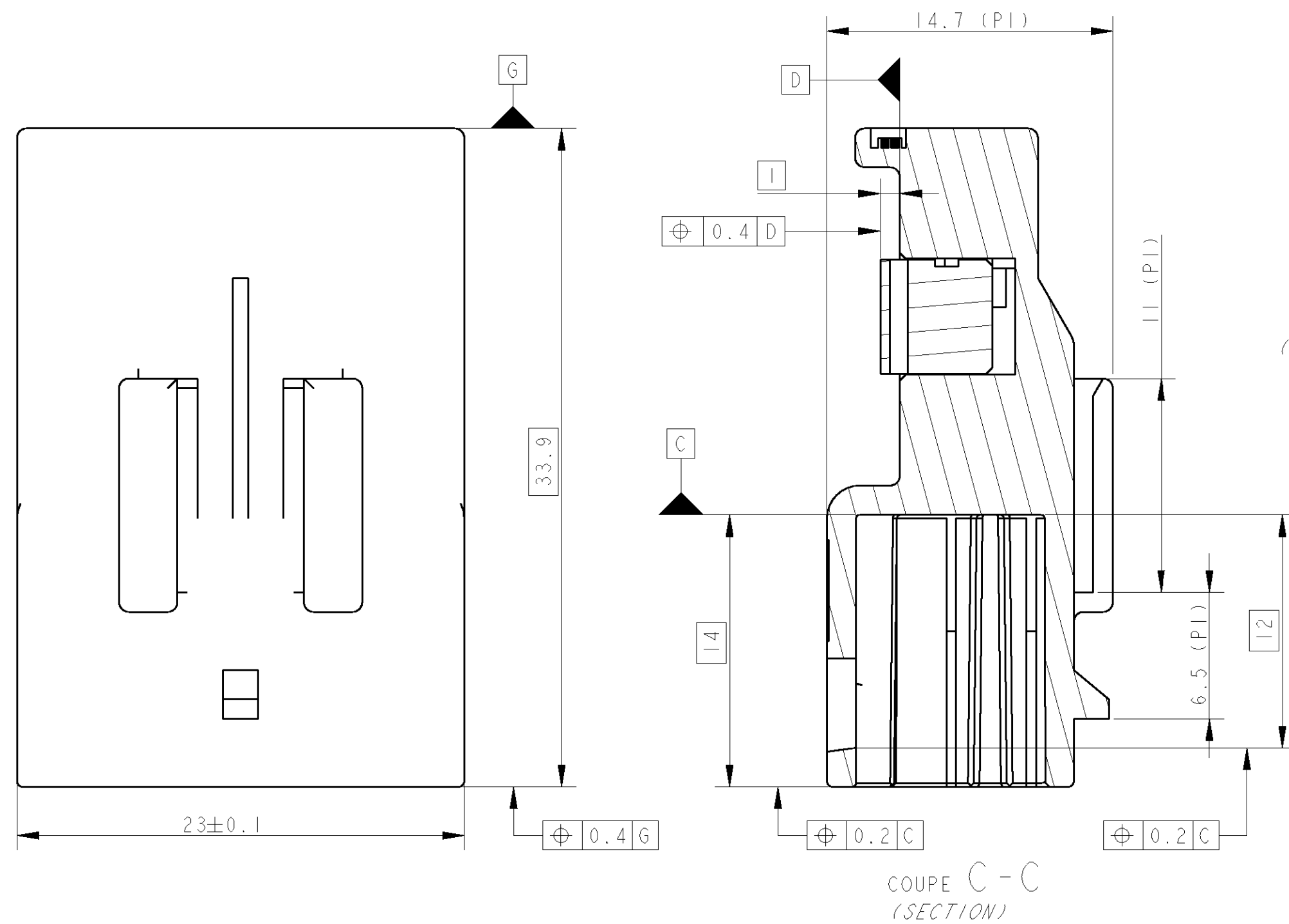


NOTES : LES NOTES LOCALES SONT ENTRE <->
 SPECIFICATIONS DE REFERENCE :
 SPECIFICATION TYCO : 108-15299
 PLAN D'INTERFACE TYCO : 1379777
 NOTES COMPLEMENTAIRES :
 CAHIER DE PRECONISATION : 411-15672
 REFERENCE REPRESENTEE : 1379678-1
 VERRU SECONDAIRE PREVERROUILLE (POSITION PREFERENTIELLE DE LIVRAISON). SI LE VERRU N'EST PAS DANS CETTE POSITION, SUIVRE LES INSTRUCTIONS DE LA NOTICE TECHNIQUE TYCO 411-15672 §8.2 POUR INFORMATION

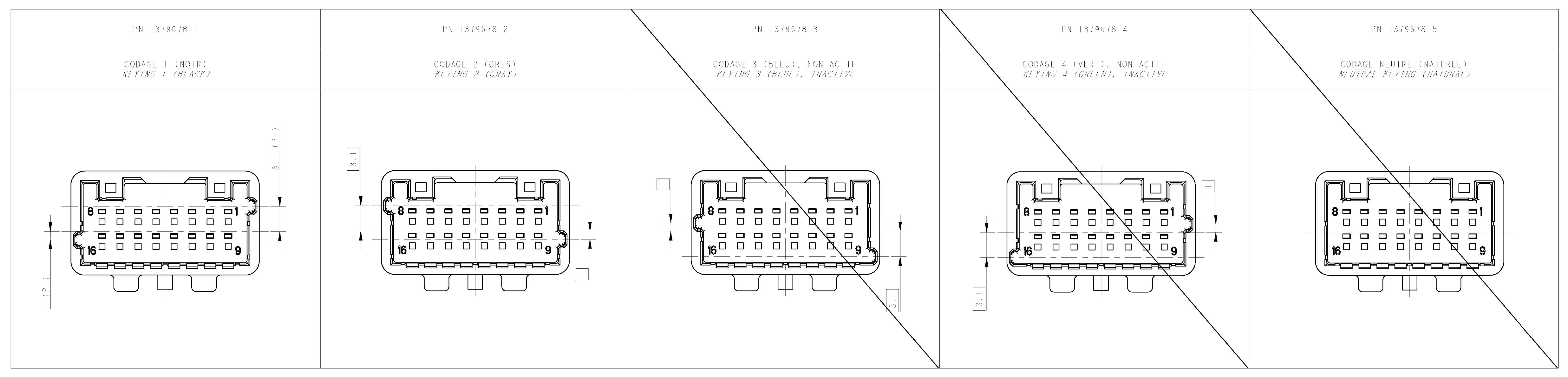
LOCALE NOTES ARE BETWEEN <->
 APPLICABLE SPECIFICATION :
 TYCO SPECIFICATION (SEE BEFORE)
 TYCO INTERFACE DRAWING (SEE BEFORE)
 ADDITIONAL NOTES :
 INSTRUCTION SHEET : (SEE BEFORE)
 PART NUMBER SHOWN (SEE BEFORE)
 SECONDARY LOCK IN PRELOCKED POSITION (PREFERRED DELIVERY POSITION). IF SECONDARY LOCKING IS NOT IN THIS POSITION, FOLLOW INSTRUCTIONS OF TYCO SPECIFICATION 411-15672 §8.2 FOR REFERENCE ONLY



CONTACTS ASSOCIÉS (APPLIED CONTACTS)		
REF TYCO (TYCO PN)	FINITION (FINISH)	DESIGNATION (DESIGNATION)
-	-	-
1674742-1	ETAME (TINNED)	LANGUETTE .635 (.635 TAB) 0.35 A 0.5 MM ² (SQMM)

REF TYCO / TYCO PN	DESCRIPTION / DESCRIPTION	CODAGE / KEYING	MATIERE BOITIER - MATIERE VERRU SECONDAIRE / HOUSING MATERIAL - RETAINER MATERIAL	COULEUR BOITIER - COULEUR VERRU SECONDAIRE / HOUSING COLOR - RETAINER COLOR	REVISION ASSEMBLAGE / ASSEMBLY REVISION CODE
-	-	-	-	-	-
1379678-2	CONNECTEUR 16 VOIES / 16 WAY CONNECTOR	2 / 2	PBT-PBT / PBT-PBT	GRIS-NATUREL / GREY-NATURAL	0
1379678-1	CONNECTEUR 16 VOIES / 16 WAY CONNECTOR	1 / 1	PBT-PBT / PBT-PBT	NOIR-NATUREL / BLACK-NATURAL	0

DIMENSIONS: mm TOLERANCES UNLESS OTHERWISE SPECIFIED: USUALLY IN DECIMALS: 1 PLC/DCC: ± 2 PLC/DCC: ±0.2 3 PLC/DCC: ± 4 PLC/DCC: ± ANGLES: ±4°		DWN / DESIGN: 29OCT2002 D. BANCE CHK / PREPARE: 04NOV2002 B. DUPONT APVD / APPROVE: 04NOV2002 IP: PLCAUD PRODUCT SPEC: SEE TABLE SPEC. PRODUCT: SEE TABLE APPLICATION SPEC: SEE TABLE SPEC. APPLICATION: SEE TABLE WEIGHT / MASSE APPROX.: CUSTOMER CUSTOMER / PLAN CLIENT		TYCO ELECTRONICS France SAS BP 39, 95301 CERGY-PONTOISE Cedex NAME / TITRE: 025 TH 16 POS TAB HOUSING SIZE / FORMAT: A1 CAGE CODE / DRAWING NO: 00779 SCALE: 4:1 SHEET / FEUILLE: 1 OF 2 REV: 0	
-----------------------------------------------------------------------------------------------------------------------------------------------------------------	--	-------------------------------------------------------------------------------------------------------------------------------------------------------------------------------------------------------------------------------------------------------------------------------------------------------------	--	----------------------------------------------------------------------------------------------------------------------------------------------------------------------------------------------------------------------	--



<small>THIS DRAWING IS UNPUBLISHED. RELEASED FOR PUBLICATION INFORMATION RESERVES BY TYCO ELECTRONICS CORPORATION. ALL RIGHTS RESERVED. TOU DROITS RESERVEZ.</small>		DWN /DESIGNE 29OCT2002 D. BANCE CWRK /PREPARE 04NOV2002 B. DUPONT		TYCO ELECTRONICS France SAS BP 39, 95301 CERGY-PONTOISE Cedex			
DIMENSIONS: mm 		TOLERANCES UNLESS OTHERWISE SPECIFIED: TOLERANCES NON SPECIFIEES: SUIV LE DE DECIMALES: 0 PL/C /DEC: ± 1 PL/C /DEC: ± 2 PL/C /DEC: ±0.2 3 PL/C /DEC: ± 4 PL/C /DEC: ± ANGLES: ±45°		APVD /APPROVE 04NOV2002 JP. PICAUD PRODUCT SPEC: SEE SHEET 1 SPEC. PRODUCT: SEE SHEET 1 APPLICATION SPEC: SEE SHEET 1 SPEC. APPLICATION: SEE SHEET 1		NAME: 025 TH 16 POS TAB HOUSING TYPE: - SIZE: A1 FORMAT: 00779 DRAWING NO: 1379678	
MATERIAL /MATERIE: SEE SHEET 1 FINISH /FINITION:		WEIGHT /POIDS: APPROX. FINISH /FINITION:		CUSTOMER DRAWING /PLAN CLIENT: UN /OUI FOUR REFERENCE: FOUR REFERENCE:		RESTRICTED TO RESERVE A: - SCALE: 4:1 SHEET: 2 OF 2 FEUILLE: 2 DE 2 REV: 0	