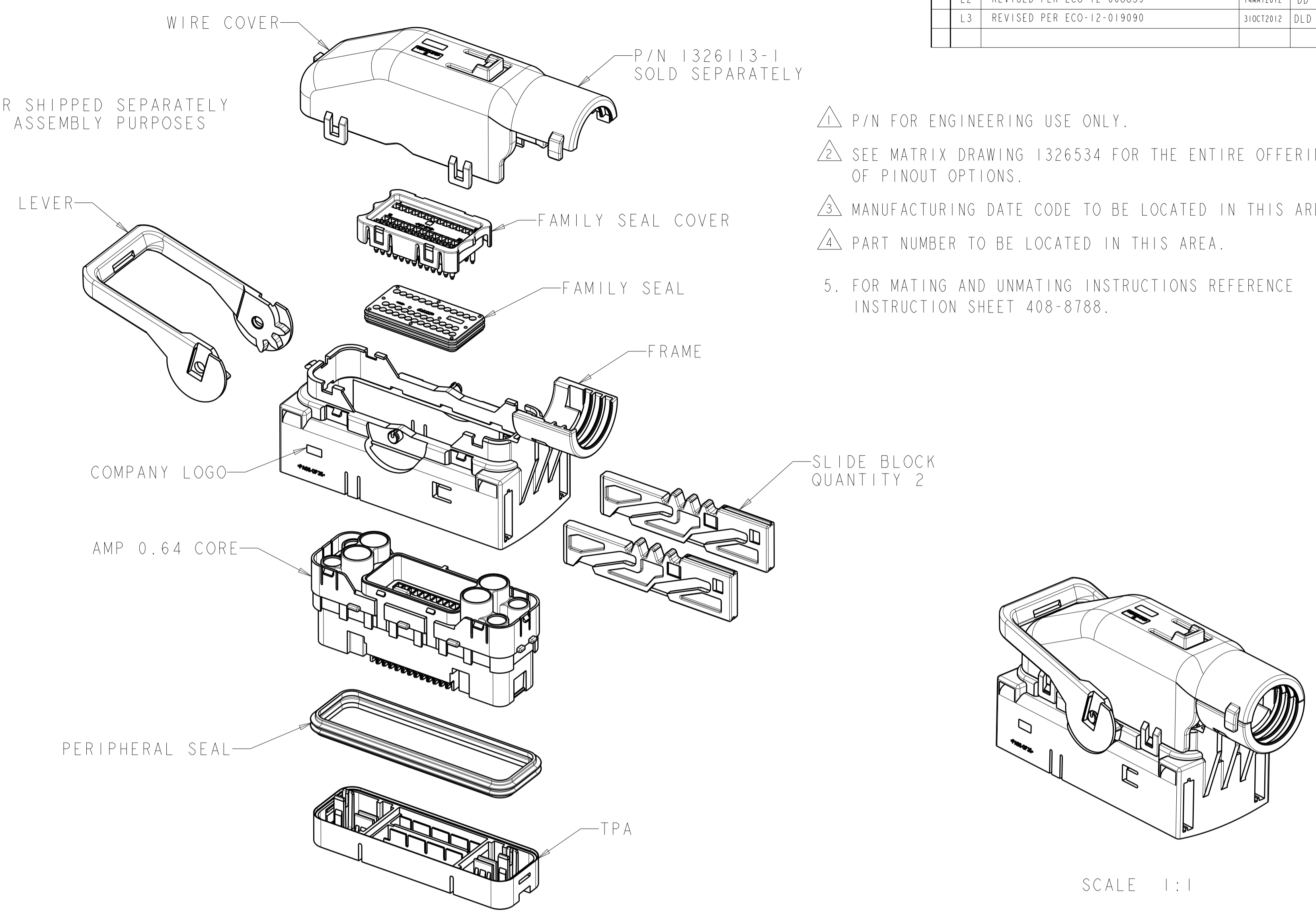
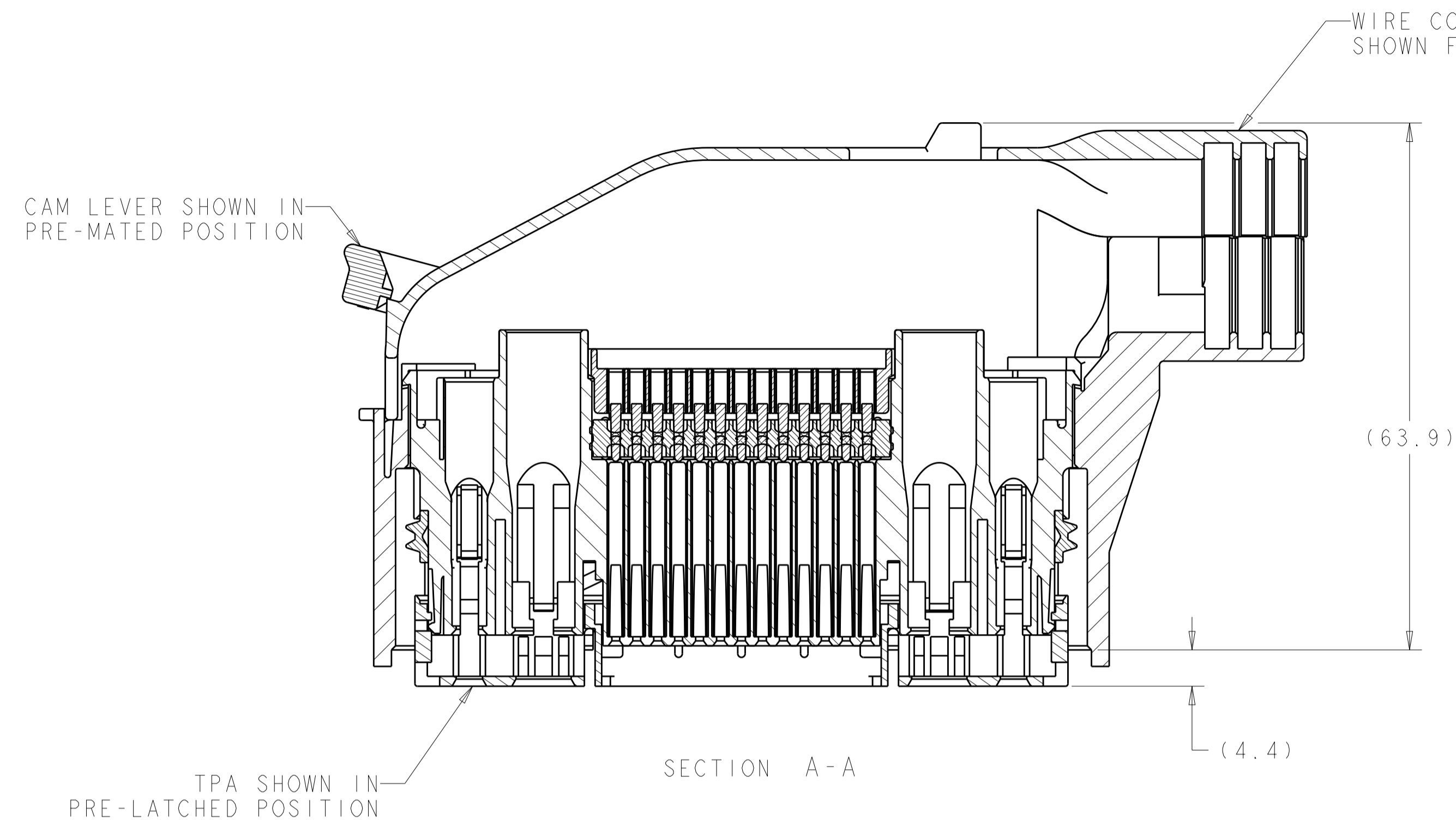
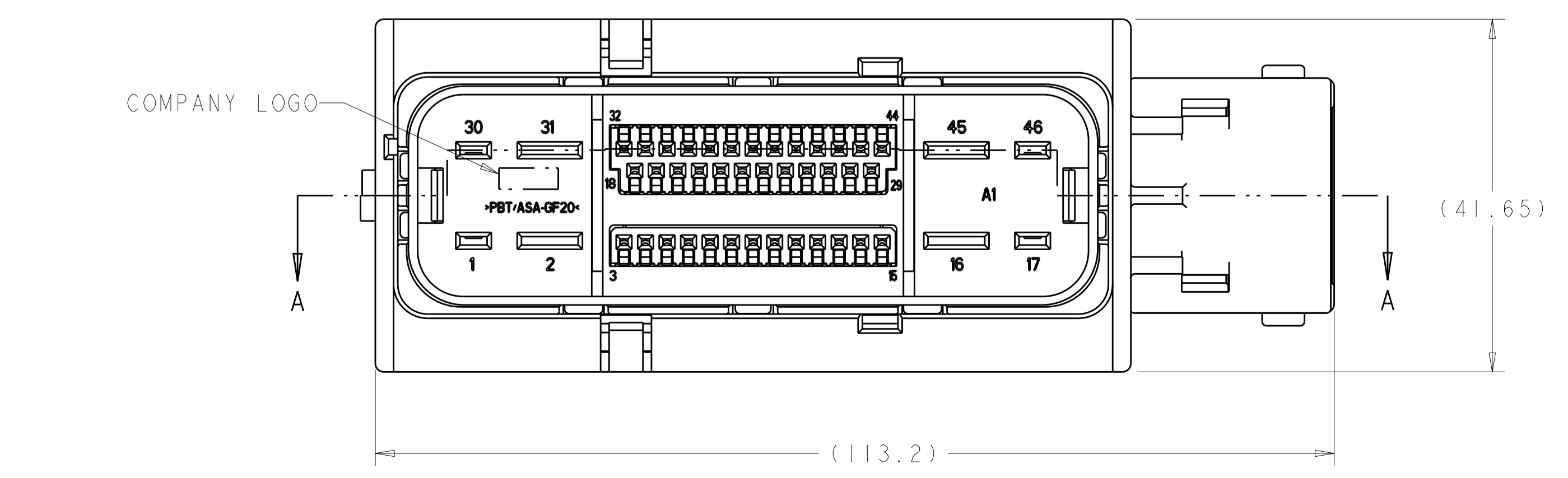
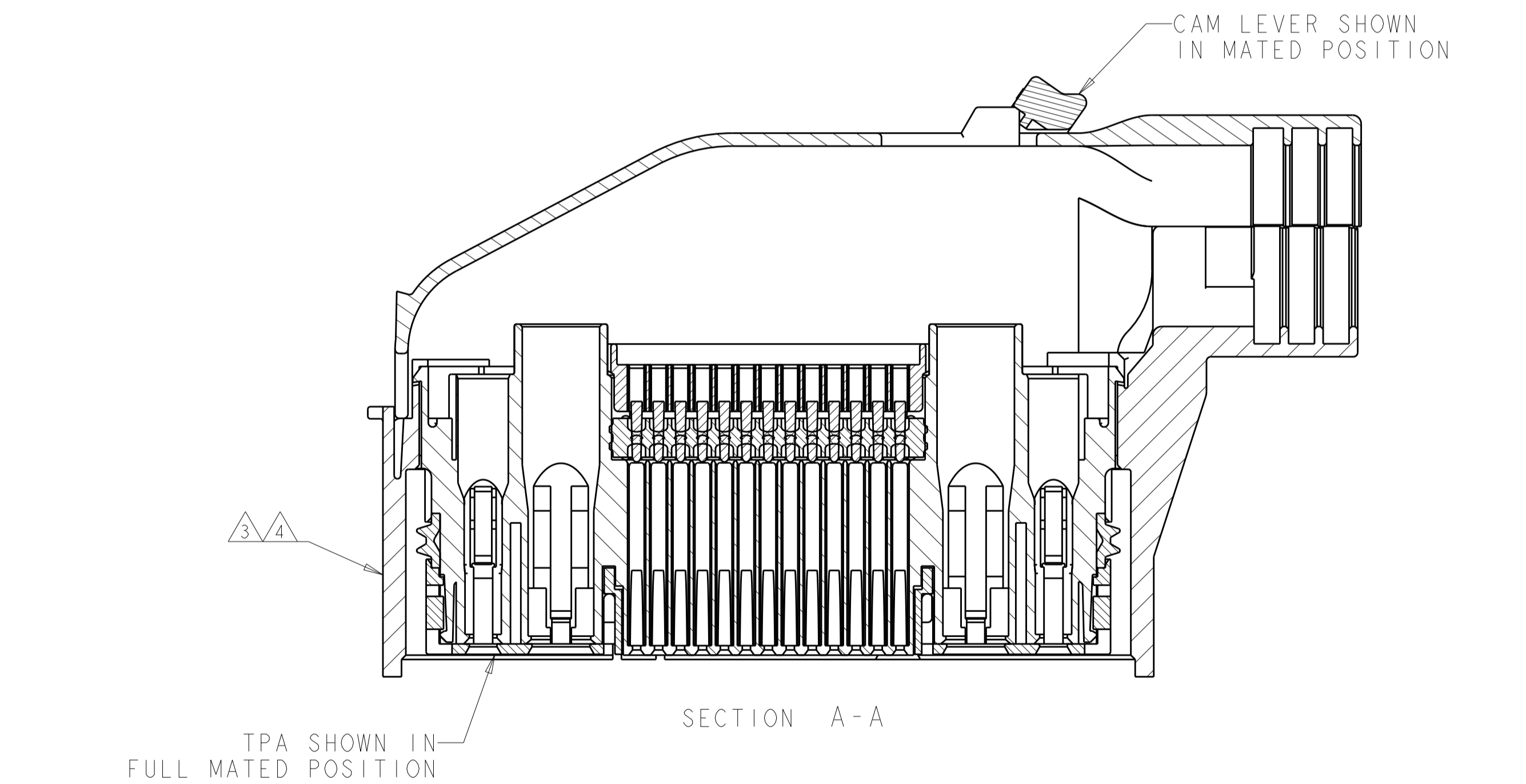


LOC	DIST	REVISIONS			
P	LTN	DESCRIPTION	DATE	DWN	APVD
L1		REVISED PER ECR-10-016163	05AUG2010	HM	SM
L2		REVISED PER ECO-12-008839	14MAY2012	DD	SM
L3		REVISED PER ECO-12-019090	31OCT2012	DLD	SLM



- 1 P/N FOR ENGINEERING USE ONLY.
- 2 SEE MATRIX DRAWING 1326534 FOR THE ENTIRE OFFERING OF PINOUT OPTIONS.
- 3 MANUFACTURING DATE CODE TO BE LOCATED IN THIS AREA.
- 4 PART NUMBER TO BE LOCATED IN THIS AREA.
- 5. FOR MATING AND UNMATING INSTRUCTIONS REFERENCE INSTRUCTION SHEET 408-8788.



2.8mm ALWAYS OPEN 6.3mm ALWAYS OPEN		6.3mm ALWAYS OPEN 2.8mm ALWAYS OPEN		2.8mm ALWAYS OPEN 6.3mm ALWAYS OPEN		6.3mm ALWAYS OPEN 2.8mm ALWAYS OPEN																																										
0	0	3	4	5	6			9	10			14	15	0	0	19	20	22	24	27	28	0	0	32	34	36	37	38	39	41	42	43	0	0	1-1326110-1													
0	0	3	4	5	6			9	10			14	15	0	0	19	20		24	27	28	0	0	32	34	36	37	38	39	41	42	43	0	0	1-1326110-0													
0	0		4	5	7	8	9	10	11			14	15	0	0	19	20	21	22	23	24	25	28	29	0	0	33	34	35	36	37	38	39	40			0	0	1326110-4									
0	0		4	5	7							14	0	0	19	20	21					28	0	0	33	34	35	36									0	0	1326110-3									
0	0	3	4	5	6	7	8	9	10	11	12	13	14	15	0	0	18	19	20	21	22	23	24	25	26	27	28	29	0	0	32	33	34	35	36	37	38	39	40	41	42	43	44	0	0	1326110-2		
0	0														0	0																														0	0	1326110-1
1	2	3	4	5	6	7	8	9	10	11	12	13	14	15	16	17	18	19	20	21	22	23	24	25	26	27	28	29	30	31	32	33	34	35	36	37	38	39	40	41	42	43	44	45	46			PART NUMBER

BLANK CIRCUITS = OPEN CAVITIES: CIRCUITS NUMBERED "0" = ALWAYS OPEN CAVITIES. NUMBERED CIRCUITS = BLOCK CAVITIES

THIS DRAWING IS A CONTROLLED DOCUMENT.

DIMENSIONS: MM

TOLERANCES UNLESS OTHERWISE SPECIFIED:

MATERIAL: . FINISH: .

APPROVALS:

DATE: 03JUN2002

NAME: PLUG ASSEMBLY, 46 POSITION, WITH CHANGEABLE CORE, EBC-440

SIZE: A1

CAGE CODE: 100779

DRAWING NO: 1326110

RESTRICTED TO: .

CUSTOMER DRAWING

SCALE: 2:1

SHEET: 1 OF 1

REV: 1.3

STE TE Connectivity