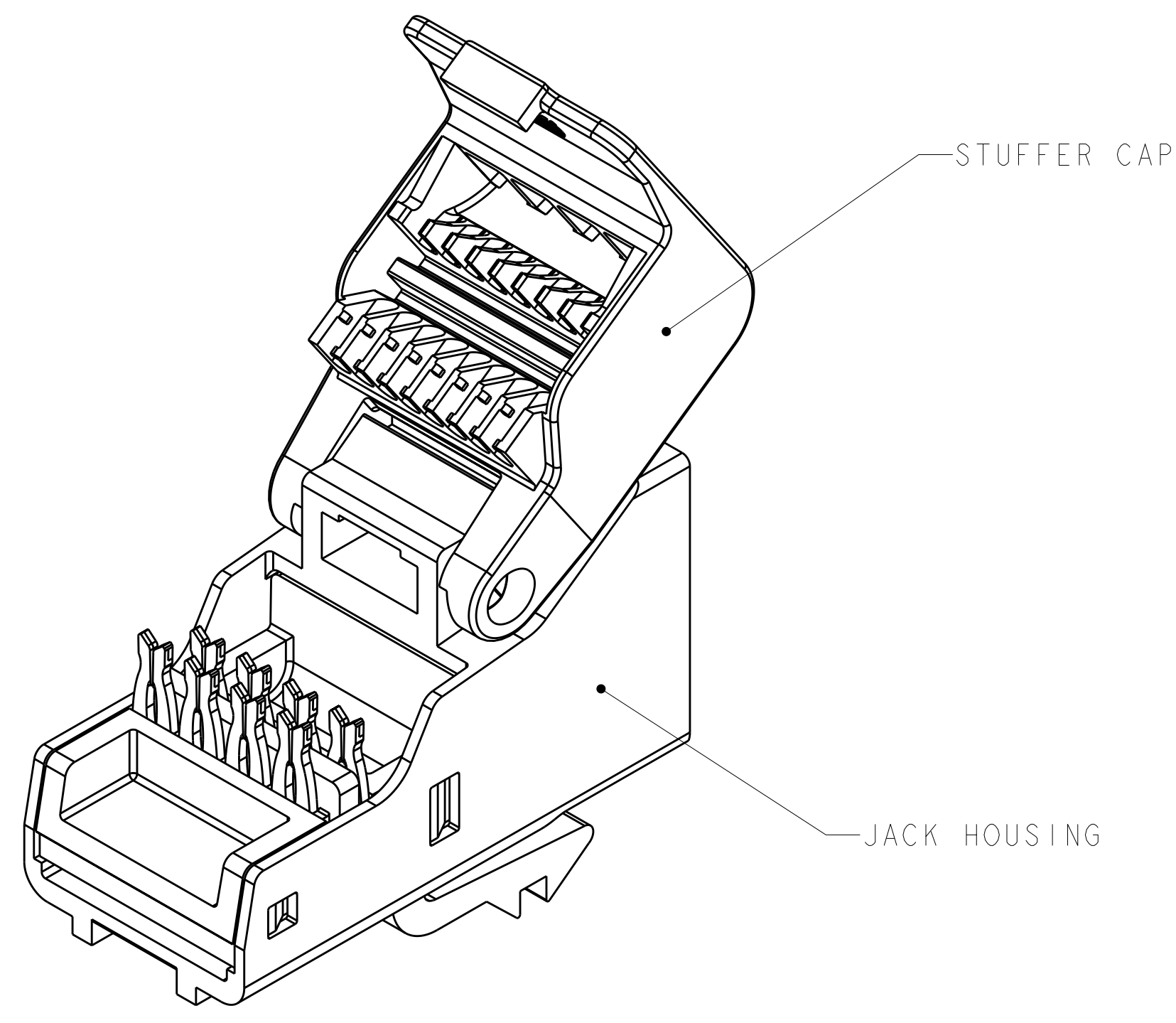
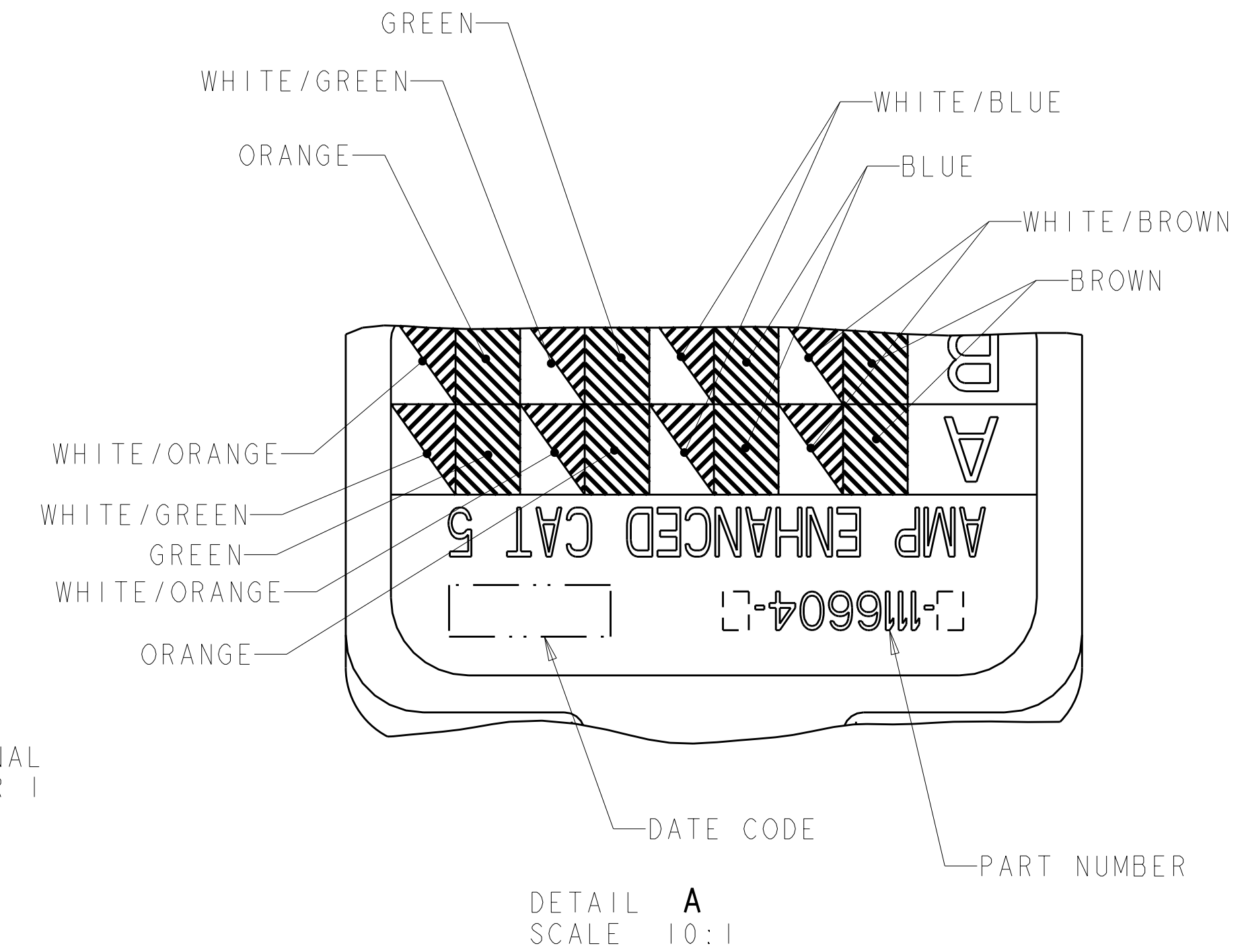
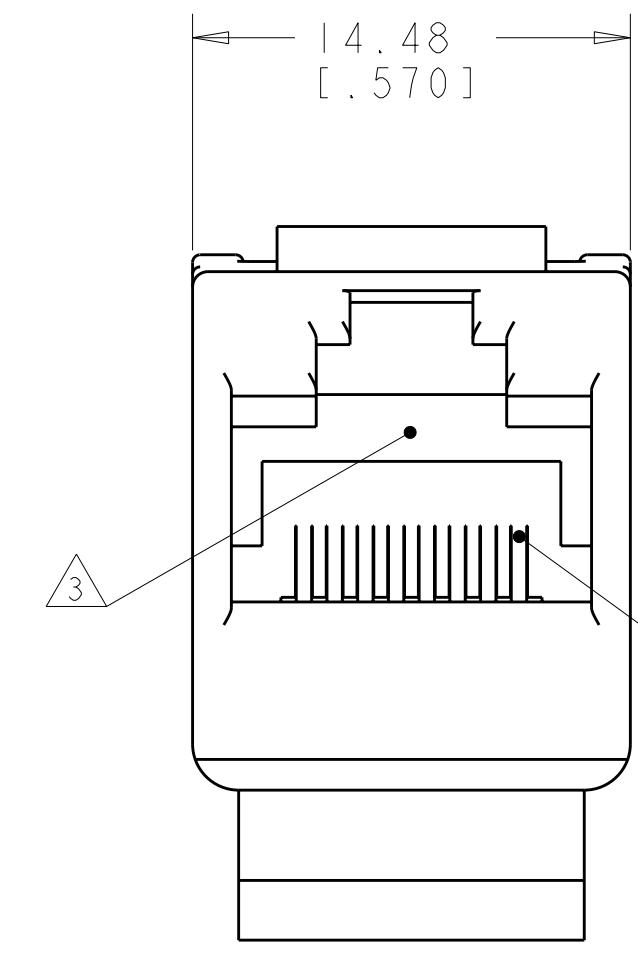
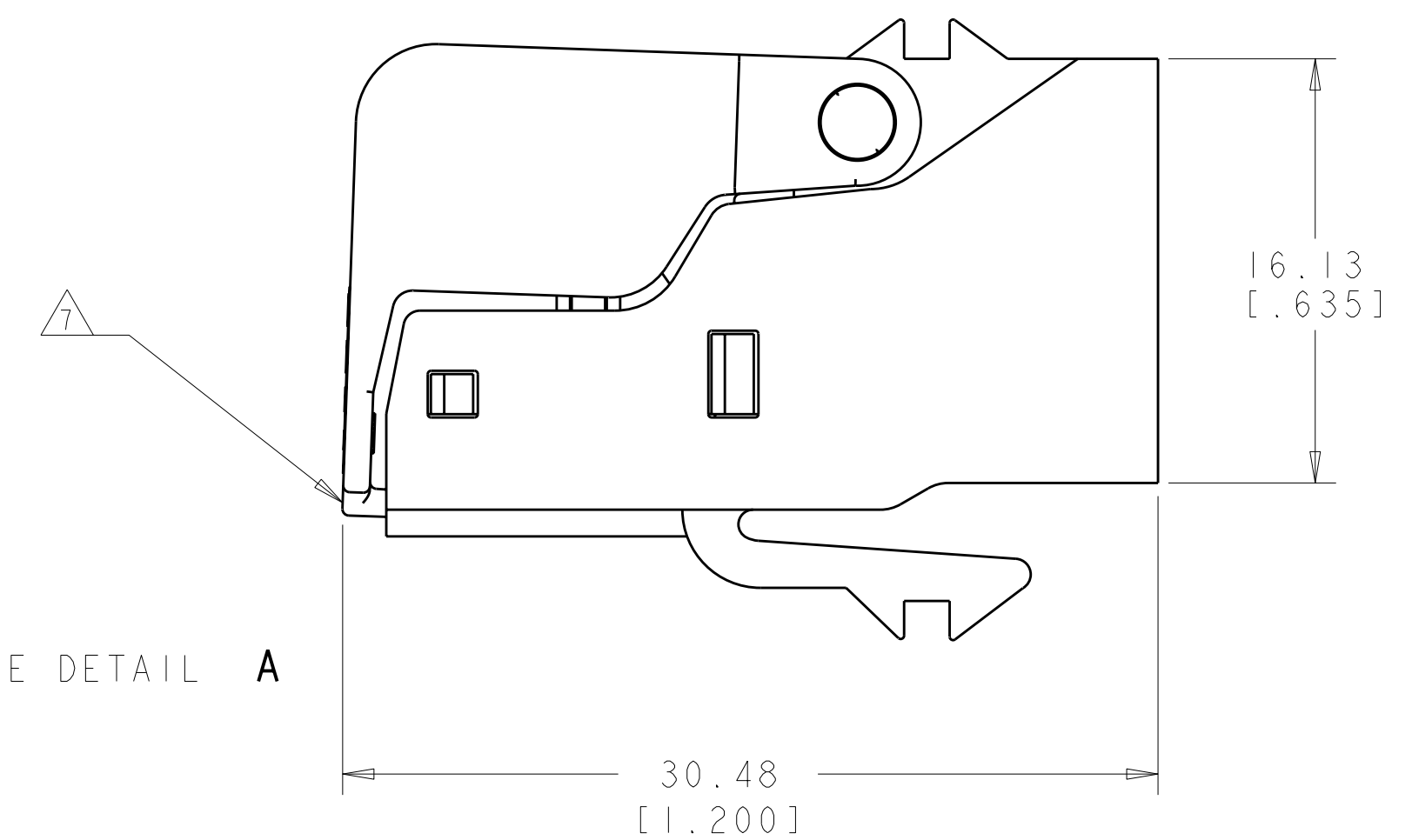
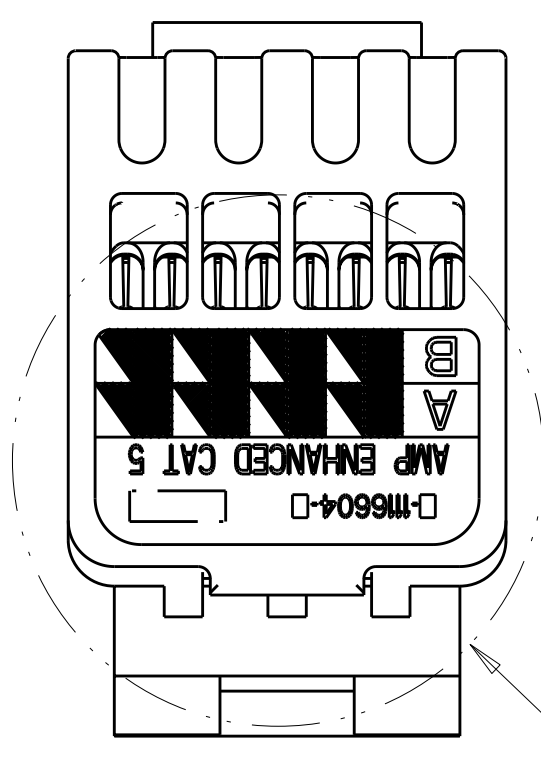


LOC	DIST	REV	DATE	BY	CHKD	APVD
HM	00	F1	14MAR2011	RK	HMR	



OPEN POSITION



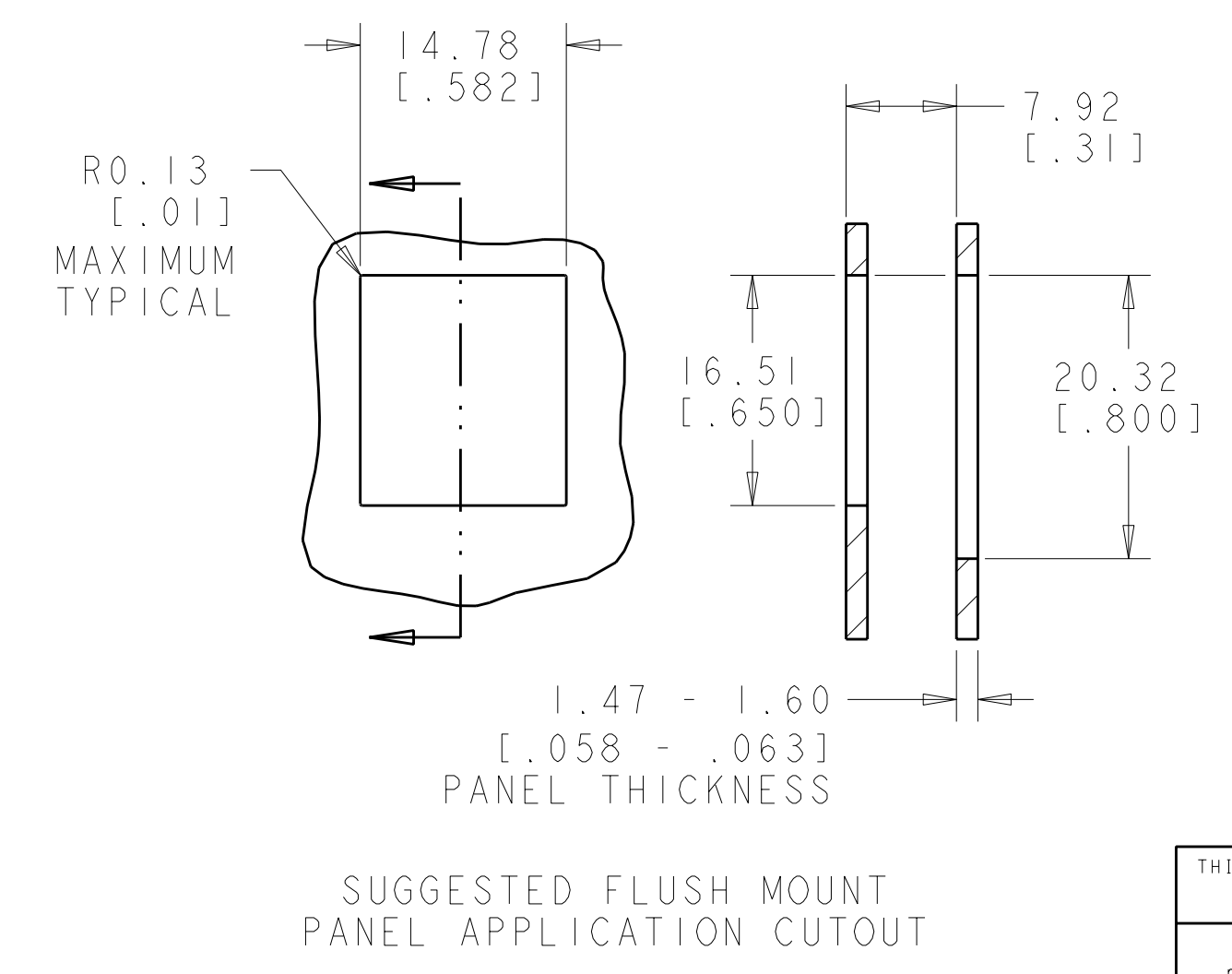
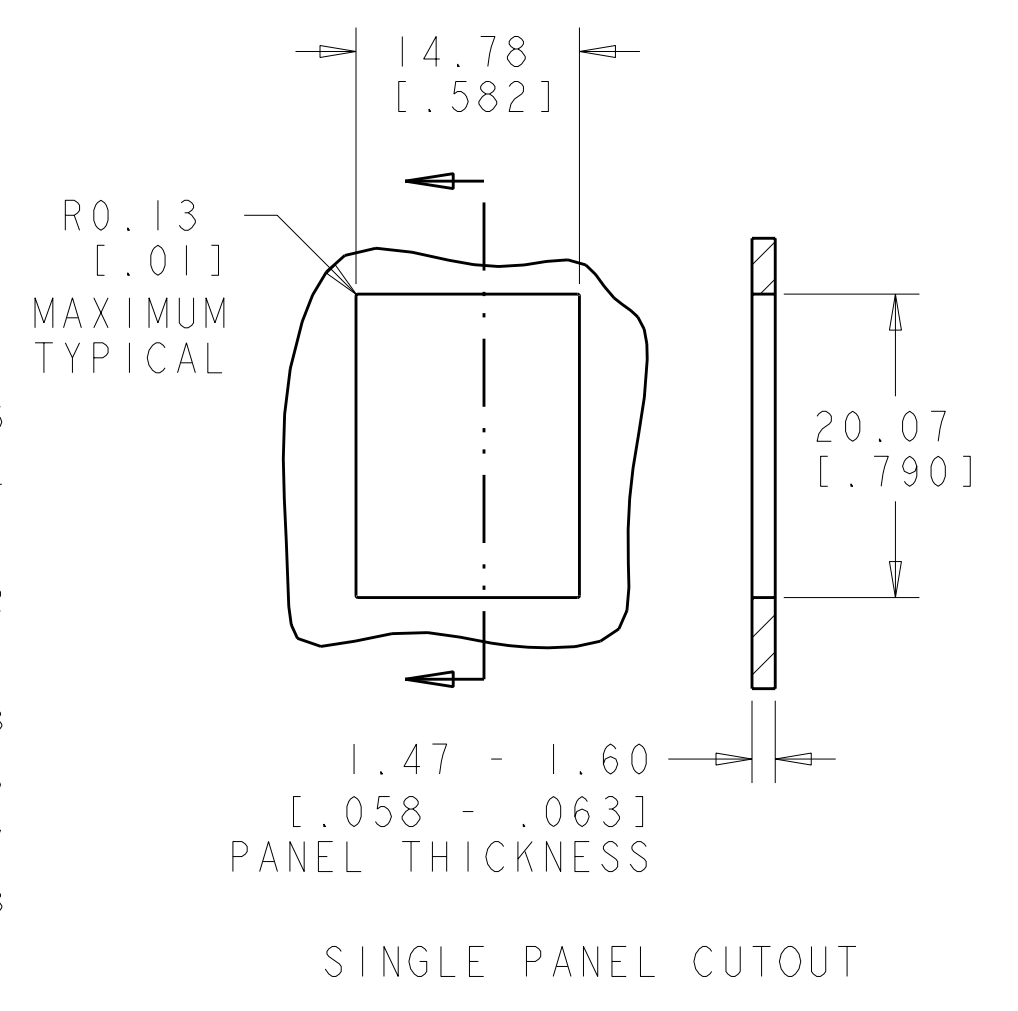
- 1 MATERIAL: JACK HOUSING - POLYPHENYLENE OXIDE, 94V-0 RATED. TERMINAL BLOCK - POLYPHENYLENE OXIDE, 94V-0 RATED. STUFFER CAP - POLYCARBONATE, CLEAR, 94V-0 RATED. JACK CONTACTS - PHOSPHOROUS BRONZE, PLATED WITH 1.27um [.000050] MINIMUM THICK GOLD IN LOCALIZED AREA AND 3.81um [.000150] MINIMUM THICK MATTE TIN IN SOLDER AREA OVER 1.27um [.000050] MINIMUM THICK NICKEL UNDERPLATE.
- 2. TOOLLESS WILL TERMINATE 22-24 AWG SOLID CONDUCTORS AND 24 AWG STRANDED CONDUCTORS, 1.14 [.045] MAXIMUM INSULATION DIAMETER.
- 3 CAVITY CONFORMS TO FCC RULES AND REGULATIONS) PART 68 SUBPART F REQUIREMENTS.
- 4. MOUNTING PANEL THICKNESS 1.473 - 1.600 [.058 - .063].
- 5 THESE TWO SUGGESTED CUTOUT OPENINGS ARE USED IN TANDEM WITH DUAL FRONT AND BACK CUTOUTS.
- 6 ONE MODULAR JACK ASSEMBLY PER POLYBAG.
- 7 ASSEMBLY SHIPPED WITH STUFFER CAP NOT LATCHED AT REAR OF HOUSING ASSEMBLY AS SHOWN.

COLOR CODE	IDC TERMINAL	MODULAR JACK	
WHITE/BLUE			5
BLUE			4
WHITE/ORANGE			3
ORANGE			6
WHITE/GREEN			1
GREEN			2
WHITE/BROWN			7
BROWN			8

ELECTRICAL SCHEMATIC T568A

COLOR CODE	IDC TERMINAL	MODULAR JACK	
WHITE/BLUE			5
BLUE			4
WHITE/ORANGE			1
ORANGE			2
WHITE/GREEN			3
GREEN			6
WHITE/BROWN			7
BROWN			8

ELECTRICAL SCHEMATIC T568B



PACKAGE	HOUSING COLOR	PART NUMBER
	ELECTRIC IVORY	1-1116604-1
	VIOLET	1-1116604-0
	GREEN	1116604-9
	YELLOW	1116604-8
	RED	1116604-7
	BLUE	1116604-6
	ORANGE	1116604-5
	NEMA GRAY	1116604-4
	WHITE	1116604-3
	BLACK	1116604-2
	LIGHT ALMOND	1116604-1

THIS DRAWING IS A CONTROLLED DOCUMENT.

OWN: P. PEPE 05AUG98  
 CHK: P. PEPE 05AUG98  
 APVD: P. PEPE 05AUG98

DIMENSIONS: mm [INCHES]  
 TOLERANCES UNLESS OTHERWISE SPECIFIED:  
 9 PLC ±  
 1 PLC ±.25 [.01]  
 5 PLC ±.13 [.005]  
 4 PLC ±  
 ANGLES ±

PRODUCT SPEC: 108-1916  
 APPLICATION SPEC: 408-4542

WEIGHT: -  
 FINISH: -

CUSTOMER DRAWING

NAME: ASSEMBLY, TOOLLESS, CAT 5e, UNIVERSAL, RJ45

SIZE: A100779  
 CAGE CODE: C=1116604  
 DRAWING NO: 1116604-1

RESTRICTED TO: -  
 SCALE: 4:1 SHEET 1 OF 1 REV: F1