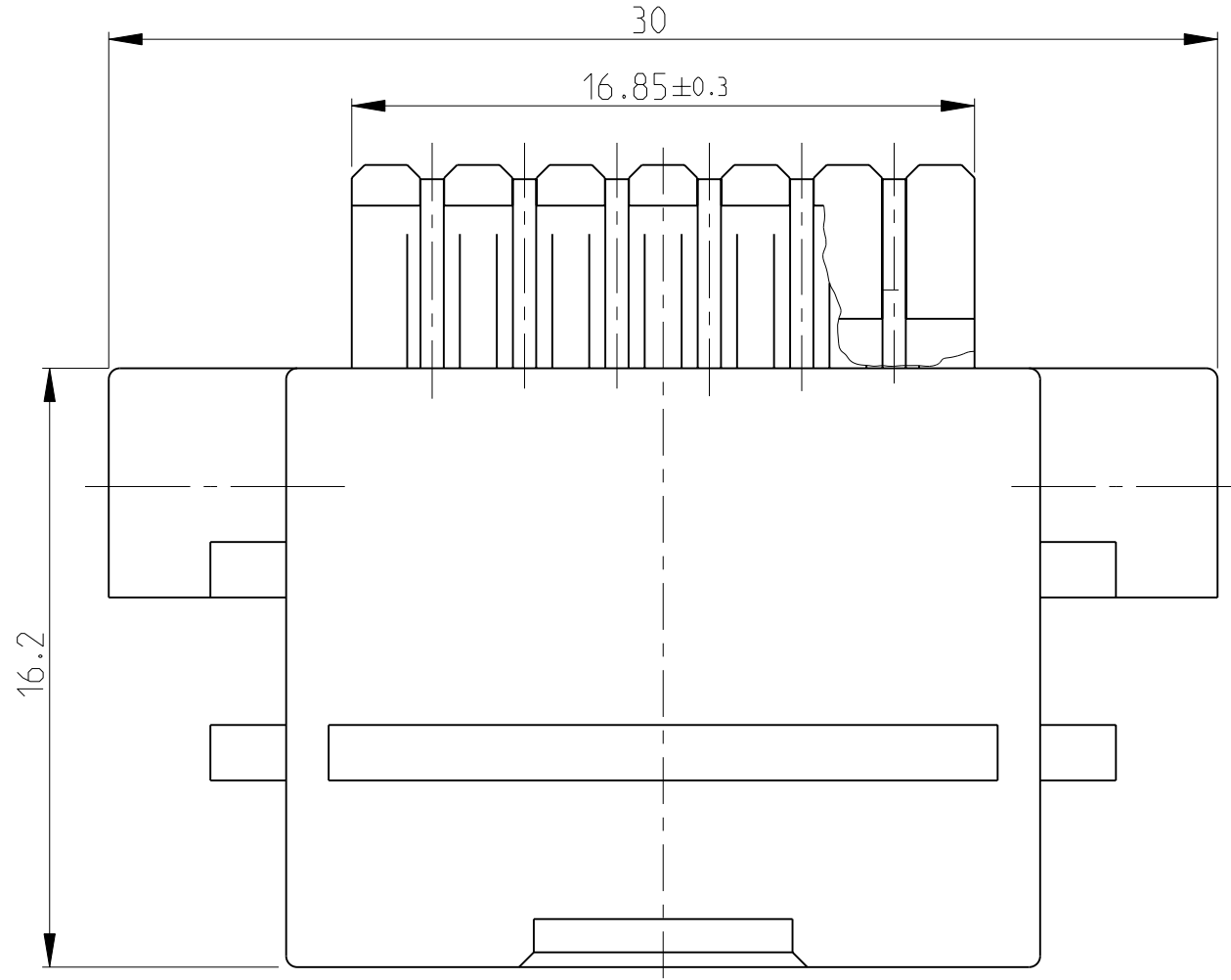
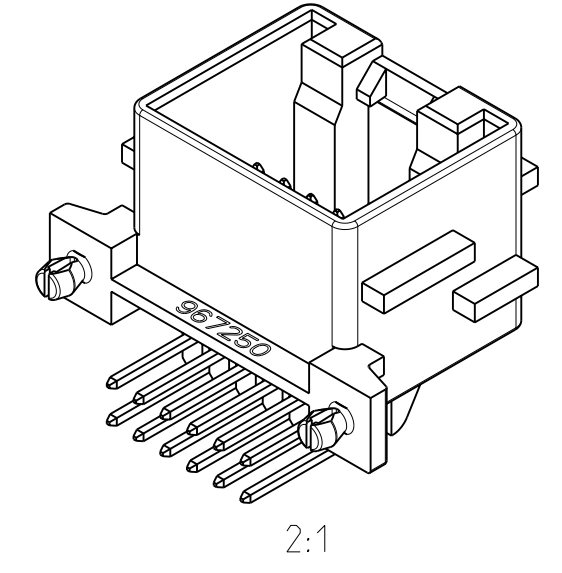
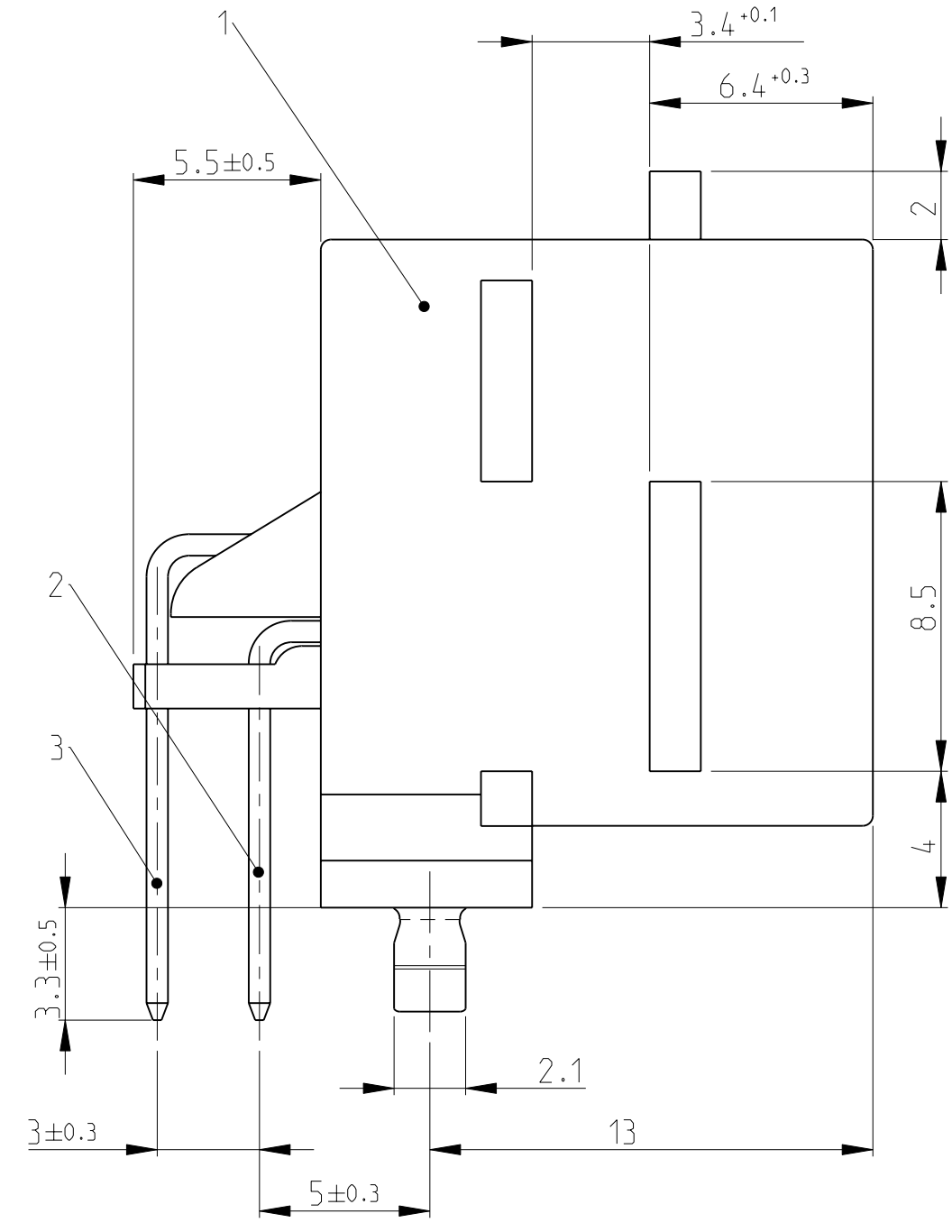
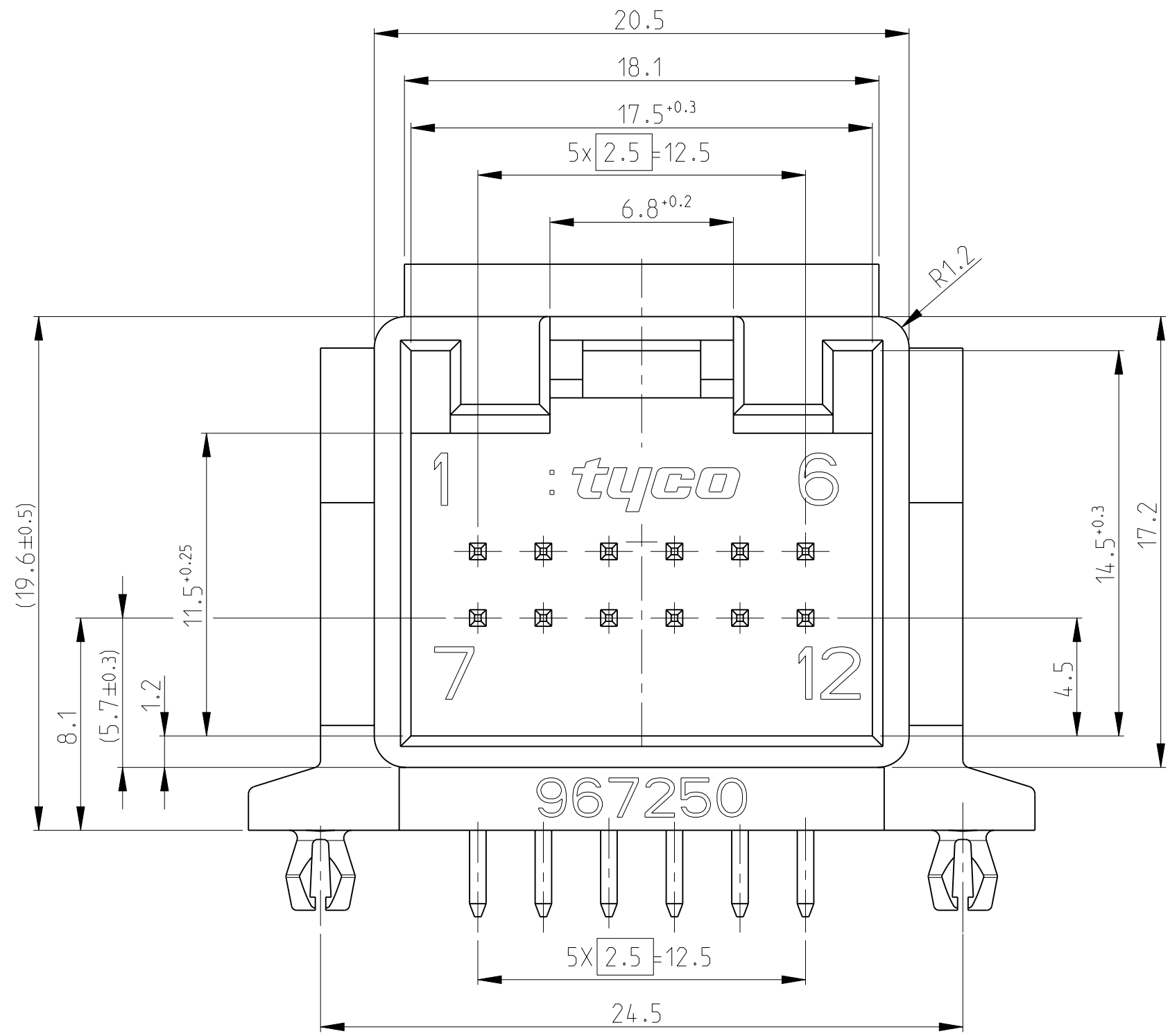


THIS DRAWING IS UNPUBLISHED  
 RELEASED FOR PUBLICATION  
 © COPYRIGHT copyright\_date Tyco Electronics AMP GmbH ALL RIGHTS RESERVED.

LOC	DIST	REVISIONS			
P	LTR	DESCRIPTION	DATE	DWN	APVD
D1		SEE PCN ECR-09-024155	06NOV2009	GKT	BF
D2		SEE PCN ECR-11-012806	18JUL2011	RM	BF



- Bemerkungen
- 1 Kontaktdurchdrückkraft >40N  
Contact push-through force >40N
  - 2 Verpackungs-Spezifikation: V967250  
Packaging specification: V967250
  - 3 Verpackt in Tray / PS Regenerat  
Packed in Tray / PS Regrind

TE PART NO	TE PART NO	REV.	POS.	MATERIAL	SURFACE COLOR	DESCRIPTION	ITEM NO
1-967250-1	967250-1	D	6	CuSn6	verzinkt	MODU II Stift □ 0.63	3
			6	CuSn6	verzinkt	MODU II Stift □ 0.63	2
			1	PBT GF 15	schwarz	2x6 pol. Gehäuse	1

THIS DRAWING IS A CONTROLLED DOCUMENT.

DWN	M.Geberzahn	16.11.93
CHK	M.Schwäger	18.11.93
APVD		
PRODUCT SPEC		
APPLICATION SPEC		
WEIGHT		

TE Connectivity

NAME: 2X6 POS. MODU II PIN HEADER  
2x6 pol. MODU II Stiftwanne

SIZE	CAGE CODE	DRAWING NO	RESTRICTED TO
A2	00779	967250	

CUSTOMER DRAWING SCALE 5:1 SHEET 1 OF 1 REV D2