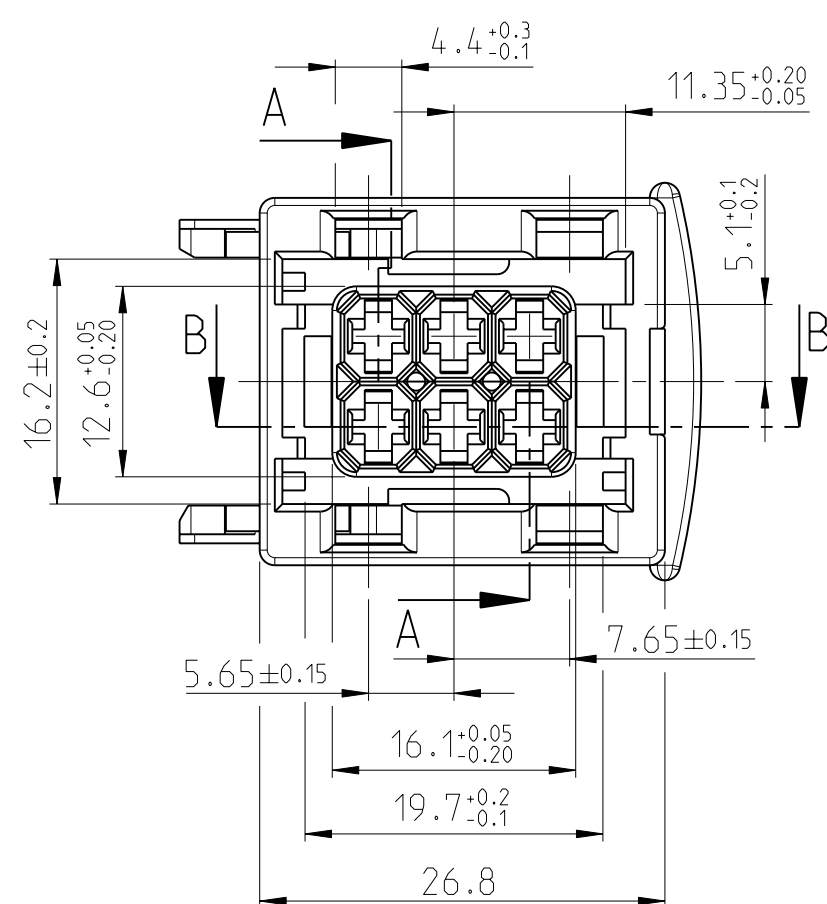
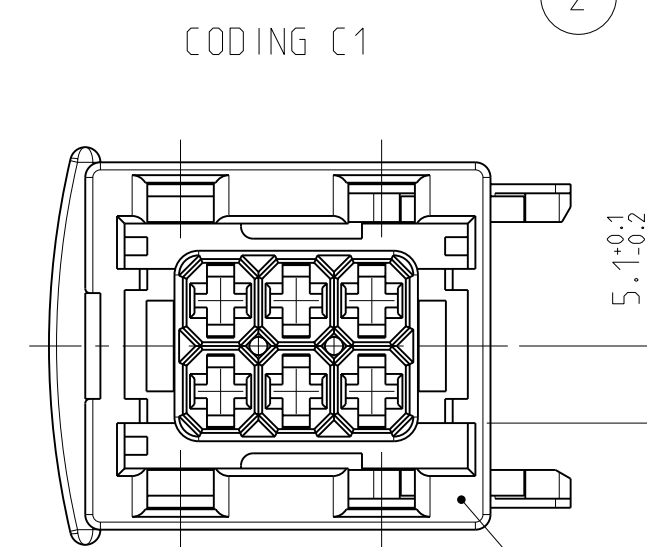
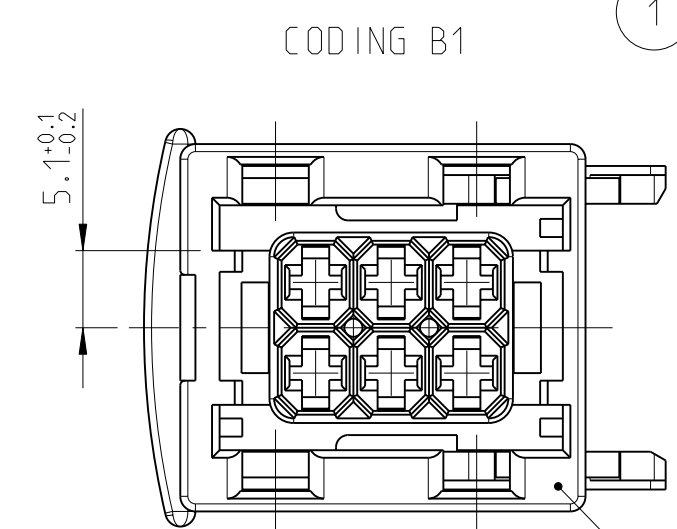
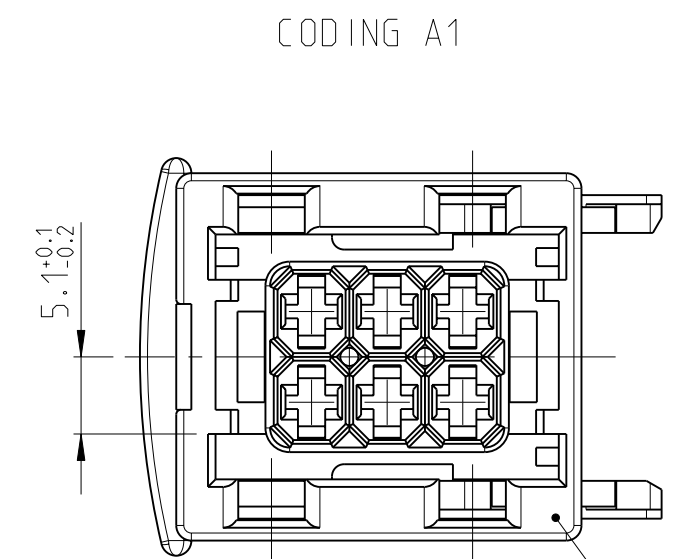
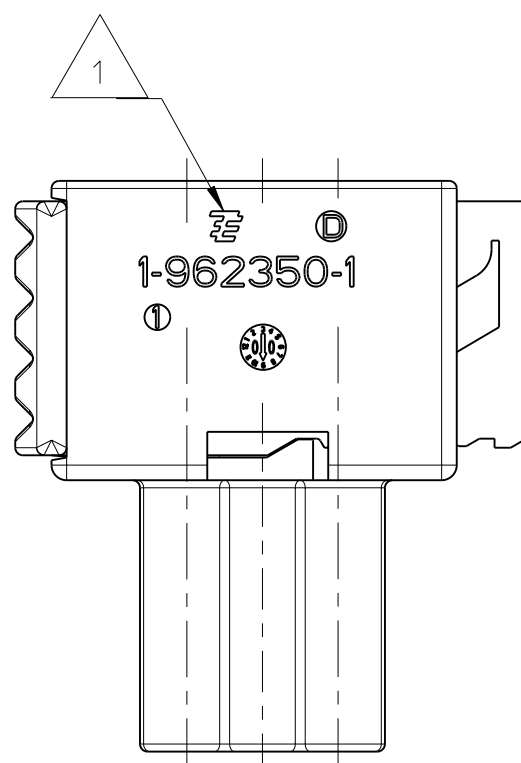
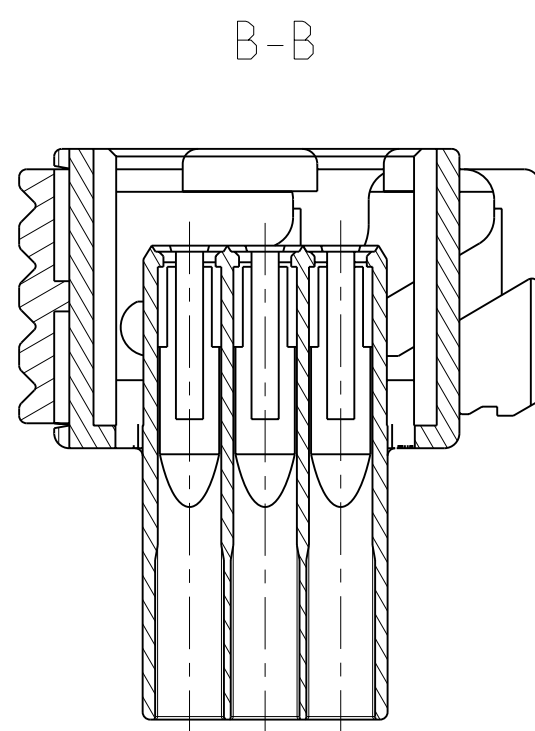
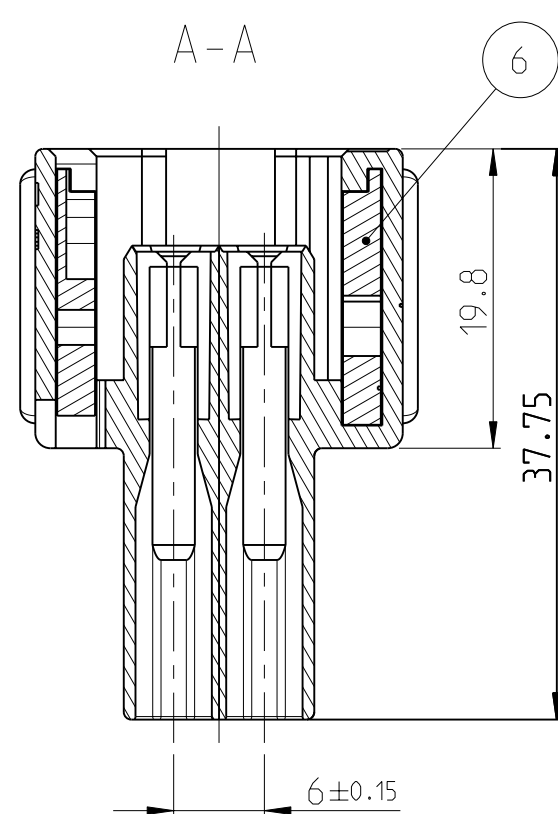
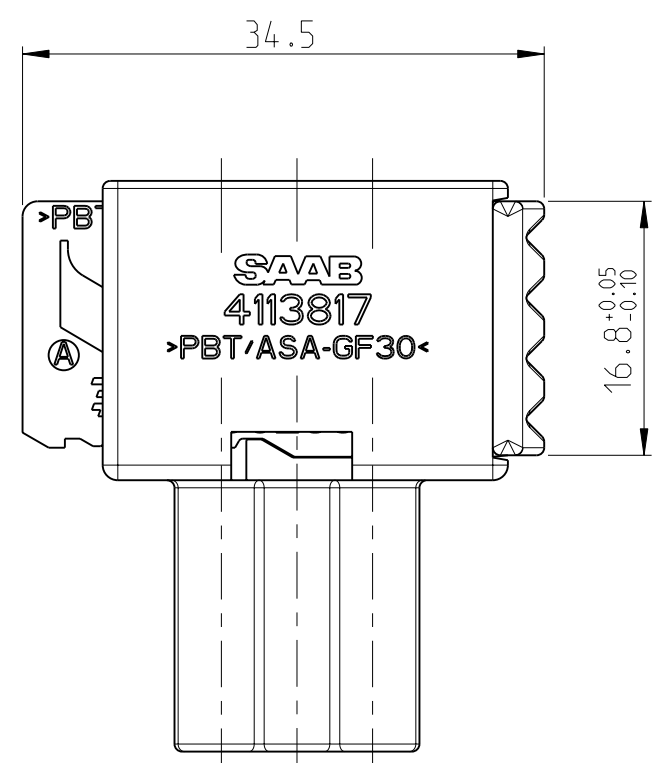
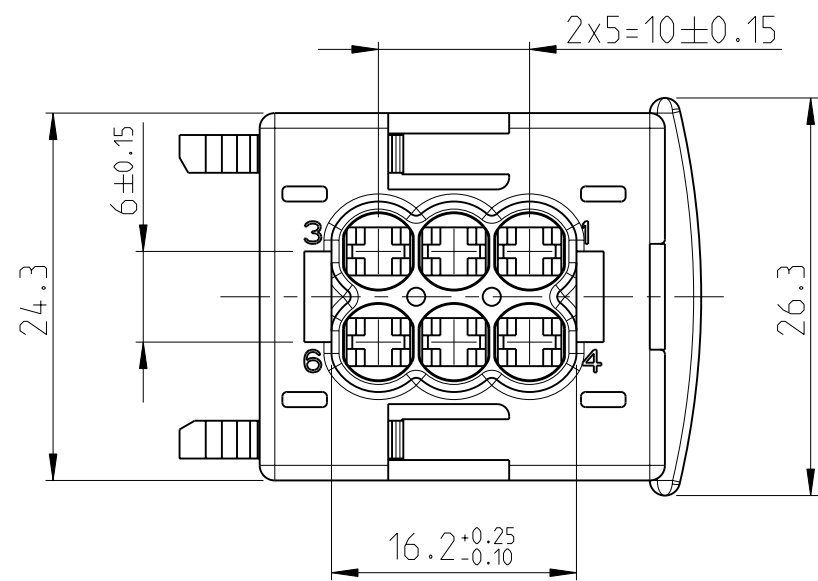


THIS DRAWING IS UNPUBLISHED. RELEASED FOR PUBLICATION 2010
 © COPYRIGHT 2010 BY TYCO ELECTRONICS CORPORATION. ALL INTERNATIONAL RIGHTS RESERVED.

LOC	DIST	REVISIONS					
GT	-	P	LTR	DESCRIPTION	DATE	DWN	APVD
		D1		SEE ECR-10-024362	08DEC2010	BM	TK



TE PART NO.	REV	PCS.	SAAB PART NO.	MATERIAL	COLOUR	DESCRIPTION	ITEM
5-963212-1	D	1		PBT-GF30	RED	SLIDE	6
		1		PBT/ASA-GF30	WHITE	6 POS. JPT HSG. COD N	5
4-963212-1	D	1		PBT-GF30	RED	SLIDE	6
		1		PBT/ASA-GF30	BROWN	6 POS. JPT HSG. COD D1	4
3-963212-1	D	1	4113833	PBT-GF30	RED	SLIDE	6
		1		PBT/ASA-GF30	BLUE	6 POS. JPT HSG. COD C1	3
2-963212-1	D	1	4113825	PBT-GF30	RED	SLIDE	6
		1		PBT/ASA-GF30	GREY	6 POS. JPT HSG. COD B1	2
1-963212-1	D	1	4113817	PBT-GF30	RED	SLIDE	6
		1		PBT/ASA-GF30	BLACK	6 POS. JPT HSG. COD A1	1

1- -1 AS SHOWN

NOTES
Bemerkung

NEW TE LOGO VALID ONLY FOR NEW TOOLS

DIMENSIONS: mm		TOLERANCES UNLESS OTHERWISE SPECIFIED:	
0 PLC	±0.3mm	1 PLC	±0.3mm
2 PLC	±0.3mm	3 PLC	±
4 PLC	±	ANGLES	±°
FINISH		-	

DWN	M. Benes	08DEC2010	Tyco Electronics Czech s.r.o. CZ - 664 34 Kurim
CHK	S. Ryska	08DEC2010	
APVD	I. Konecny	09DEC2010	
PRODUCT SPEC	108-18102		
APPLICATION SPEC	114-18175		
WEIGHT	-		
CUSTOMER DRAWING	SCALE 2:1	SHEET 1 OF 1	REV 01