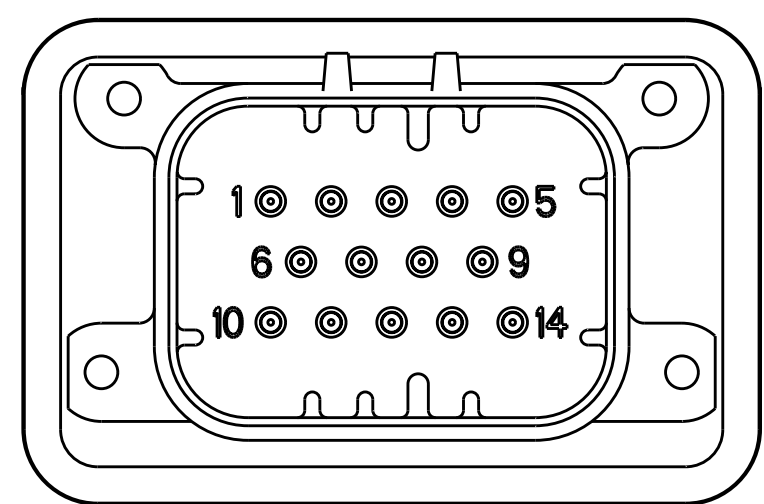
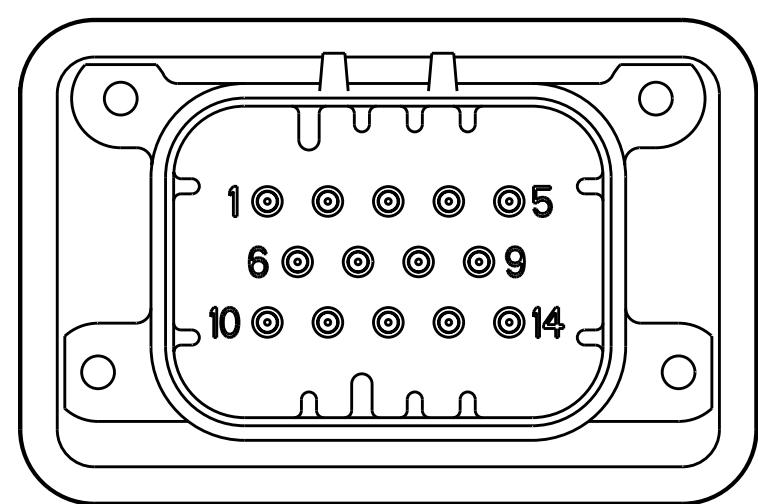


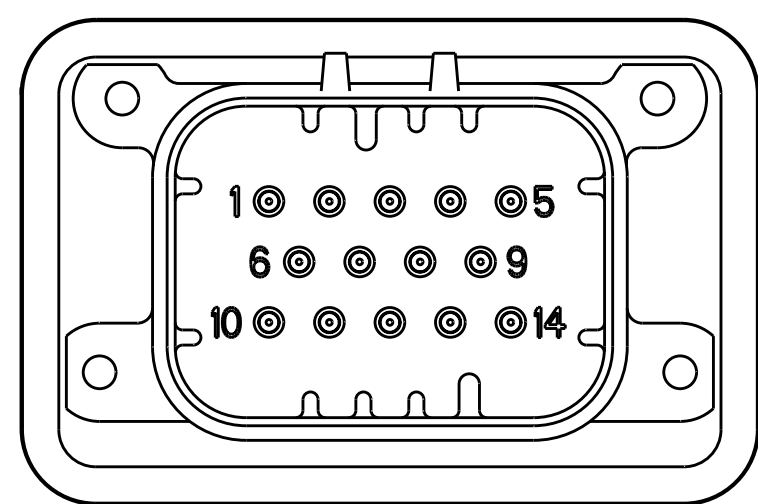
LOC	DIST	REV	DATE	BY	CHK	APPV
GE	00	B3	11MAR2011	RK	HMR	
		B4	29MAY2012	DD	DS	



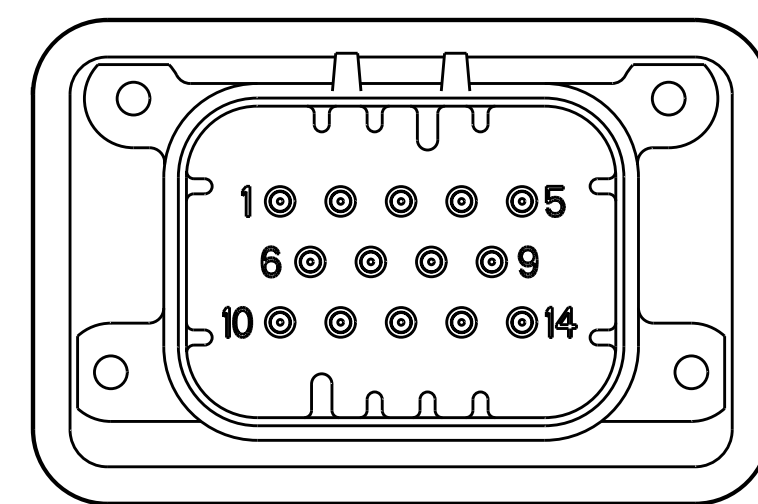
776267-1 & 1-776267-1  
KEY LOCATION  
SCALE 2:1



776267-2 & 1-776267-2  
KEY LOCATION  
SCALE 2:1

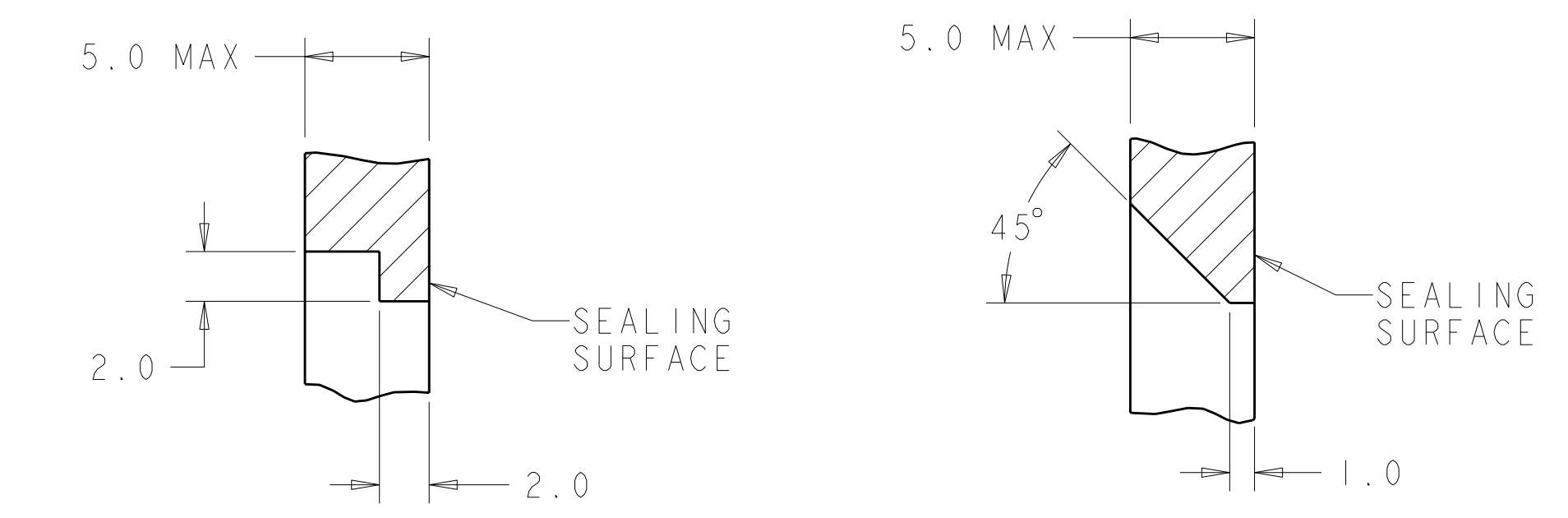
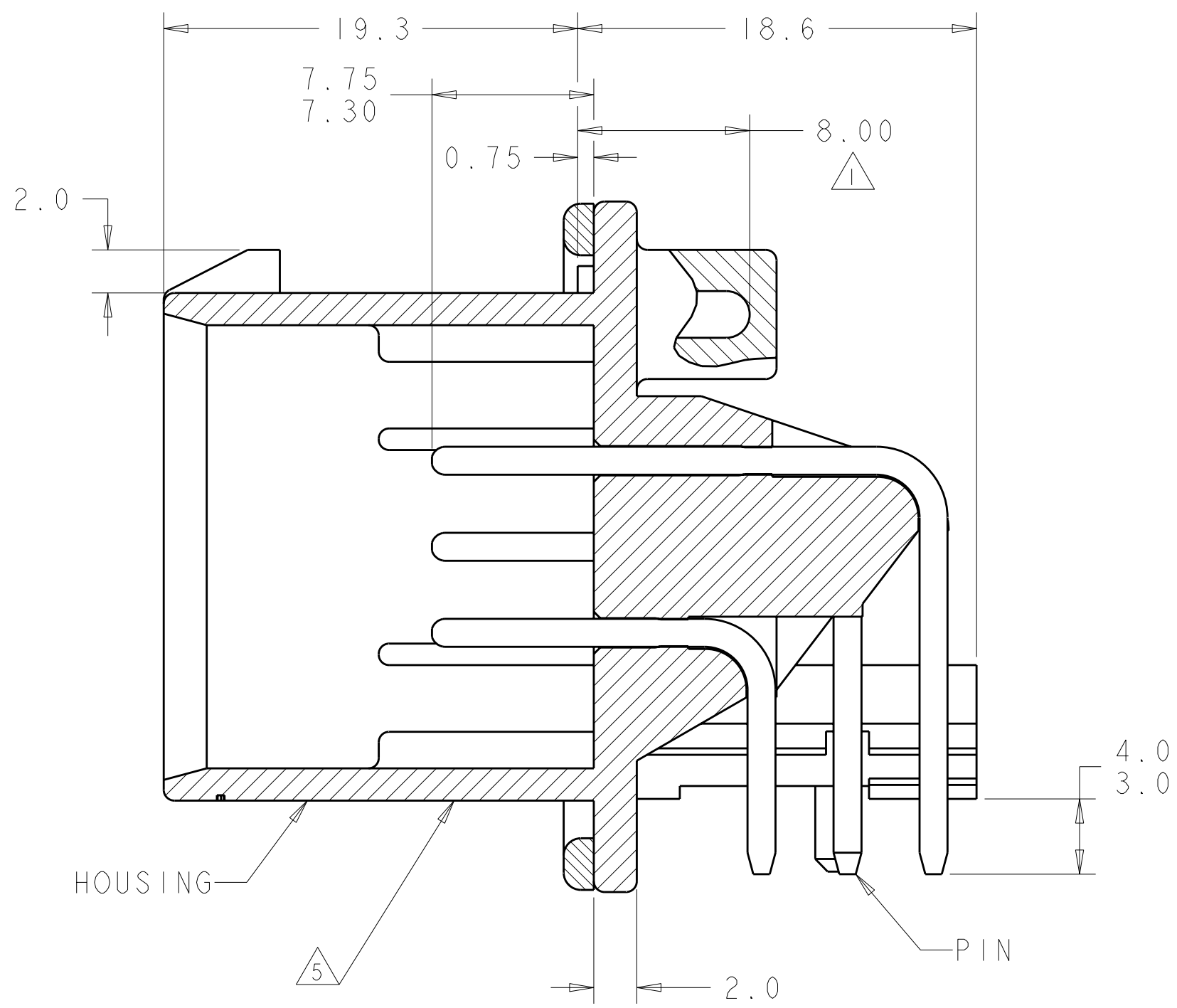
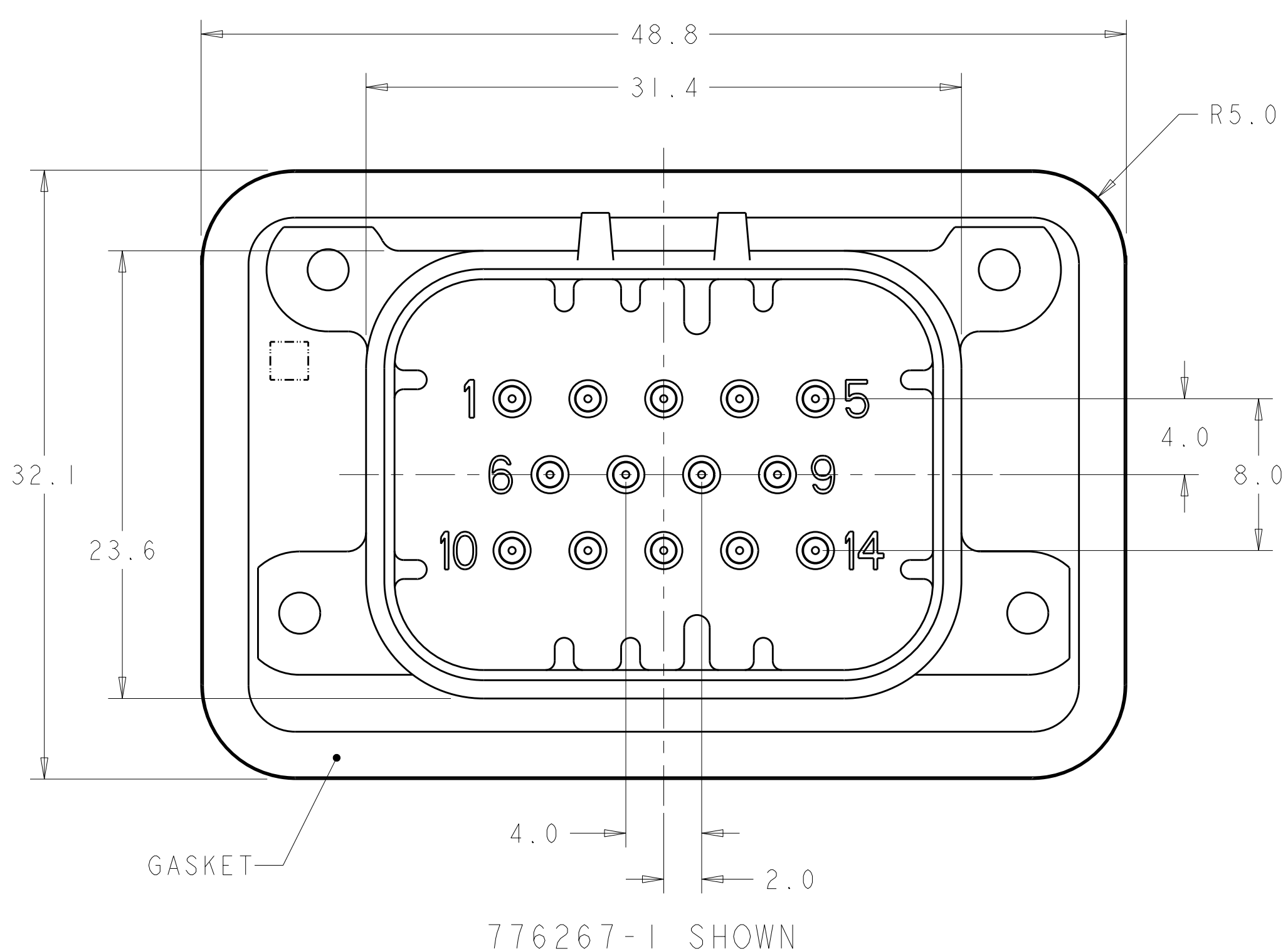


776267-4 & 1-776267-4  
KEY LOCATION  
SCALE 2:1

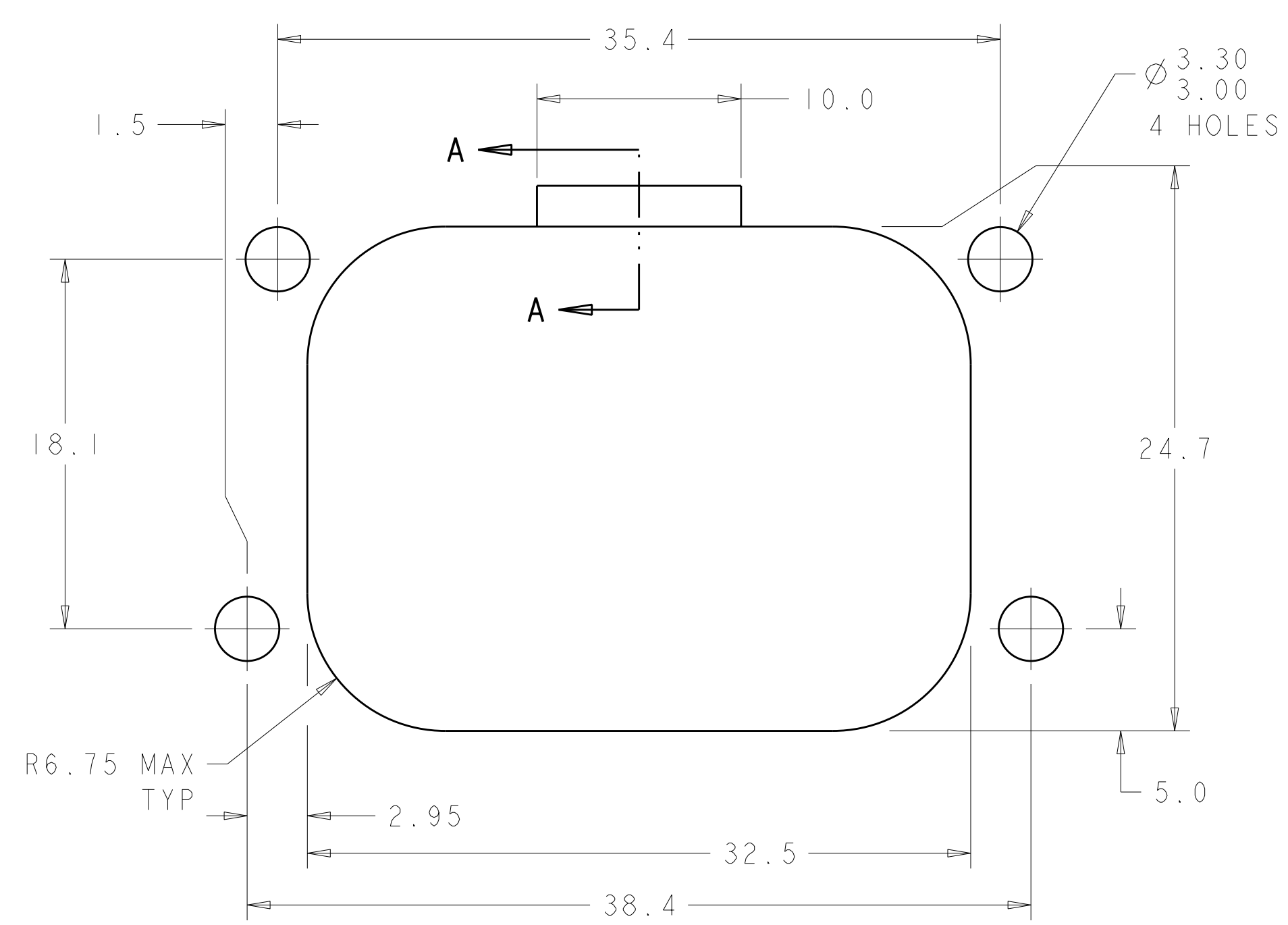


776267-5 & 1-776267-5  
KEY LOCATION  
SCALE 2:1

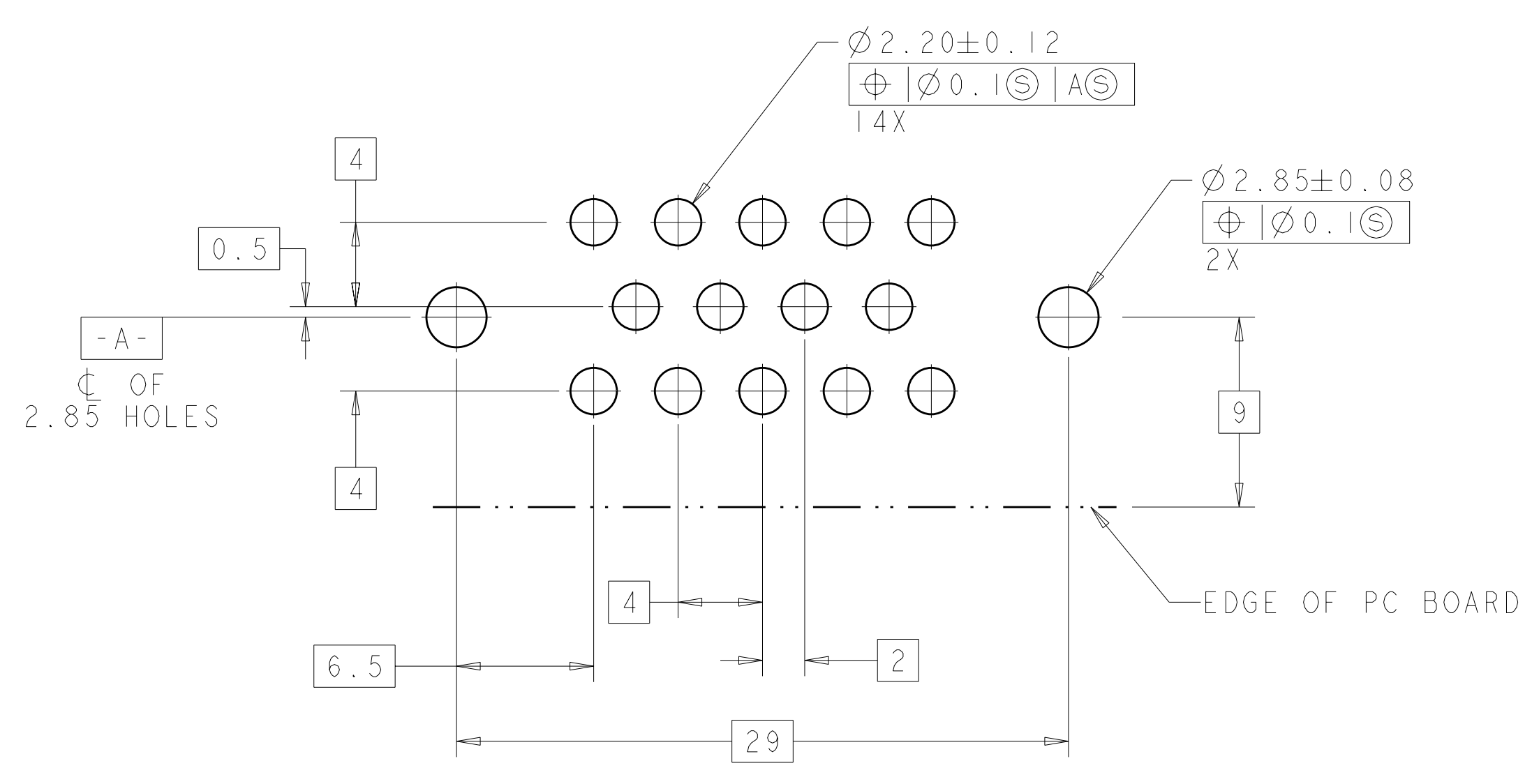
- △ ACCEPTS #4 SELF TAPPING THREAD FORMING SCREWS OR METRIC EQUIVALENT. DRIVE TO 0.6±0.2 N-m MAX.
- △ HOUSING COLORS ARE MECHANICALLY KEYS TO MATE ONLY WITH IDENTICALLY COLORED PLUG ASSEMBLIES.
- 3. HEADER MATES TO PLUG ASSEMBLY 776273 WHICH USES REELED TERMINAL 770520 OR LOOSE PIECE TERMINAL 770854
- △ MATERIAL: GASKET - SILICONE  
HEADER HOUSING - GLASS FILLED PBT  
PINS - TIN OR GOLD PLATED BRASS
- △ DATE CODE TO BE BRANDED ON THIS SURFACE PER TE SPEC 102-60. USE 5 DIGIT CODE: FIRST 2 DIGITS = YEAR, SECOND 2 DIGITS = WEEK, LAST DIGIT = DAY.



SECTION A-A  
OPTIONAL CONSTRUCTION IF THICKNESS IS GREATER THEN 2.0



RECOMMENDED MOUNTING HOLE LAYOUT  
FOR 5.0 MAXIMUM THICK PANEL



RECOMMENDED PC BOARD LAYOUT  
FOR 1.57 PC BOARD

HEADER HOUSING COLOR	DESCRIPTION	PART NUMBER
BLUE	DURAGOLD PLATED	1-776267-5
GRAY	DURAGOLD PLATED	1-776267-4
NATURAL	DURAGOLD PLATED	1-776267-2
BLACK	DURAGOLD PLATED	1-776267-1
BLUE	TIN PLATED	776267-5
GRAY	TIN PLATED	776267-4
NATURAL	TIN PLATED	776267-2
BLACK	TIN PLATED	776267-1

THIS DRAWING IS A CONTROLLED DOCUMENT.

STE TE Connectivity

108-1329 APPLICATION SPEC

114-16016 WEIGHT

A1100779C-776267

SCALE 4:1 SHEET 1 OF 1 REV B4