

THIS DRAWING IS UNPUBLISHED. RELEASED FOR PUBLICATION
 © COPYRIGHT - By - ALL RIGHTS RESERVED.

*AMPOWER is a trademark

LOC		DIST		REVISIONS			
P	LTR	DESCRIPTION		DATE	DWN	APVD	
GP	00	D		REV PER ECO-12-000102	9JAN2012	RG	DY

1. CABLE LENGTH TOLERANCE ON 0-150 INCH LONG CABLES = +0.2% -0% OF TOTAL CABLE LENGTH WITH A MINIMUM TOLERANCE OF = +6.4 [.25] -0.0 [.00]. CABLE LENGTH TOLERANCE ON CABLES OVER 150 INCHES LONG = + 1% -0% OF TOTAL CABLE LENGTH.

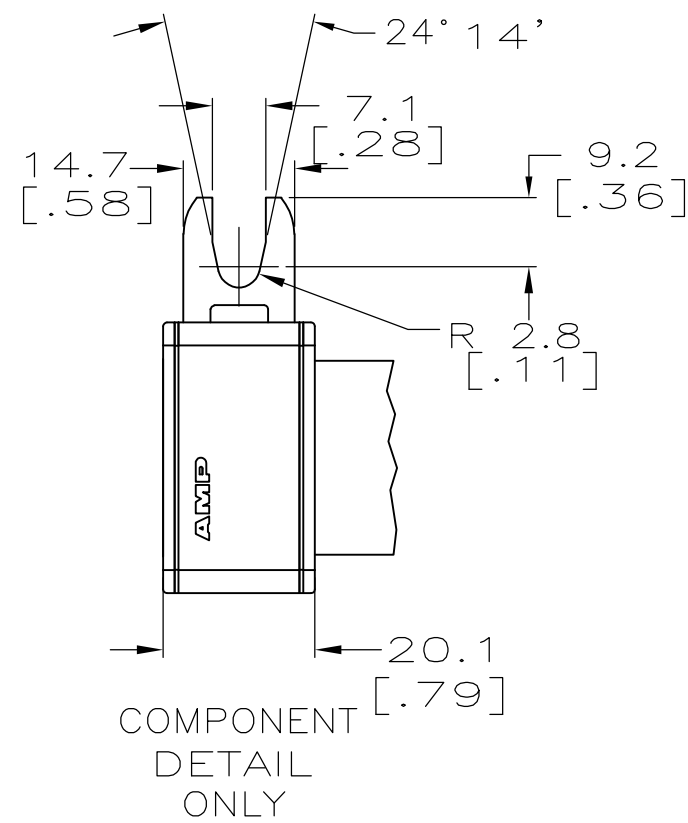
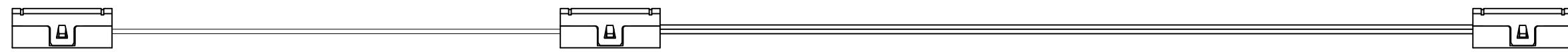
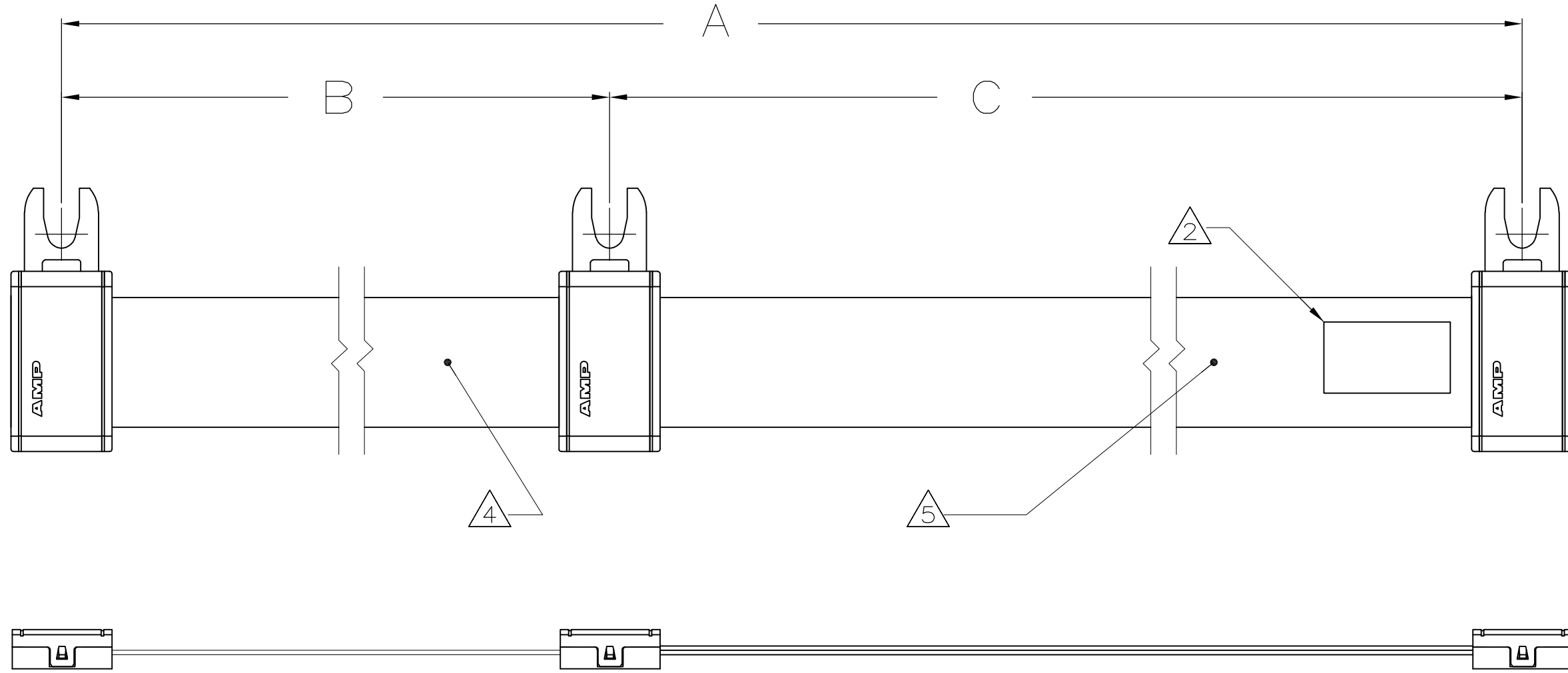
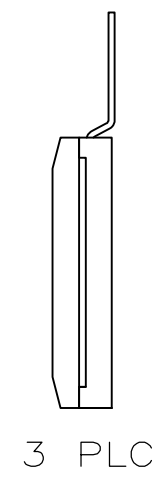
△2 LABEL APPROXIMATELY WHERE SHOWN PER AMP 2480.0903.MPI.

3. BECAUSE OF SHIPPING CONSTRAINTS, REFOLDING/SHAPING OF CABLE ASSEMBLIES MAY BE REQUIRED BY CUSTOMER BEFORE INSTALLATION.

△4 CABLE #1 RUNS THE ENTIRE LENGTH OF ASSEMBLY CONNECTING ALL SIDE TAPS.

△5 CABLE #2 IS ON TOP OF CABLE #1, CONNECTING THE SIDE TAPS SEPARATED BY DIMENSION "C".

△6 OBSOLETE PARTS: OBSOLETE CIS STREAMLINING PER D.RENAUD/D.SINISI



DIM C	DIM B	CABLE ASSY LENGTH A	STYLE	CONDUCTOR THICKNESS	PART NUMBER
1663.7 [65.5]	266.7 [10.5]	1930.4 [76.0]	SOLID	0.50 [.020]	1-766106-5
2019.3 [79.5]	266.7 [10.5]	2286.0 [90.0]	SOLID	0.50 [.020]	1-766106-4
1022.35 [40.25]	266.7 [10.50]	1289.05 [50.75]	SOLID	0.50 [.020]	1-766106-3
1333.50 [52.50]	266.7 [10.50]	1600.20 [63.00]	SOLID	0.50 [.020]	1-766106-2
△6 OBSOLETE 1282.7 [50.50]	266.7 [10.50]	1549.40 [61.00]	SOLID	0.50 [.020]	1-766106-1
1612.90 [63.50]	266.7 [10.50]	1879.60 [74.00]	SOLID	0.50 [.020]	1-766106-0
1809.75 [71.25]	266.7 [10.50]	2076.45 [81.75]	SOLID	0.50 [.020]	766106-9
△6 OBSOLETE 1892.3 [74.50]	266.7 [10.50]	2159.0 [85.00]	SOLID	0.50 [.020]	766106-8
1638.3 [64.50]	266.7 [10.50]	1905.0 [75.00]	SOLID	0.50 [.020]	766106-7
774.7 [30.50]	266.7 [10.50]	1041.4 [41.00]	SOLID	0.50 [.020]	766106-6
1358.9 [53.50]	266.7 [10.50]	1675.6 [64.00]	SOLID	0.50 [.020]	766106-5
1117.6 [44.00]	266.7 [10.50]	1384.3 [54.50]	SOLID	0.50 [.020]	766106-4
981.1 [36.63]	266.7 [10.50]	1197.1 [47.13]	SOLID	0.50 [.020]	766106-3
949.3 [37.38]	266.7 [10.50]	1216.2 [47.88]	SOLID	0.50 [.020]	766106-2
1184.3 [46.63]	266.7 [10.50]	1451.1 [57.13]	SOLID	0.50 [.020]	766106-1

THIS DRAWING IS A CONTROLLED DOCUMENT.

DWN	D.A. BABOW	09-22-95
CHK	D.E. PETRIE	09-22-95
APVD	J.E. LUCIUS	09-22-95
PRODUCT SPEC		
APPLICATION SPEC	114-49005	
WEIGHT	-	
CUSTOMER DRAWING		

TE Connectivity

CABLE ASSEMBLY
WAVE CRIMP

SIZE	CAGE CODE	DRAWING NO	RESTRICTED TO
A2	00779	C=766106	-
SCALE	SHEET	REV	
FULL	1 OF 1	D	