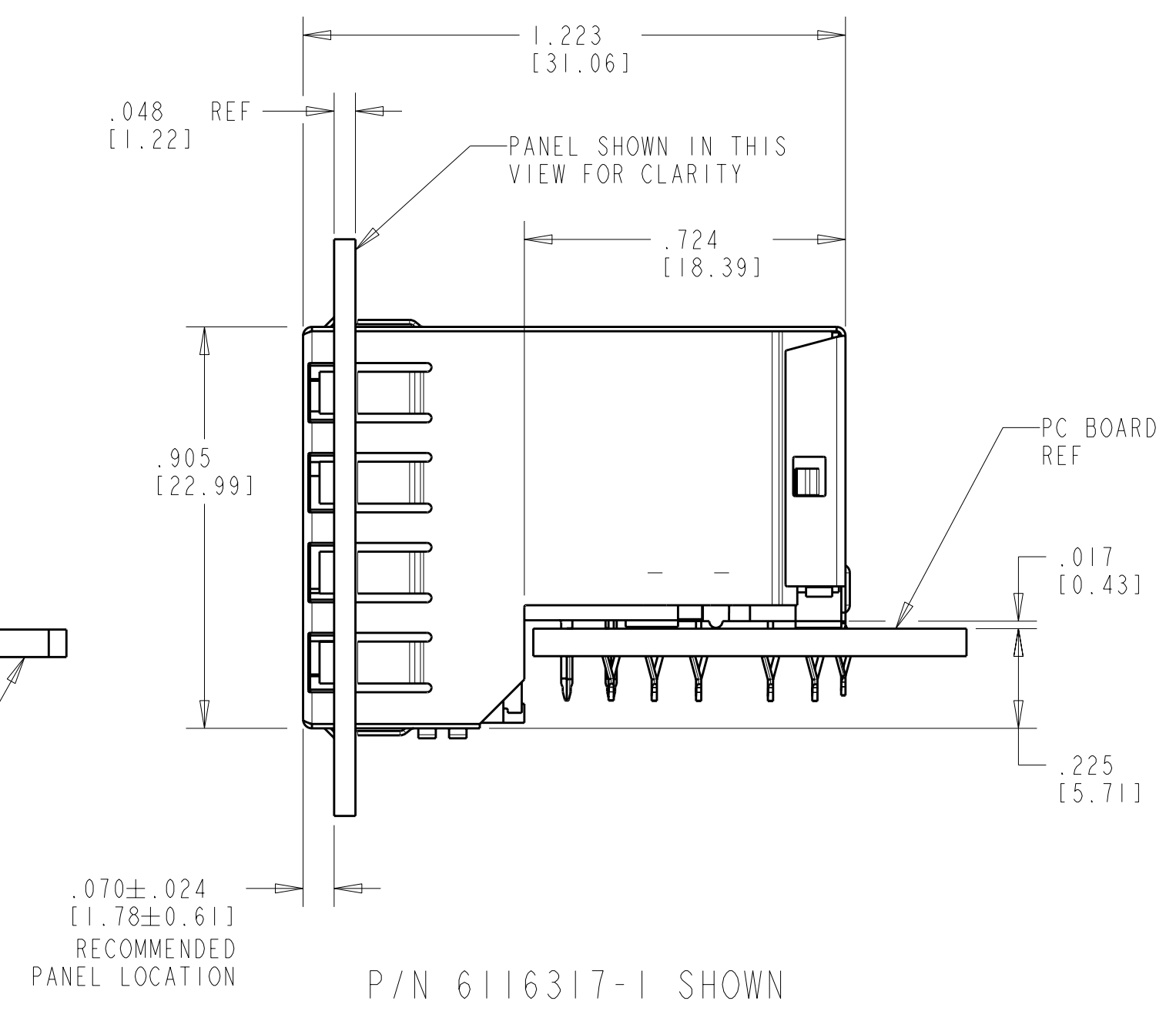
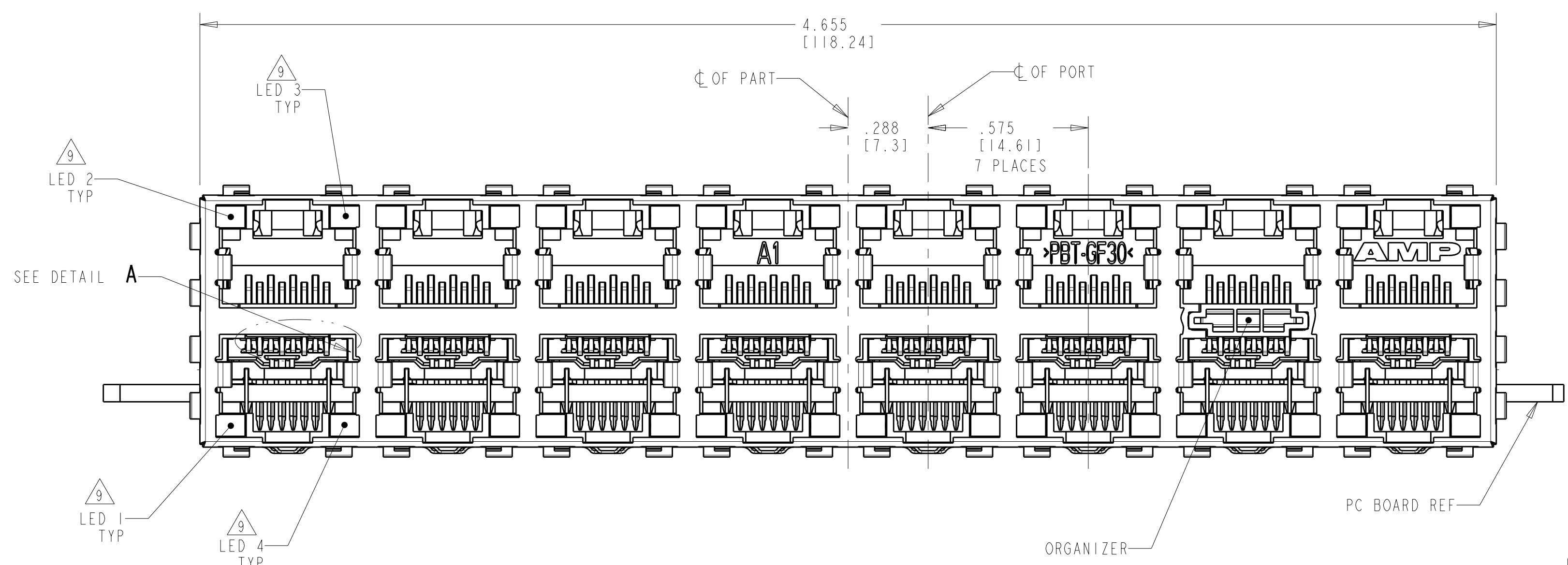
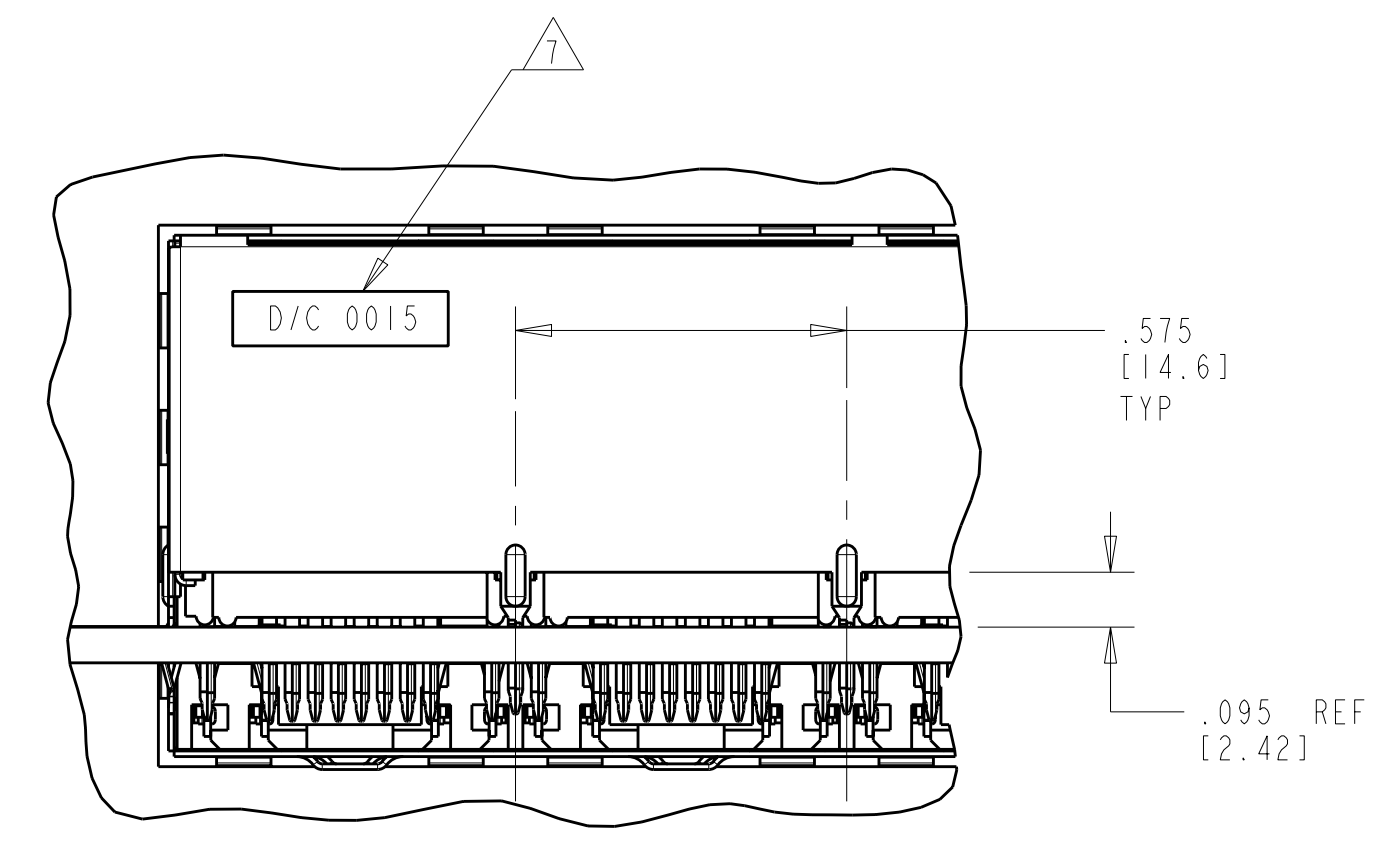
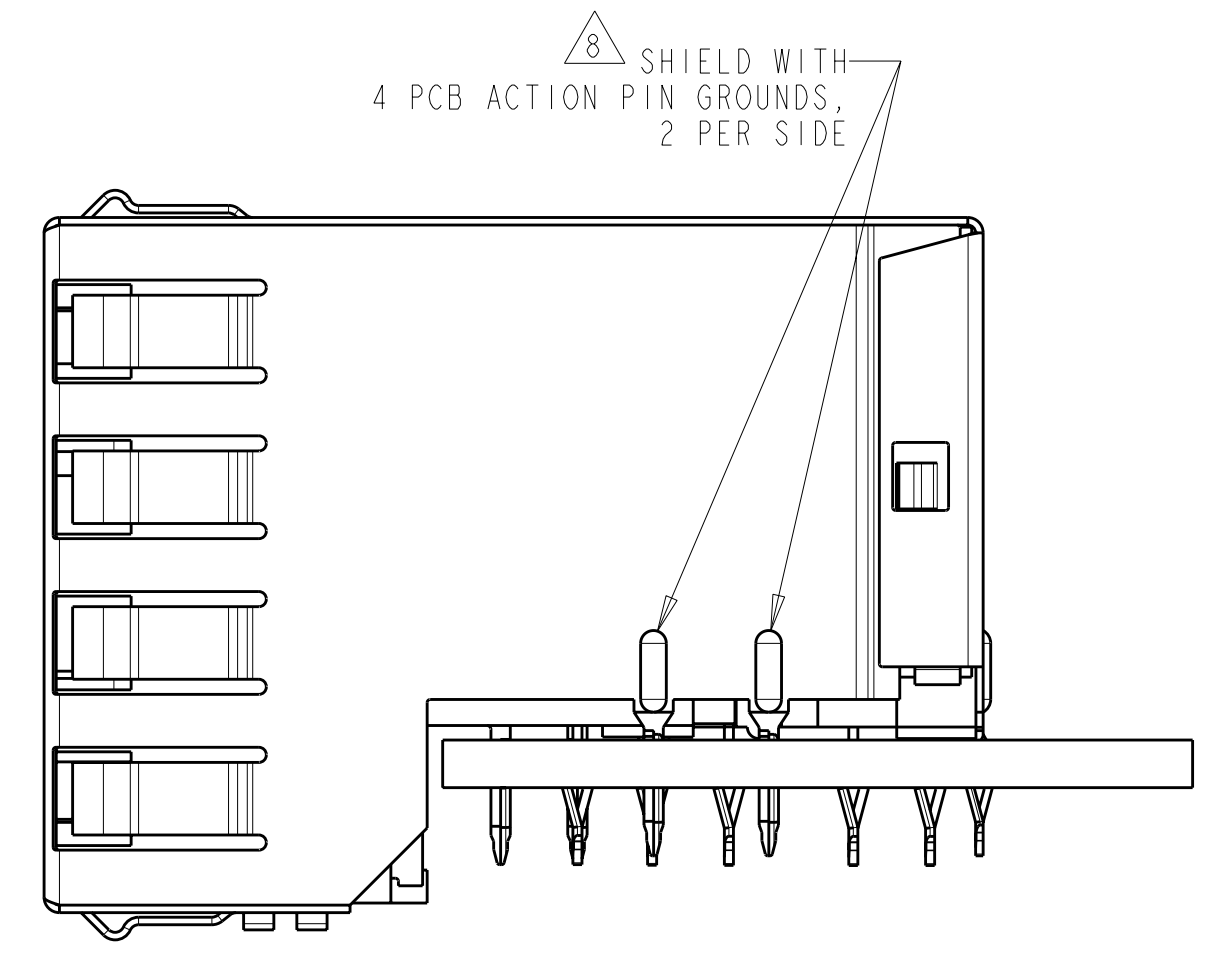
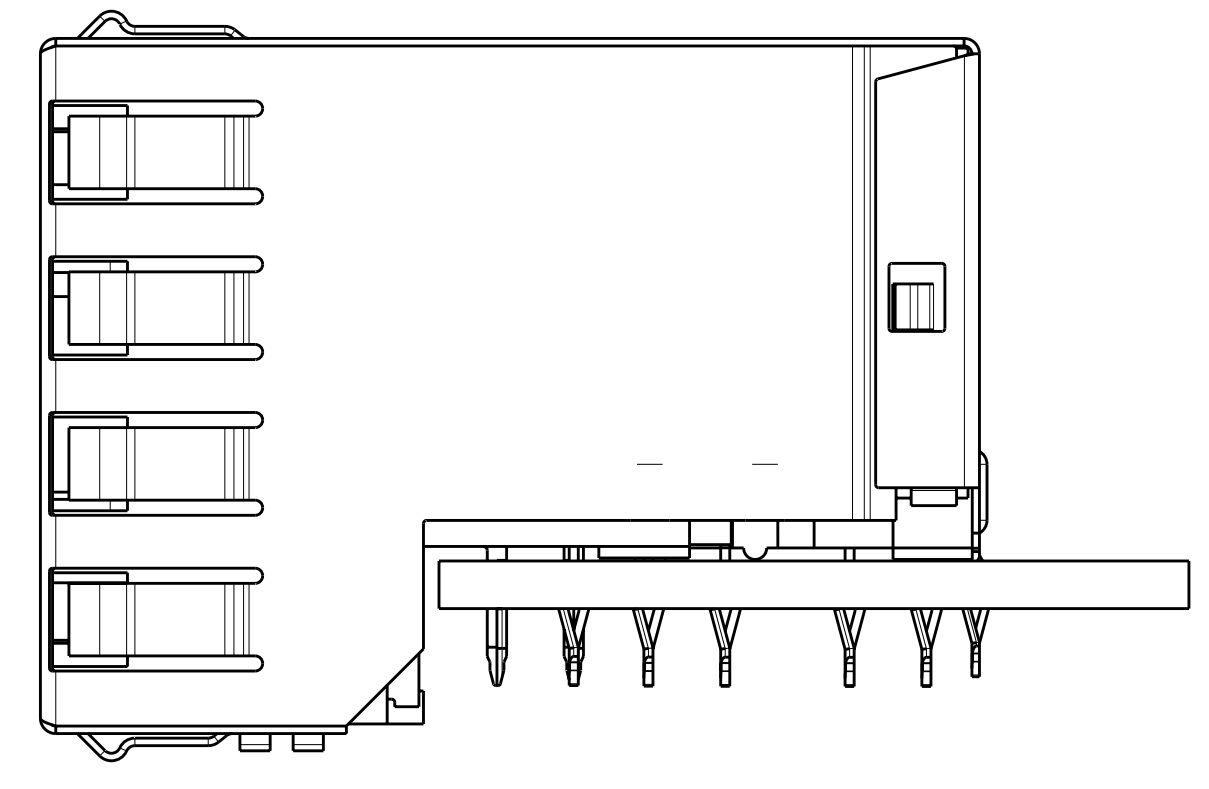


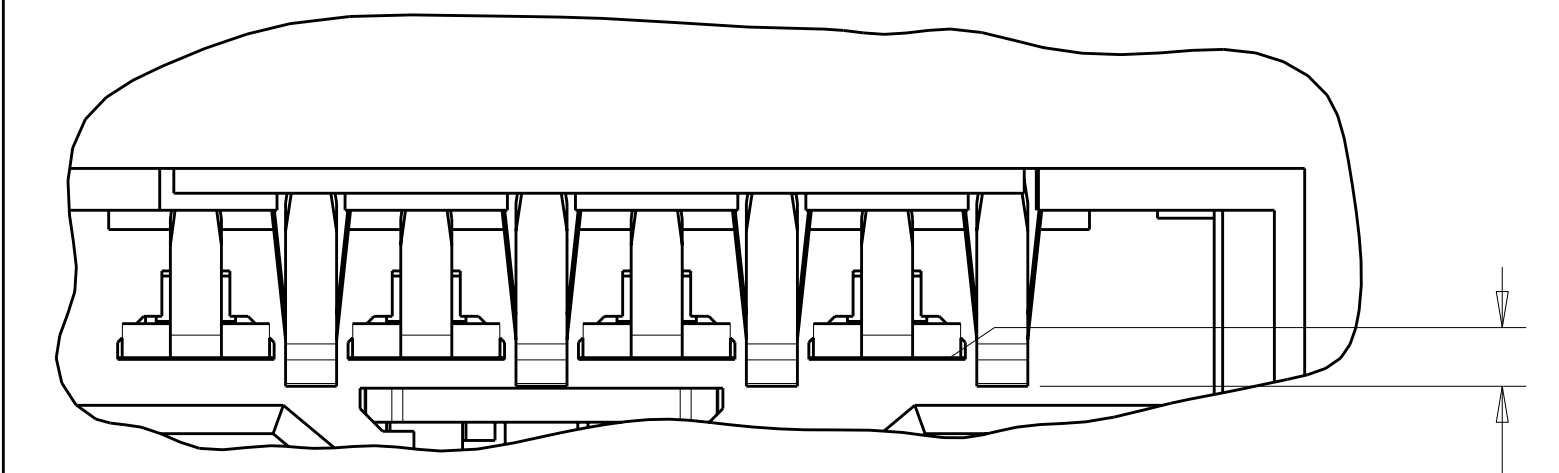
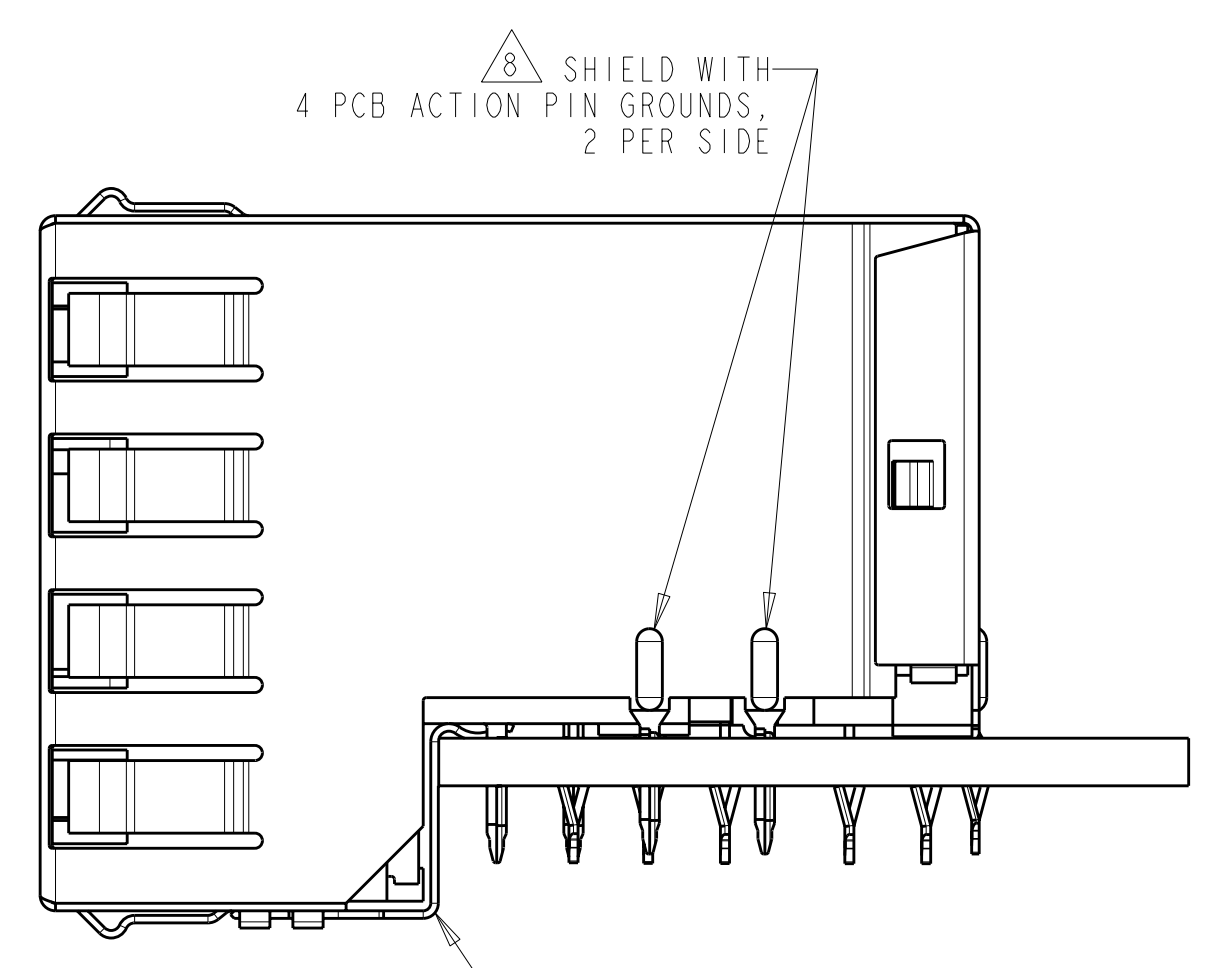
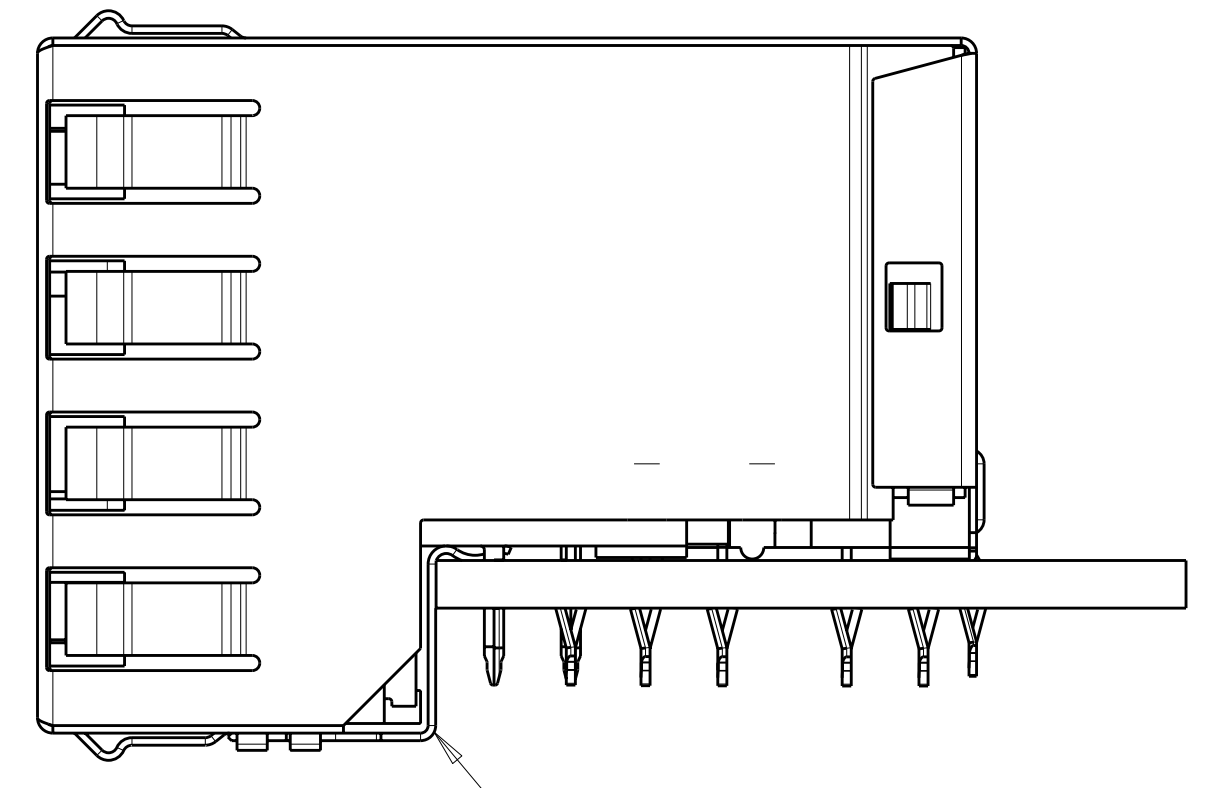
LOC	DIST	REV	DATE	BY	CHK	APPD
AA	22	C2	04MAY11	RK	HMR	



- 1 HOUSING: PBT POLYESTER, BLACK, UL 94V-0. TERMINALS: 0.30 THICK PHOS BRONZE PLATED WITH 1.27µm MINIMUM THICK HARD GOLD IN LOCALIZED AREA AND 2µm MINIMUM THICK MATTE TIN IN ACTION PIN COMPLIANT PIN TERMINAL AREA OVER 1.27µm MINIMUM THICK NICKEL UNDERPLATE. SHIELD: 0.25 THICK COPPER ALLOY PLATED WITH 2.03µm MINIMUM BRIGHT TIN OVER 1.27µm MINIMUM THICK GROUND CLIPS: 0.25 THICK COPPER ALLOY PLATED WITH 2.03µm MINIMUM MATTE TIN OVER 1.27µm MINIMUM THICK LIGHT EMITTING DIODE (LED): DIFFUSED EPOXY LENS, 12.95 CARBON STEEL WIREFRAME LEADS PLATED WITH 8.89µm TIN/COPPER OVER 2.03µm SILVER OVER 1.02µm COPPER OVER 3.56µm NICKEL OVER 1.02µm COPPER UNDERPLATE. LED ACTION PIN COMPLIANT PIN CONTACTS: 0.30 THICK BRASS PLATED WITH 2µm MINIMUM MATTE TIN.
- 2 JACK CAVITY CONFORMS TO FCC RULES AND REGULATIONS, PART 68 SUBPART F.
- 3 ALL DIMENSIONS ARE NOMINAL UNLESS OTHERWISE SPECIFIED.
- 4 TWO LEDS PER PORT, SIZE .079 X .118, SEE TABLE.
- 5 DRILLED HOLE DIA = .040±.001. COPPER THICKNESS = .001-.003. TIN THICKNESS = .0003 MIN.
- 6 DATUMS AND BASIC DIMENSIONS ESTABLISHED BY CUSTOMER.
- 7 DATE CODE LOCATED ON REAR OF PART APPROXIMATELY AS SHOWN.
- 8 THESE FOUR SIDE PCB ACTION PIN GROUNDS AND CORRESPONDING PCB HOLES ARE REQUIRED ONLY ON 6116317-2, 6116317-3, 6116317-5, 6116317-6, 6116317-7, -9 AND 1--0.
- 9 SUGGESTED OPERATING CURRENT FOR LEDS IS 20 mA.



RED/GREEN	RED/GREEN	RED/GREEN	RED/GREEN	1-6116317-0
GREEN/YELLOW	GREEN/YELLOW	RED/GREEN	RED/GREEN	6116317-9
GREEN/YELLOW	GREEN/YELLOW	RED/GREEN	RED/GREEN	6116317-8
GREEN	GREEN	YELLOW	YELLOW	6116317-7
YELLOW	YELLOW	GREEN	GREEN	6116317-6
GREEN/YELLOW	GREEN/YELLOW	GREEN/YELLOW	GREEN/YELLOW	6116317-5
GREEN	GREEN	GREEN	GREEN	6116317-4
GREEN	GREEN	GREEN	GREEN	6116317-3
GREEN	GREEN	GREEN	GREEN	6116317-2
GREEN	GREEN	GREEN	GREEN	6116317-1
LED #4 (LOWER-RIGHT)	LED #3 (UPPER-RIGHT)	LED #2 (UPPER-LEFT)	LED #1 (LOWER-LEFT)	PART NO.



8	4	8	1-6116317-0
8	4	8	6116317-9
NONE	NONE		6116317-8
NONE	4	8	6116317-7
NONE	4	8	6116317-6
NONE	4	8	6116317-5
8	NONE		6116317-4
8	4	8	6116317-3
NONE	4	8	6116317-2
NONE	NONE		6116317-1
GROUND CLIPS	SIDE PCB ACTION PIN GNDS		PART NUMBER

THIS DRAWING IS A CONTROLLED DOCUMENT.

DWN: L. VARELA - DOCKS 23 JUN 2005
CHK: J. WESTMAN 23 JUN 2005
APPD: S. FLICKINGER 23 JUN 2005

DIMENSIONS: INCHES[mm]

TOLERANCES UNLESS OTHERWISE SPECIFIED:

9 PLC	±
1 PLC	±
5 PLC	±.005 [0.13]
4 PLC	±.005 [0.13]
ANGLES	±

MATERIAL: FINISH:

PRODUCT SPEC: 108-1854
APPLICATION SPEC: 114-2160
WEIGHT: 1 = 77.2 grams

NAME: STACKED MODULAR JACK ASSEMBLY, 2X8 WITH LEDS, 8 POSITION, SHIELDED PANEL GROUND, OFFSET, CAT 5

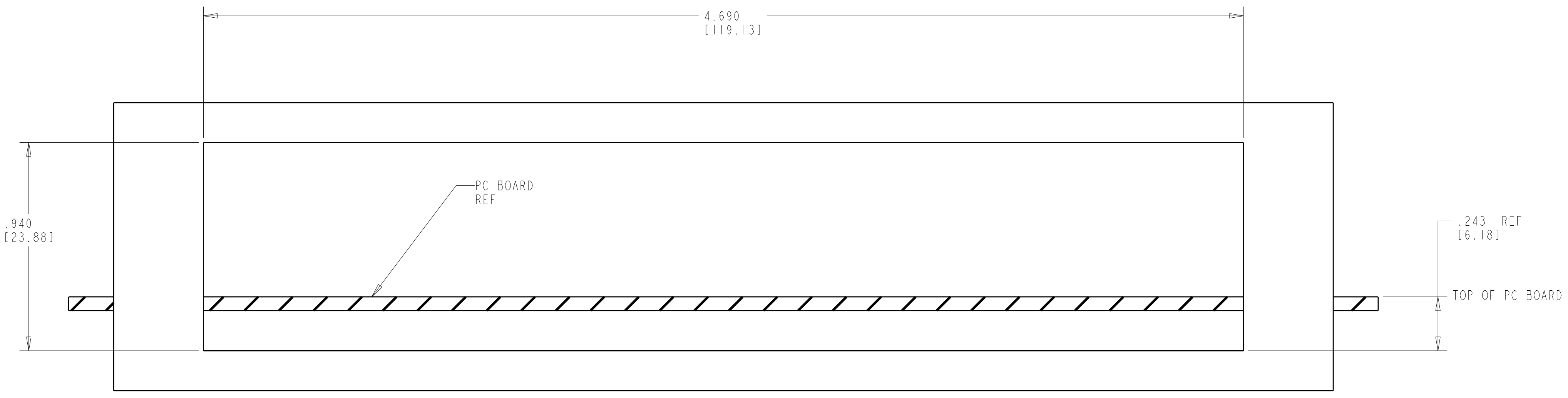
SIZE: A1 00779 C=6116317

CUSTOMER DRAWING

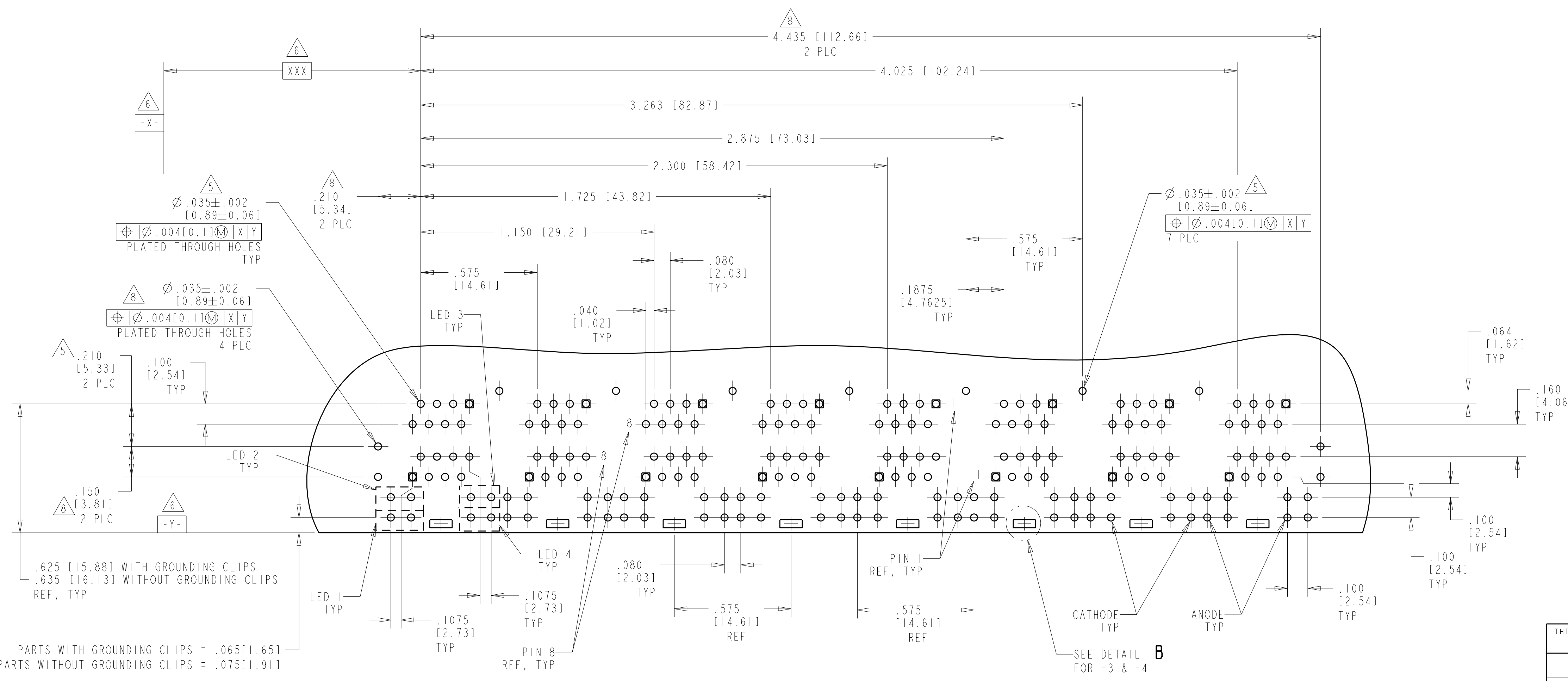
SCALE: 3:1 SHEET 1 OF 3 REV: C2

LOC	DIST	REV	DATE	BY	APPD
AA	22				

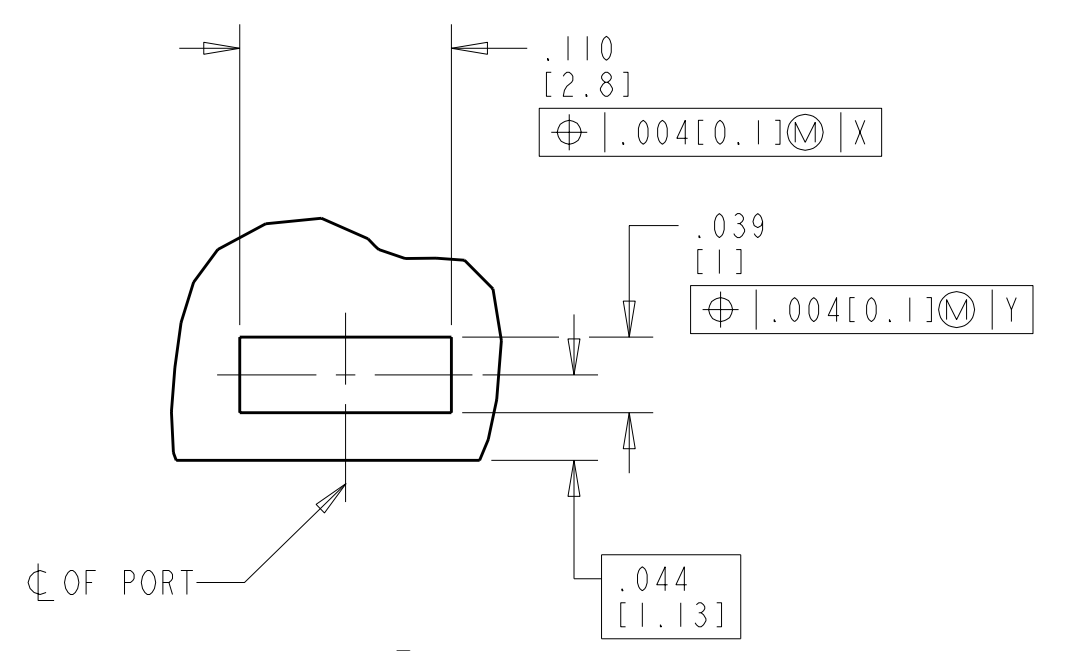
REVISIONS					
REV	DATE	BY	APPD	DESCRIPTION	DATE
-	-	-	-	SEE SHEET 1	-



RECOMMENDED PANEL CUT-OUT



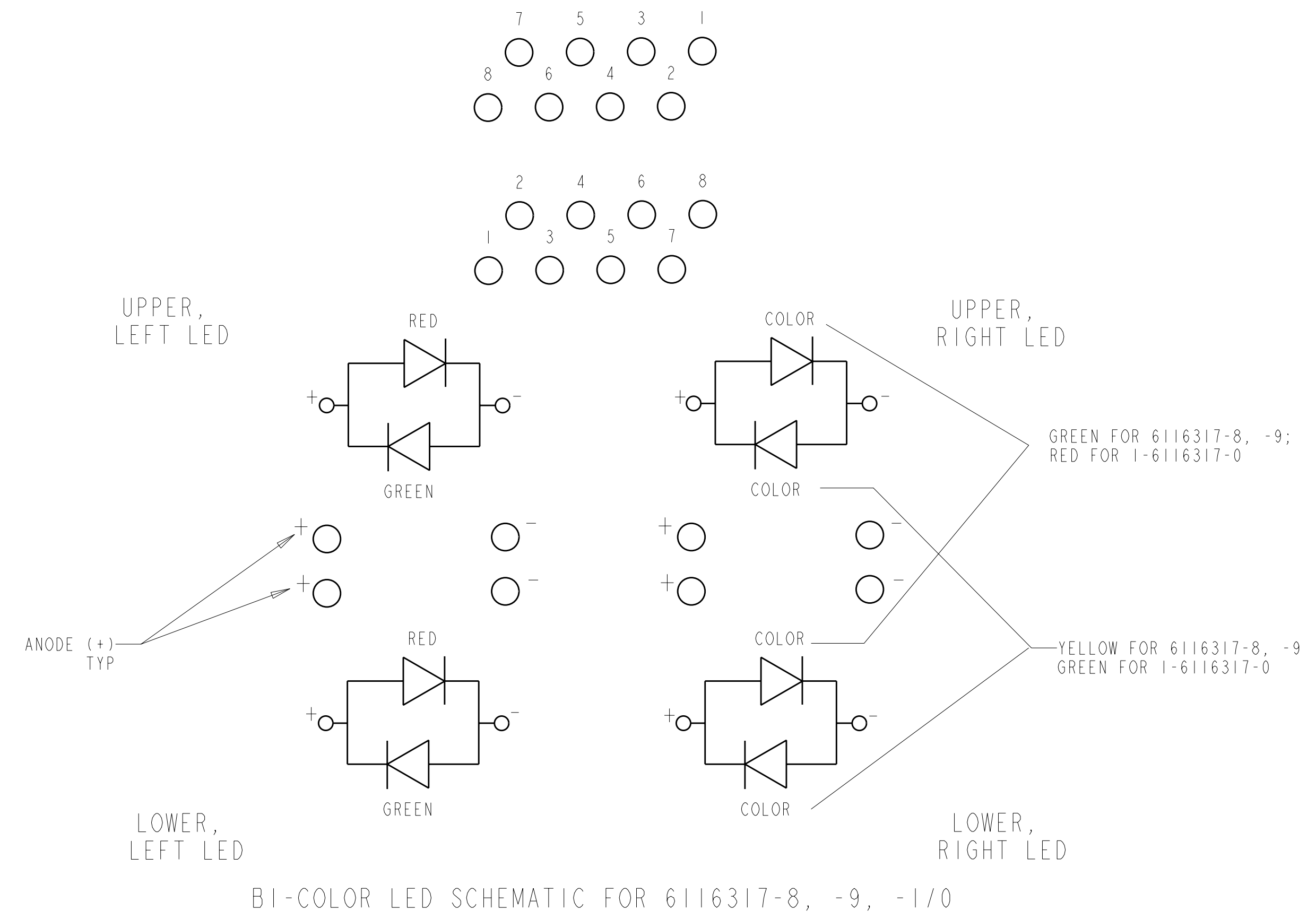
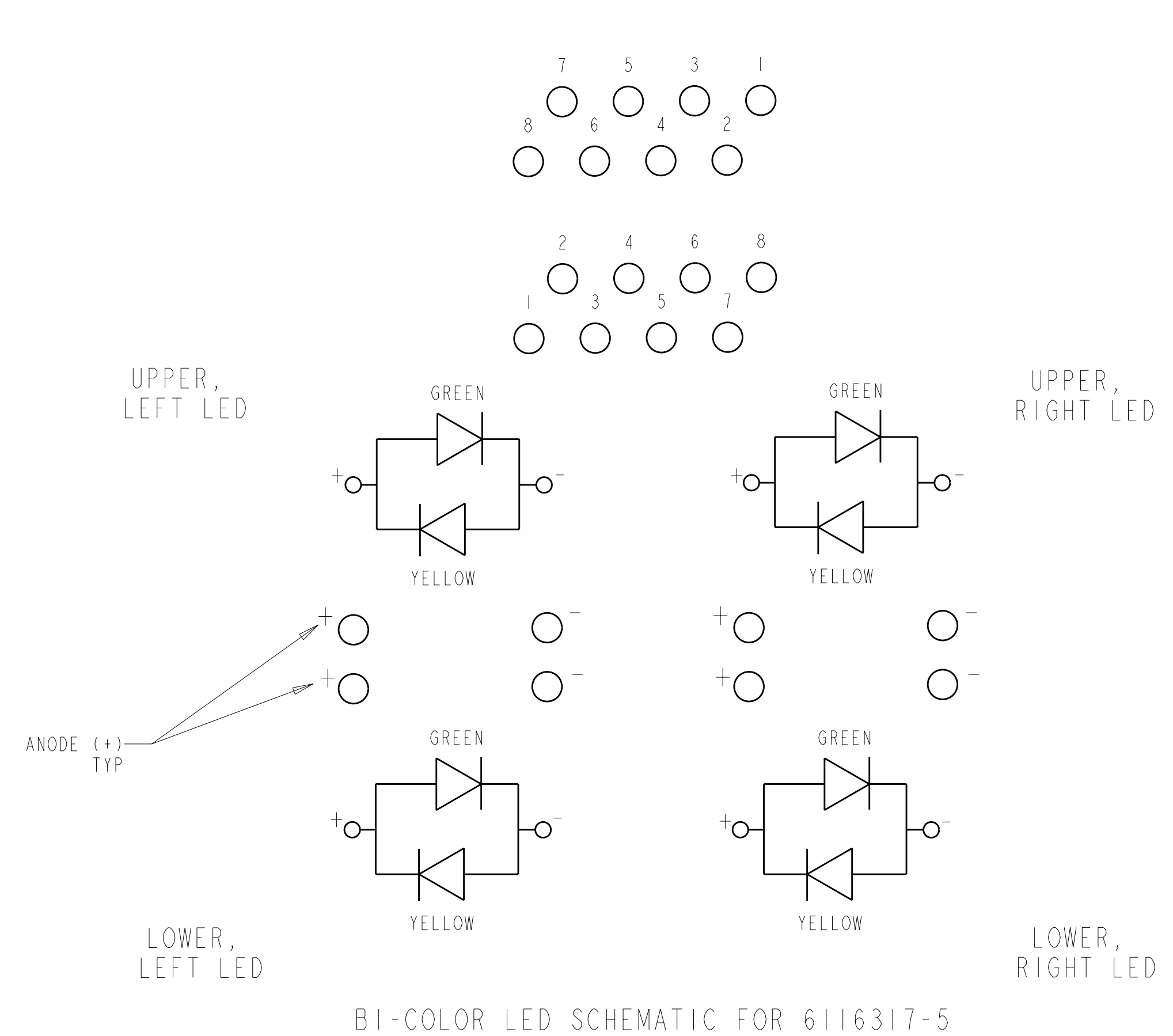
PC BOARD LAYOUT
(COMPONENT SIDE)



DETAIL B
THESE PLATED PADS REQUIRED FOR 6116317-3 & -4
PRODUCTS WITH GROUNDING CLIPS
SCALE 10:1
8 PLACES

THIS DRAWING IS A CONTROLLED DOCUMENT.		DWN M. VARELA - 23 JUN 2005	TE Connectivity	
DIMENSIONS: INCHES [mm]		CHK J. WESTMAN - 23 JUN 2005	NAME STACKED MODULAR JACK ASSEMBLY, 2X8 WITH LEDs, 8 POSITION, SHIELDED PANEL GROUND, OFFSET, CAT 5	
TOLERANCES UNLESS OTHERWISE SPECIFIED:		APVD S. FLICKINGER - 23 JUN 2005	PRODUCT SPEC 108-1854	
9 PLC ±		APPLICATION SPEC 114-2160		
1 PLC ±		WEIGHT 77.2 grams		
5 PLC ±		SIZE A1 00779 C=6116317		
4 PLC ±.005 [0.13]		CUSTOMER DRAWING		
ANGLES ±.005 [0.13]		SCALE 3:1 SHEET 2 OF 3 REV C2		
FINISH		RESTRICTED TO		

LOC	DIST	REVISIONS			
AA	22	REV	DATE	BY	APPD
		-	SEE SHEET 1	-	-



THIS DRAWING IS A CONTROLLED DOCUMENT.		DWN L. VARELA - DOCKS 23 JUN 2005	TE Connectivity												
DIMENSIONS: INCHES[mm]		CHK J. WESTMAN 23 JUN 2005													
TOLERANCES UNLESS OTHERWISE SPECIFIED:		APVD S. FLICKINGER 23 JUN 2005	NAME STACKED MODULAR JACK ASSEMBLY, 2X8 WITH LEDS, 8 POSITION, SHIELDED PANEL GROUND, OFFSET, CAT 5												
<table border="1"> <tr><td>9 PLC</td><td>±</td></tr> <tr><td>1 PLC</td><td>±</td></tr> <tr><td>2 PLC</td><td>±</td></tr> <tr><td>3 PLC</td><td>±</td></tr> <tr><td>4 PLC</td><td>±.005 [0.13]</td></tr> <tr><td>ANGLES</td><td>±</td></tr> </table>		9 PLC	±	1 PLC	±	2 PLC	±	3 PLC	±	4 PLC	±.005 [0.13]	ANGLES	±	PRODUCT SPEC 108-1854	SIZE A1
9 PLC	±														
1 PLC	±														
2 PLC	±														
3 PLC	±														
4 PLC	±.005 [0.13]														
ANGLES	±														
MATERIAL -		FINISH -	RESTRICTED TO												
WEIGHT 77.2 grams		CAGE CODE 00779	DRAWING NO. 6116317												
CUSTOMER DRAWING		SCALE 3:1	SHEET 3 OF 3												
		REV C2													