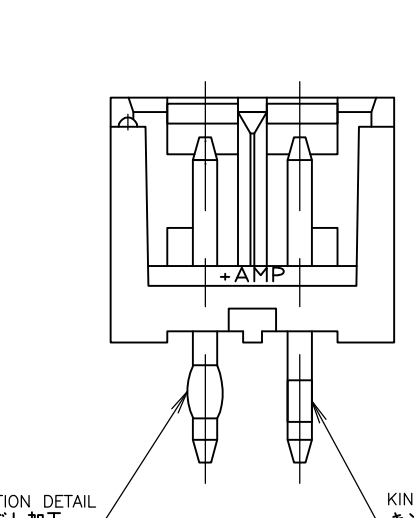
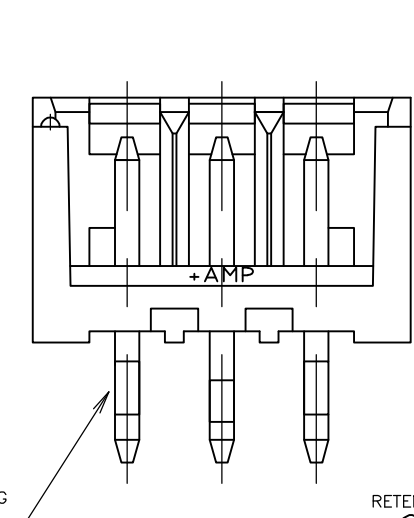
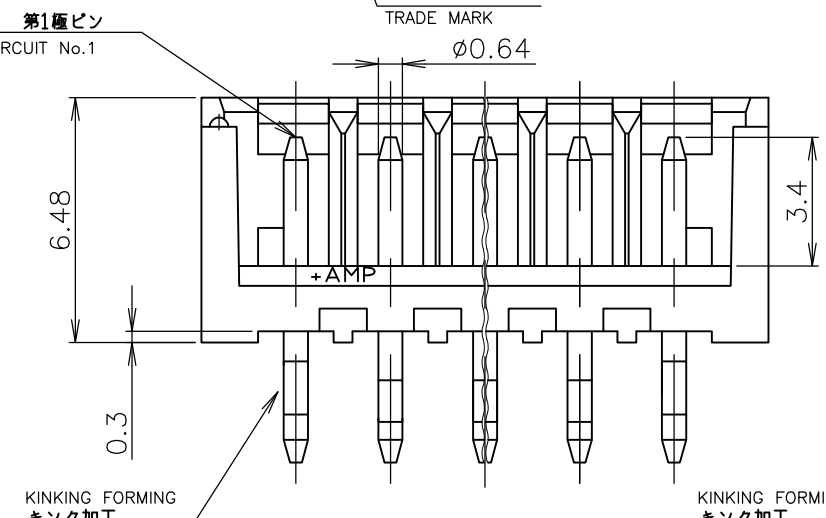
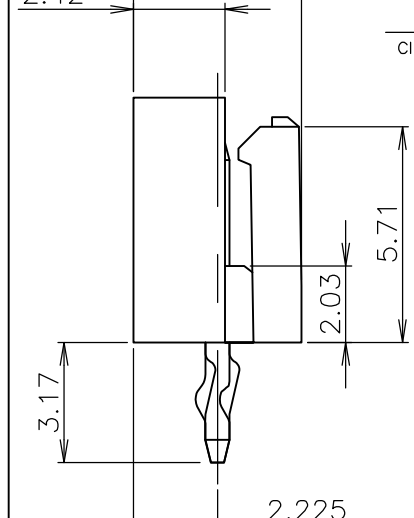
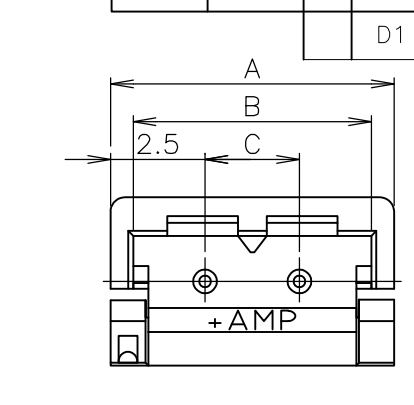
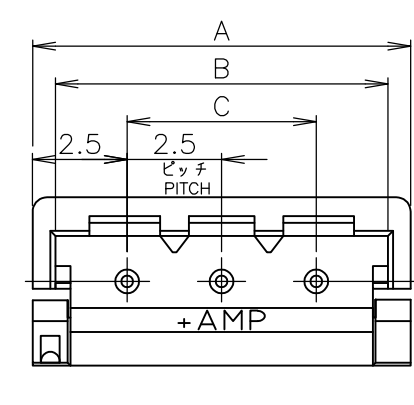
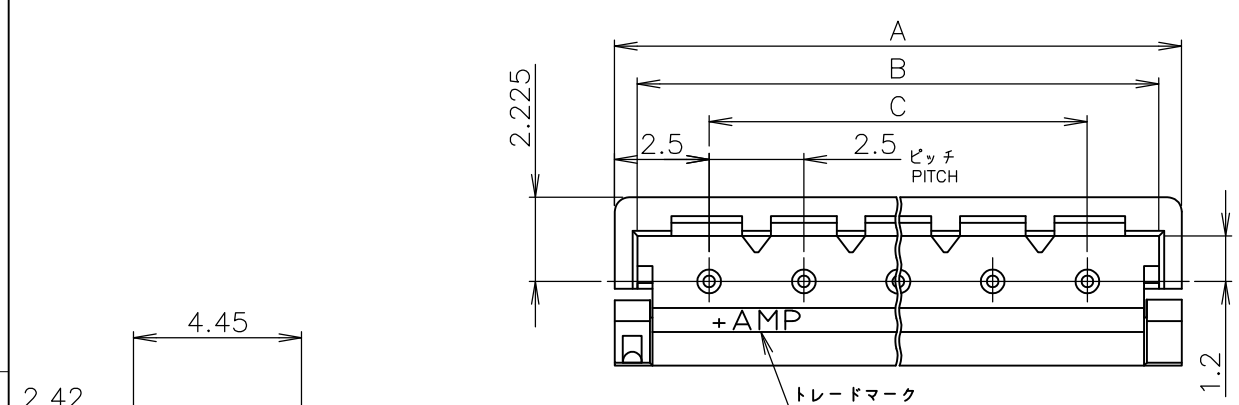


THIS DRAWING IS UNPUBLISHED. RELEASED FOR PUBLICATION  
 © COPYRIGHT By - ALL RIGHTS RESERVED.

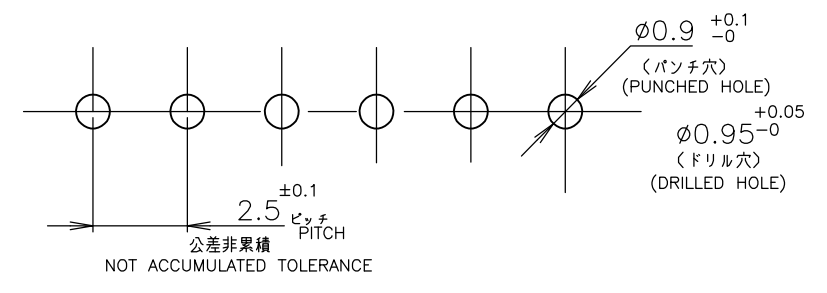
LOC	DIST	REVISIONS					
J		P	LTR	DESCRIPTION	DATE	DWN	APVD
			D1	REVISED PER ECO-11-005030	11MAR11	RK	HMR



注記  
 1. 材料：ハウジング - 66 ナイロン (UL94V-0)  
 ポスト - 錫めっき黄銅  
 2. 適用製品規格：108-5385  
 3. 嵌合相手製品型番：P/N 177534, 179872

NOTES;  
 1. MATERIAL : HOUSING - 66NYLON (UL94V-0)  
 POST - PRE-TIN BRASS  
 2. PRODUCT SPEC : 108-5385  
 3. MATING COUNTER PART NUMBER : P/N 177534 ,179872

全箇所 ALL PLACES  
 4~8極 4~13 Pos.  
 3ヶ所 3 PLACES  
 3 極品 3 Pos.  
 1ヶ所 1 PLACES  
 2 極品 2 Pos.  
 1ヶ所 1 PLACES



RECOMMENDABLE P.C.BOARD LAYOUT  
 推奨基板寸法  
 (板厚 1.0~1.6)  
 (B.C.B THK:1.0~1.6)

30.0	34.2	35.0	13	9-	-3	7-	-3	5-	-3	3-	-3	1-	-3
27.5	31.7	32.5	12	9-	-2	7-	-2	5-	-2	3-	-2	1-	-2
25.0	29.2	30.0	11	9-	-1	7-	-1	5-	-1	3-	-1	1-	-1
22.5	26.7	27.5	10	9-	-0	7-	-0	5-	-0	3-	-0	1-	-0
20.0	24.2	25.0	9	8-	-9	6-	-9	4-	-9	2-	-9		-9
17.5	21.7	22.5	8	8-	-8	6-	-8	4-	-8	2-	-8		-8
15.0	19.2	20.0	7	8-	-7	6-	-7	4-	-7	2-	-7		-7
12.5	16.7	17.5	6	8-	-6	6-	-6	4-	-6	2-	-6		-6
10.0	14.2	15.0	5	8-	-5	6-	-5	4-	-5	2-	-5		-5
7.5	11.7	12.5	4	8-	-4	6-	-4	4-	-4	2-	-4		-4
5.0	9.2	10.0	3	8-	-3	6-	-3	4-	-3	2-	-3		-3
2.5	6.7	7.5	2	8-177537-2		6-177537-2		4-177537-2		2-177537-2			177537-2
C	B	A	極数 Pos.	青 BLUE	黒 BLACK	赤 RED	黄 YELLOW	製品型番 PART No.					

THIS DRAWING IS A CONTROLLED DOCUMENT.

DIMENSIONS: 単位: 概 mm

TOLERANCES UNLESS OTHERWISE SPECIFIED: 一般公差

0-PLC ±  
 1-PLC ±  
 2-PLC ±  
 3-PLC ±  
 4-PLC ±  
 ANGLES ±

MATERIAL 材料 SEE NOTE 1

FINISH 仕上

DWN S.KANEKI 140CT92  
 CHK A.ONO 140CT92  
 APVD S.KUBOUCHI 250CT95

PRODUCT SPEC 製品規格  
 APPLICATION SPEC 取付適用規格

WEIGHT

CUSTOMER DRAWING

NAME 名称 POST HDR ASSEMBLY  
 2.5mm PITCH METRIC INTERCONNECT SYSTEM

SIZE A3 CAGE CODE 00779 DRAWING NO. 177537 RESTRICTED TO

SCALE 尺度 10:1 SHEET 1 OF 1 REV D1