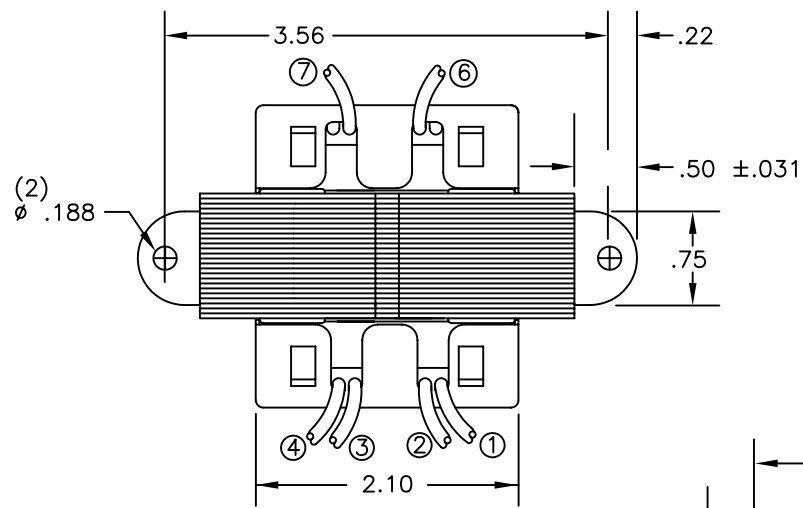


THIS DRAWING IS UNPUBLISHED. RELEASED FOR PUBLICATION
 © COPYRIGHT - BY TYCO ELECTRONICS CORPORATION. ALL RIGHTS RESERVED.

LOC	DIST	REVISIONS					
GZ	00	P	LTR	DESCRIPTION	DATE	DWN	APVD
		B		ECR-09-000953	15JAN09	KH	HT



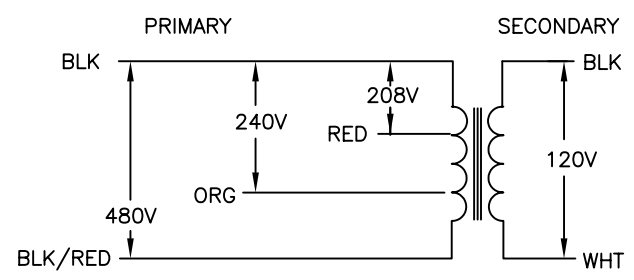
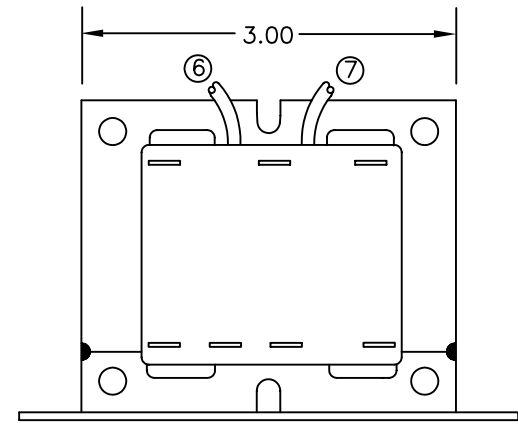
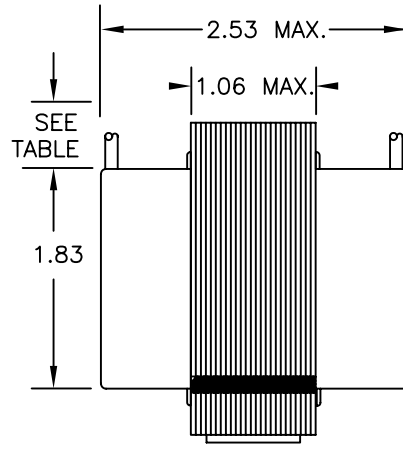
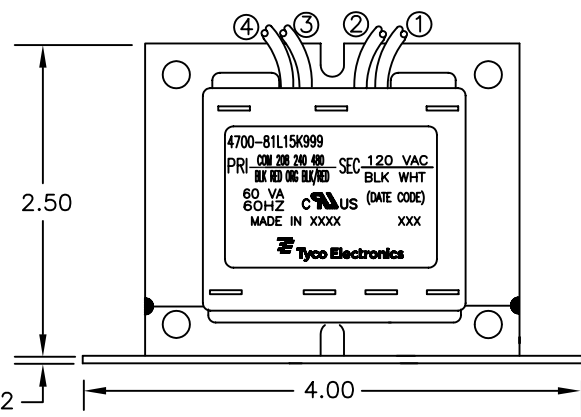
ALL LEADS 18AWG-UNLESS OTHERWISE SPECIFIED

PRIMARY				
LEAD NO.	1	2	3	4
VOLTAGE	COM	208	240	480
COLOR	BLK	RED	ORG	BLK/RED
LENGTH	12.0	12.0	12.0	12.0
STRIP LENGTH	.50	.50	.50	.50

- NOTES
- DIMENSIONS FOR REFERENCE ONLY.
 - ALL LEADS +1"/-0" TOL.
 - STRIP TOL. ±1/32
 - WINDING PROTECTION-NONE

CERTIFICATION: UL/CUL FILE NO. E102980

SECONDARY			
LEAD NO.	6	7	
VOLTAGE	120	VAC	
COLOR	BLK	WHT	
LENGTH	12.0	12.0	
STRIP LENGTH	.50	.50	



SCHMATIC

TYCO ELECTRONICS PART NUMBER
1-1611467-1

THIS DRAWING IS A CONTROLLED DOCUMENT.		DWN	11MAR04	Tyco Electronics Corporation Harrisburg, PA 17105-3608
		CHK	11MAR04	
		APVD	11MAR04	
		HT		
DIMENSIONS: INCHES		TOLERANCES UNLESS OTHERWISE SPECIFIED:		NAME
		0 PLC ± -		TRANSFORMER OUTLINE P.U. STOCK
		1 PLC ± -		
		2 PLC ±.01		
		3 PLC ±.005		
4 PLC ± -		ANGLES ± -		SIZE
MATERIAL		FINISH		CAGE CODE
-		-		DRAWING NO
				RESTRICTED TO
				A300779
				C=4700-81L15K999
				SCALE
				1:1
				SHEET
				1 OF 1
				REV
				B
				CUSTOMER DRAWING