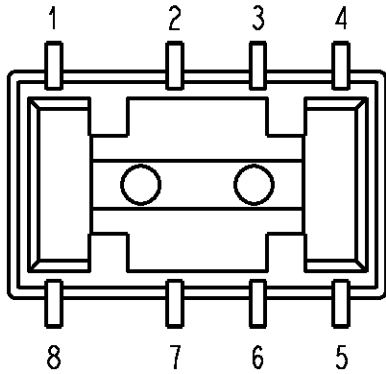
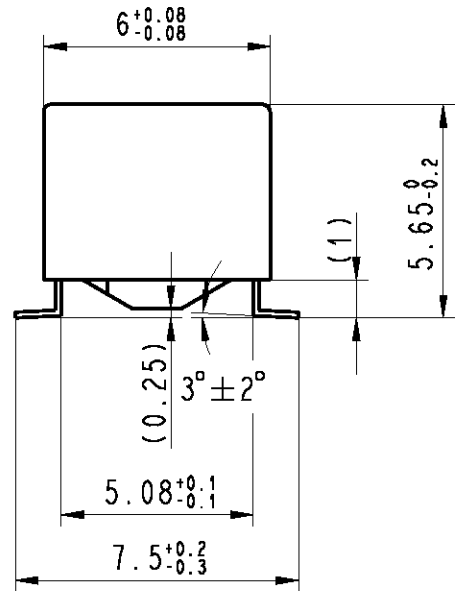
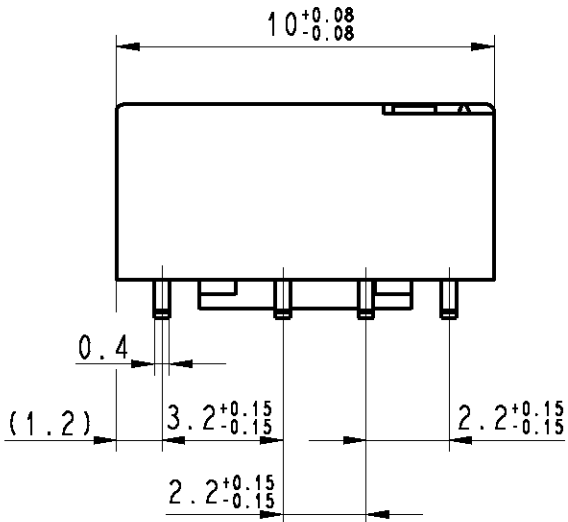


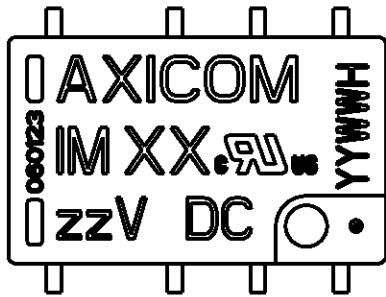
| LOC | | DIST | | REVISIONS | | | |
|-----|-----|-------------|---------------------------|-----------|------|-----|--|
| P | LTR | DESCRIPTION | DATE | DWN | APVD | | |
| HJ | - | A8 | REVISED PER ECO-11-005150 | 25MAR11 | RK | HMR | |



Relay - bottom view



Coplanarity < 0.10mm



XX = Relay type
 zz = nominal voltage
 YYWW = Date code

| | |
|---------------|-------------|
| DRAWING ALIAS | E2000-DOK02 |
|---------------|-------------|

THIS DRAWING IS UNPUBLISHED.

ALL RIGHTS RESERVED.

COPYRIGHT BY -

| | | | | | | | |
|--|------------------|-------------------------|-----------|-------------|---------------|--------|--------|
| DIMENSIONS: mm | DWN | UKo 9193 | 20Jan1999 | MATERIAL | - | FINISH | - |
| | CHK | HD 9121 | 20Jan1999 | | | | |
| TOLERANCES UNLESS OTHERWISE SPECIFIED: DIN 7168-m | APVD | HD 9121 | 20Jan1999 | | | | |
| 0 PLC ±- | PRODUCT SPEC | NAME | | | | | |
| 1 PLC ±- | - | IM-Relay SMT Gull Wings | | | | | |
| 2 PLC ±- | APPLICATION SPEC | Dimensions | | | | | |
| 3 PLC ±- | - | SIZE | CAGE CODE | DRAWING NO | RESTRICTED TO | | |
| 4 PLC ±- | WEIGHT | A4 | 00779 | C-1462037-2 | - | | |
| ANGLES ±- | CUSTOMER DRAWING | SCALE | | 5:1 | SHEET | 1 OF 1 | REV A8 |