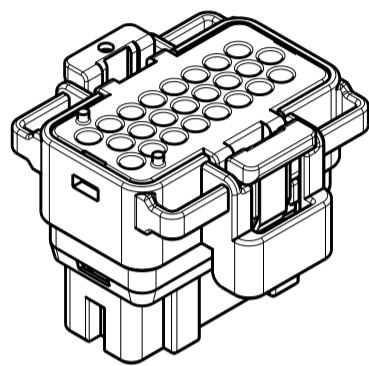
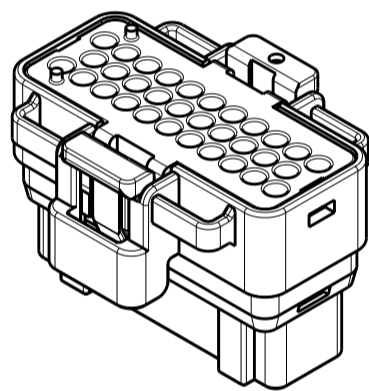


THIS DRAWING IS UNPUBLISHED. RELEASED FOR PUBLICATION 20
 BY TYCO ELECTRONICS CORPORATION. ALL INTERNATIONAL RIGHTS RESERVED.

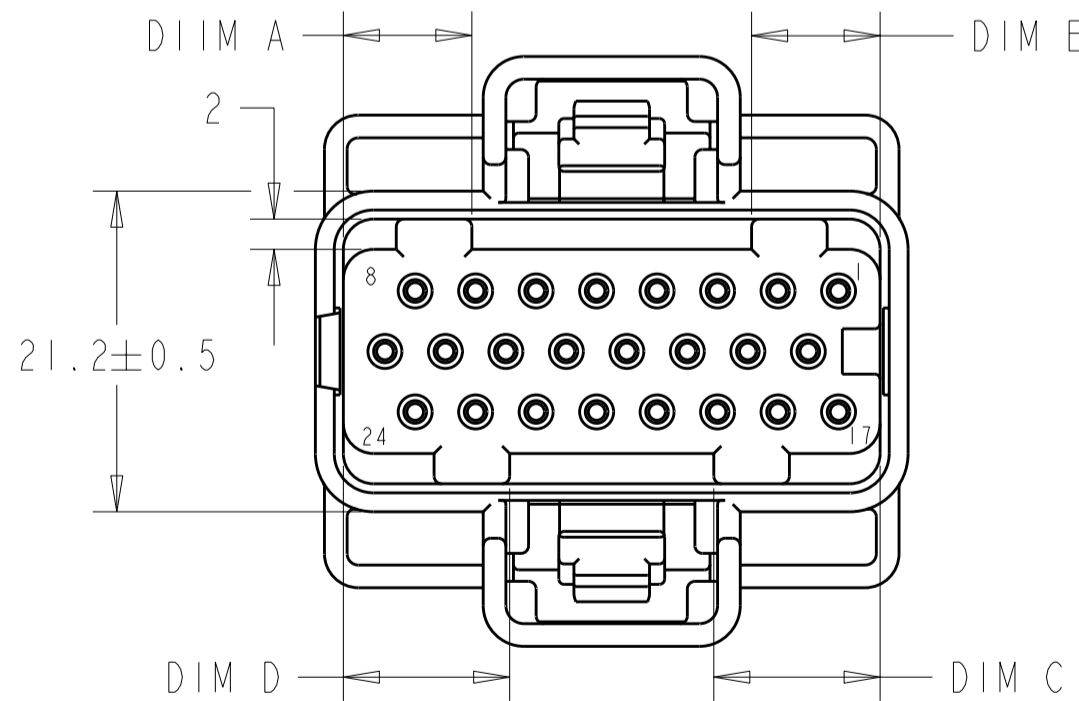
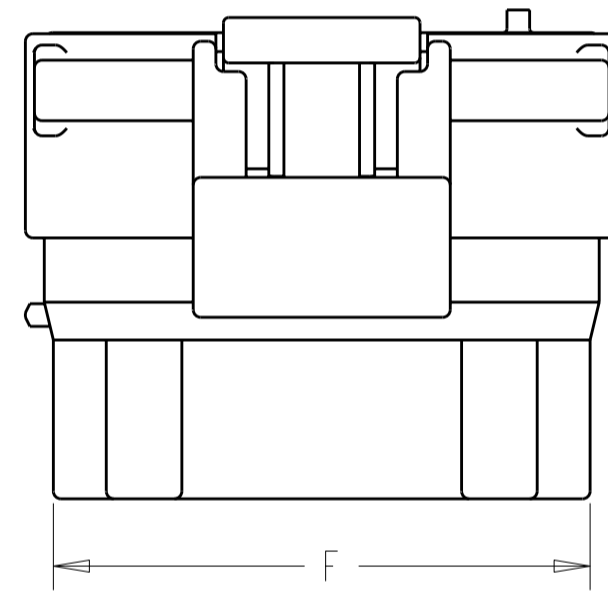
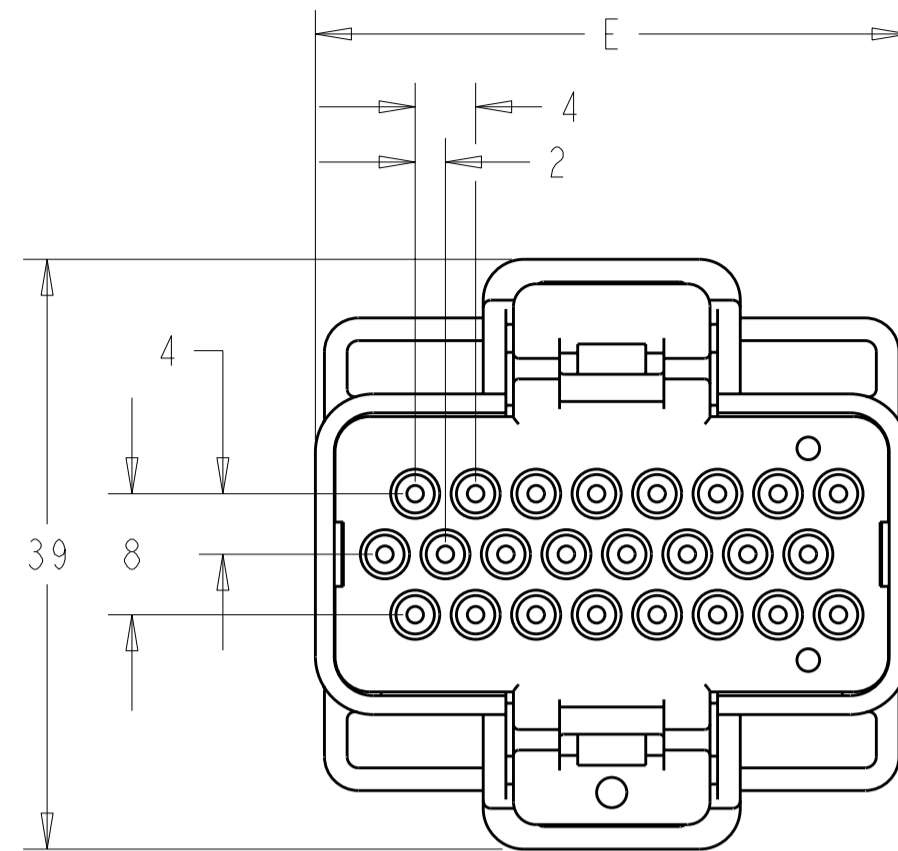
TE NO.	POSN	A	B	C	D	E	F	COLOR
1456315-1	24	7.50	12.00	9.00	9.00	39.2	35,5	BLACK
1456315-2	24	7.50	11.00	11.00	9.00	39.2	35,5	BLACK
1456315-3	24	7.50	11.00	11.00	12.00	39.2	35,5	GREY
1456315-4	24	9.00	11.00	11.00	9.00	39.2	35,5	GREY
1456315-5	32	12.00	12.00	12.00	9.00	49.2	45.5	BLACK
1456315-6	32	12.00	12.00	12.00	9.00	49.2	45.5	BLACK
1456315-7	24	7.50	11.00	11.00	12.00	39.2	35,5	GREY
1456315-8	24	9.00	11.00	11.00	9.00	39.2	35,5	GREY
1456315-9	24	7.50	11.00	11.00	12.00	39.2	35,5	GREY
1-1456315-0	24	7.50	11.00	11.00	12.00	39.2	35,5	GREY
1-1456315-1	24	9.00	11.00	11.00	9.00	39.2	35,5	GREY
1-1456315-2	24	9.00	11.00	11.00	9.00	39.2	35,5	GREY
1-1456315-3	24	7.50	12.00	9.00	9.00	39.2	35,5	BLACK
1-1456315-4	24	7.50	11.00	11.00	9.00	39.2	35,5	BLACK
1-1456315-5	24	7.50	11.00	11.00	12.00	39.2	35,5	GREY
1-1456315-6	24	9.00	11.00	11.00	9.00	39.2	35,5	GREY
1-1456315-7	24	9.00	11.00	11.00	9.00	39.2	35,5	GREY
1-1456315-8	24	7.50	11.00	11.00	12.00	39.2	35,5	GREY
1-1456315-9	24	9.00	11.00	11.00	9.00	39.2	35,5	GREY
2-1456315-0	32	12.00	12.00	12.00	9.00	49.2	45.5	BLACK



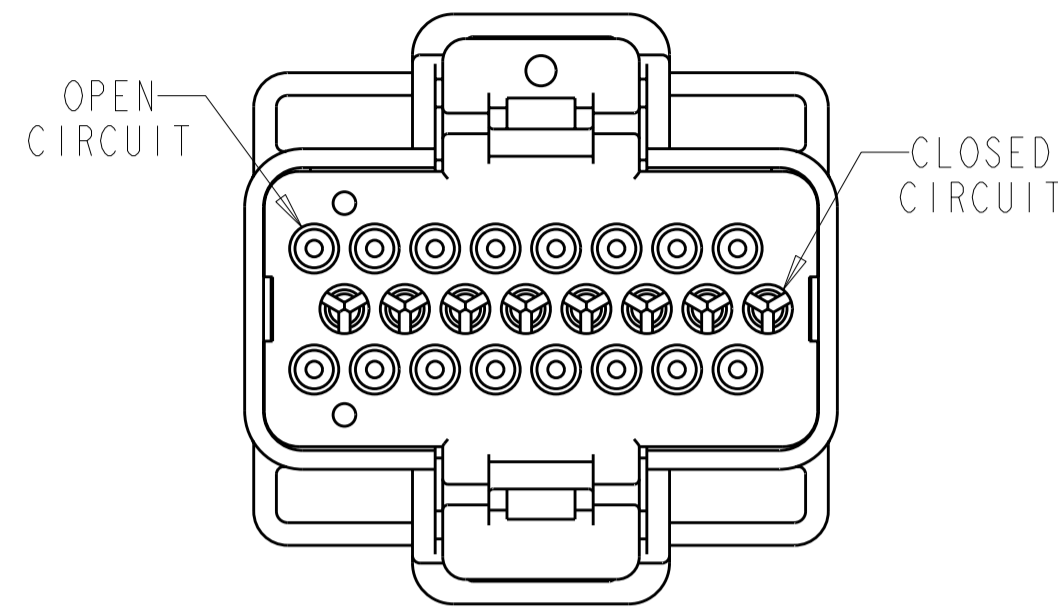
24 POSITION ASSY
SCALE 1.000



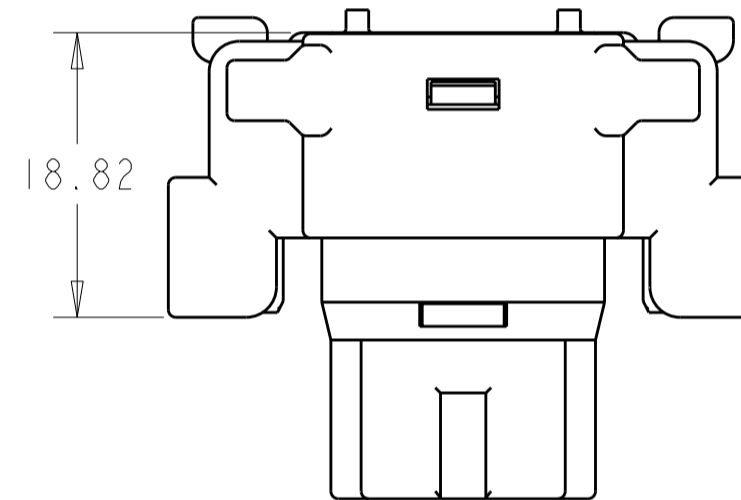
32 POSITION ASSY
SCALE 1.000



REVISIONS				
P	LTR	DESCRIPTION	DATE	APVD
F	I	REVISED PER ECR-08-006840	17MAR2008	JM
G		REVISED PER ECO-10-022116	29OCT2010	DD



1456315-1 DISPLAYED



Part Number	SIZE	Complexity Matrix Position Number																																Not Applicable				
		1	2	3	4	5	6	7	8	9	10	11	12	13	14	15	16	17	18	19	20	21	22	23	24	25	26	27	28	29	30	31	32	Closed Position				
1456315-1	24																										X	X	X	X	X	X	X	X	X	X	X	X
1456315-2	24																											X	X	X	X	X	X	X	X	X	X	X
1456315-3	24																										X	X	X	X	X	X	X	X	X	X	X	X
1456315-4	24																										X	X	X	X	X	X	X	X	X	X	X	X
1456315-5	32																																					
1456315-6	32																																					
1456315-7	24																									X	X	X	X	X	X	X	X	X	X	X	X	X
1456315-8	24																									X	X	X	X	X	X	X	X	X	X	X	X	X
1456315-9	24																									X	X	X	X	X	X	X	X	X	X	X	X	X
1-1456315-0	24																									X	X	X	X	X	X	X	X	X	X	X	X	X
1-1456315-1	24																									X	X	X	X	X	X	X	X	X	X	X	X	X
1-1456315-2	24																									X	X	X	X	X	X	X	X	X	X	X	X	X
1-1456315-3	24																									X	X	X	X	X	X	X	X	X	X	X	X	X
1-1456315-4	24																									X	X	X	X	X	X	X	X	X	X	X	X	X
1-1456315-5	24																									X	X	X	X	X	X	X	X	X	X	X	X	X
1-1456315-6	24																									X	X	X	X	X	X	X	X	X	X	X	X	X
1-1456315-7	24																									X	X	X	X	X	X	X	X	X	X	X	X	X
1-1456315-8	24																									X	X	X	X	X	X	X	X	X	X	X	X	X
1-1456315-9	24																									X	X	X	X	X	X	X	X	X	X	X	X	X
2-1456315-0	32																																					

Recommended Terminal	
TE P/N	AWG
0-1437284-9	20-18
1-1437284-0	16

DIMENSIONS: mm		TOLERANCES UNLESS OTHERWISE SPECIFIED:		DWN	R. HARDISON	08 JUN 2001	Tyco Electronics	
		0 PLC	±1.0	CHK	R. HARDISON	08 JUN 2001	Harrisburg, PA 17105-3608	
MATERIAL		1 PLC	±0.3	APVD	R. HARDISON	08 JUN 2001	NAME	
		2 PLC	±0.15	PRODUCT SPEC		SOCKET ASSY, FOR 1.0mm MIP CONN SYS		RESTRICTED TO
		3 PLC	±0.070	APPLICATION SPEC		SELECTIVELY LOADED STRAIN RELIEF		
		4 PLC	±0.050	WEIGHT		SIEMENS AUTOMOTIVE		
		ANGLES	±2°	CAGE CODE		SIZE		
		FINISH		DRAWING NO		DRAWING NO		
				CUSTOMER DRAWING		A200779		
				SCALE		SHEET		
				2.1		1 OF 1		
						REV		
						G		