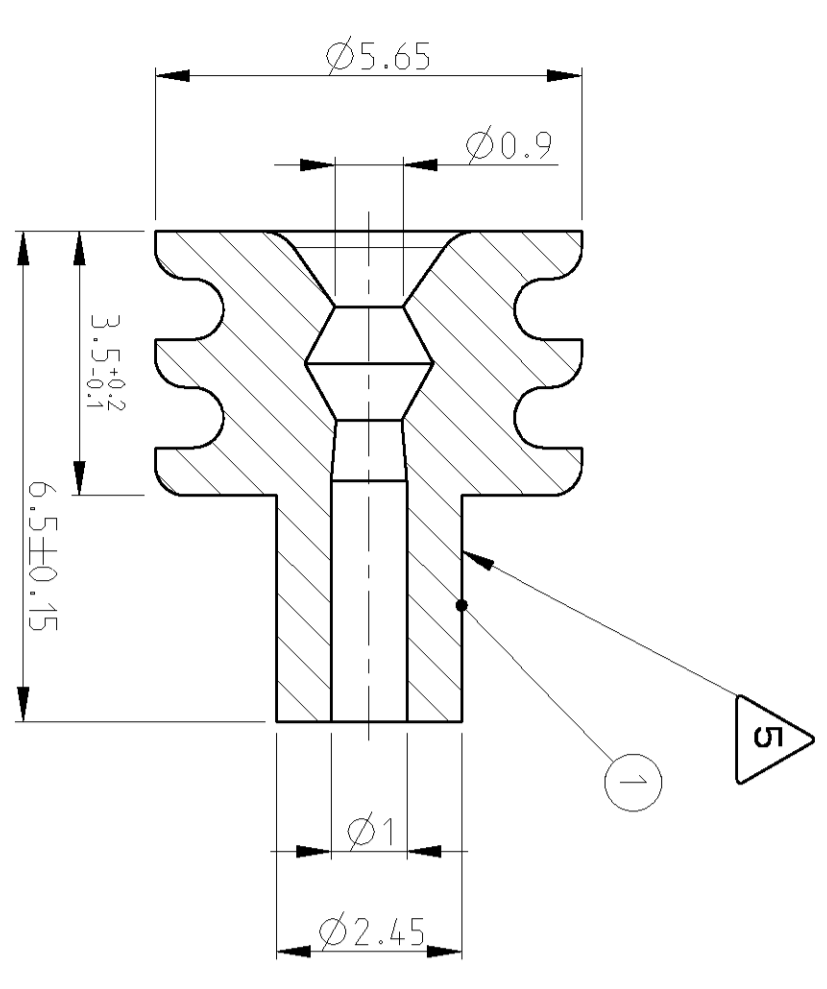
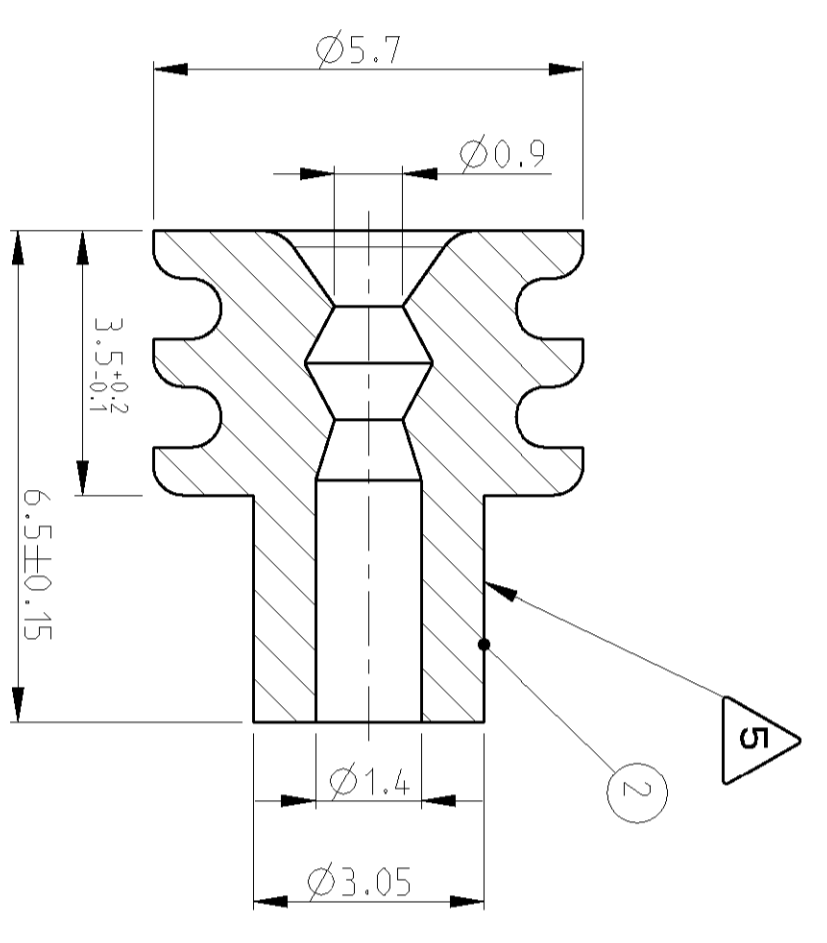


LOC	DIST	REV	DESCRIPTION	DATE	DMN	APVD
A1	-	P	LTR			
		A	EG00-2668-01	10SEP2001	SS	JE
		A1	EG00-2859-01	20SEP2001	SS	JE



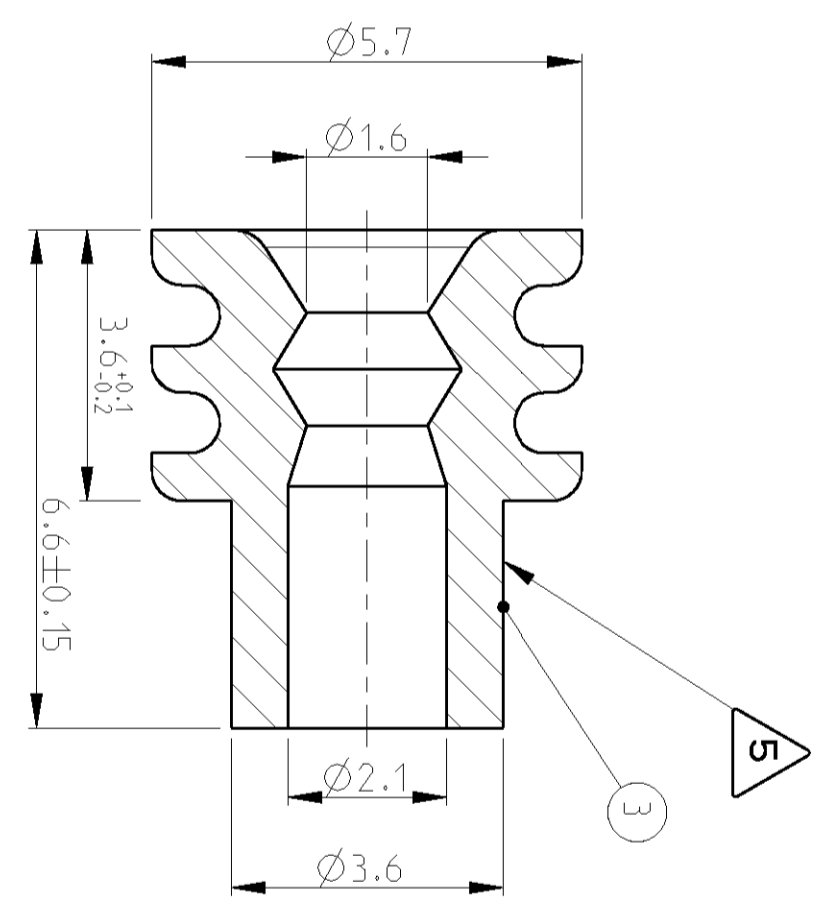
GROMMET, BLACK, 0.22 - 0.35mm ² USED FOR INSULATION DIAMETER 1.2-1.4mm	
T&B UNIVERSAL PART No	106099
TYCO PART No	1-1437713-1
T&B FORD PART No	-
FORD PART No	91AG-10C930-AA
TYCO PART No	1-1437714-1

A1 1 OBSOLETE, SUPERSEDED BY 1-1437713-1



GROMMET, RED, 0.5 - 1.0mm ² USED FOR INSULATION DIAMETER 1.4 - 2.1mm	
T&B UNIVERSAL PART No	106100
TYCO PART No	1-1437713-2
T&B FORD PART No	-
FORD PART No	89FG-10C930-AA
TYCO PART No	1-1437708-5

A1 2 OBSOLETE, SUPERSEDED BY 1-1437713-2

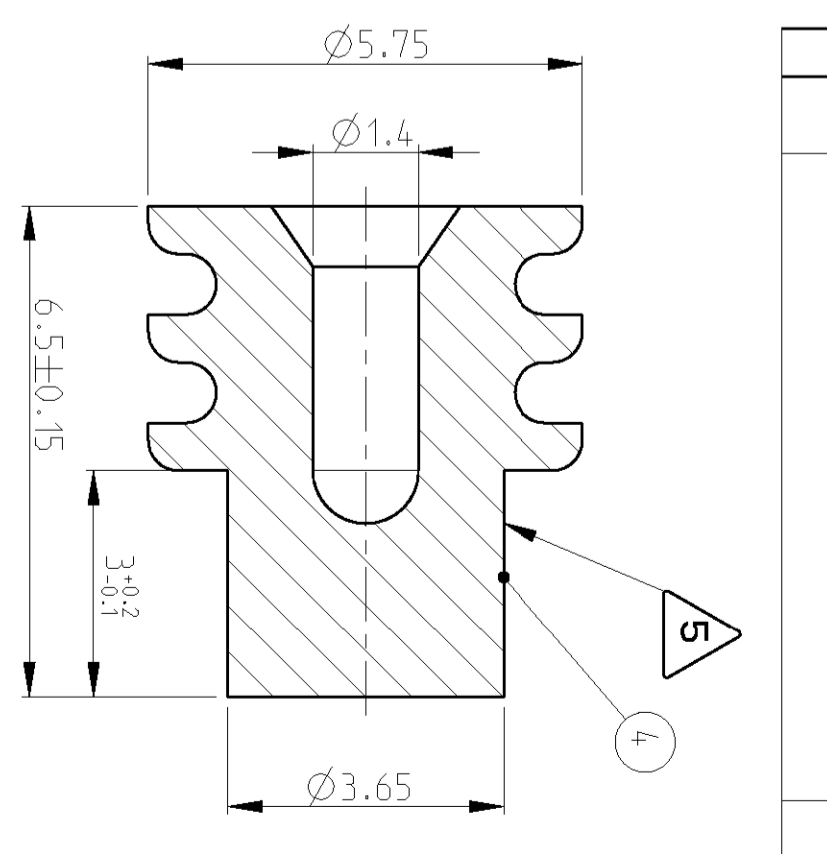


GROMMET, BLUE, 1.5mm ² USED FOR INSULATION DIAMETER 2.2 - 2.4mm	
T&B UNIVERSAL PART No	106101
TYCO PART No	1-1437713-3
T&B FORD PART No	-
FORD PART No	89FG-10C930-BA
TYCO PART No	1-1437708-7

A1 3 OBSOLETE, SUPERSEDED BY 1-1437713-3

BLIND PLUG, WHITE	
T&B UNIVERSAL PART No	106102
TYCO PART No	1-1437713-4
T&B FORD PART No	-
FORD PART No	89FG-10C930-AAA
TYCO PART No	1-1437708-8

A1 4 OBSOLETE, SUPERSEDED BY 1-1437713-4



MATERIAL: SILICON, SELFGREASING/
 Werkstoff: Silikon, selbstschmierend

TENSILE STRENGTH: MIN. 6.0N/mm² /DIN 53504 S-2
 Zugfestigkeit: min. 6.0 N/mm² /DIN 53504 S-2

ELONGATION: MIN. 375% /DIN 53504 S-2
 Reißdehnung: min. 375% /DIN 53504 S-2

HARDNESS: 50+/-5 SHORE A /DIN 53505 MEASURED AT PROOF PLANES
 Härte: 50+/-5 Shore A /DIN 53505 gemessen an Prüfplatten

SEALING RIBS WITHOUT SINK MARKS AND NOTCHES
 Dichtrippen ohne Einfallstellen und Kerben

INJECTION POINT PERMITTED
 Anspritzung zulässig

TYCO PART NO/ TYCO Teile Nr	WEIGHT/ Gewicht	COLOUR/ Farbe	DESCRIPTION/ Beschreibung	POS/ Pos
1-1437713-1	0.0815g	BLACK/schwarz	GROMMET/ Dichtung 0.22-0.35mm ²	1
1-1437713-2	0.0894g	RED/rot	GROMMET/ Dichtung 0.50-1.00mm ²	2
1-1437713-3	0.0854g	BLUE/blau	GROMMET/ Dichtung 1.5mm ²	3
1-1437713-4	0.1044g	WHITE/weiß	BLIND PLUG/ Blindstopfen	4

A1

DIMENSIONS: (MM)		TOLERANCES UNLESS OTHERWISE SPECIFIED:	
0 PLG	±0.1	1 PLG	±0.1
2 PLG	±0.1	3 PLG	±0.1
4 PLG	±0.1	ANGLES	°
MATERIAL		FINISH	
-		-	

DMN	S. Storck	10SEP2001	NAME	tyco
CHK	J. Evans	20SEP2001	COMPANY	tyco
APPD	J. Evans	20SEP2001	ADDRESS	tyco Electronics ANP GmbH
PRODUCT SPEC			ADDRESS	D - 64625 Bensheim
APPLICATION SPEC			SIZE	A2
WEIGHT			CAGE CODE	00779
			DRAWING NO	1418068
			SCALE	5:1
			SHEET	1
			OF	1
			REV	A1