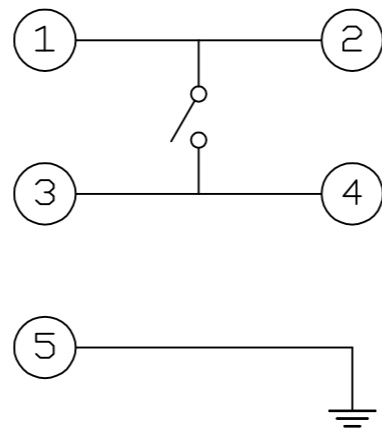
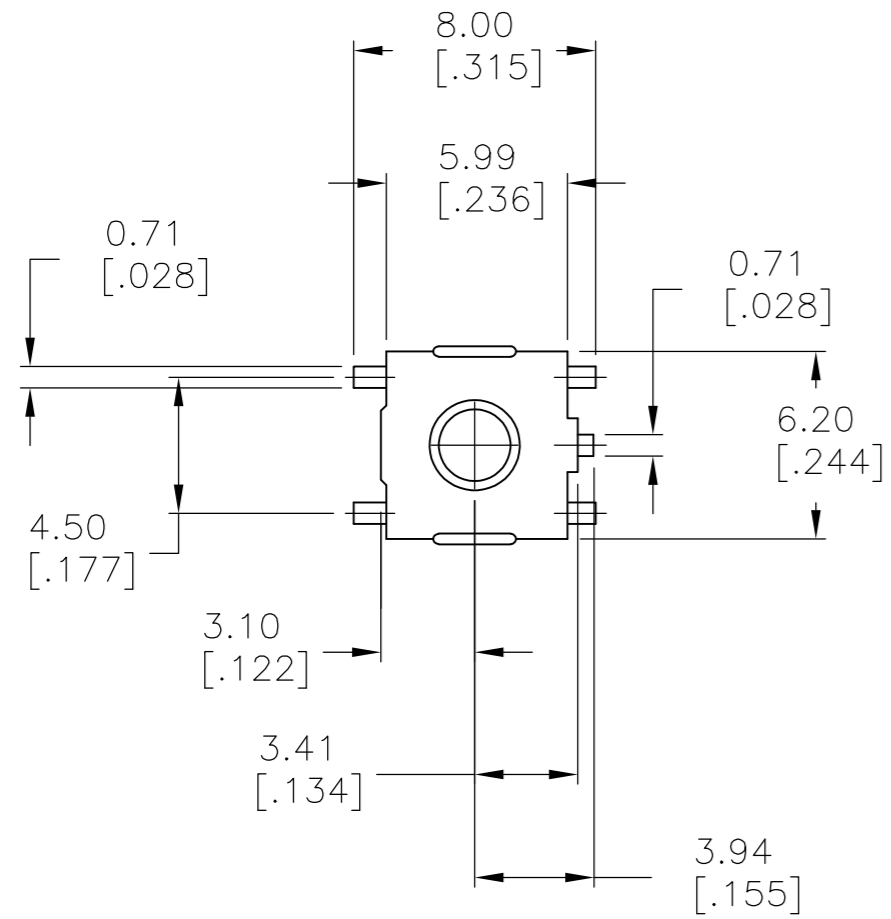
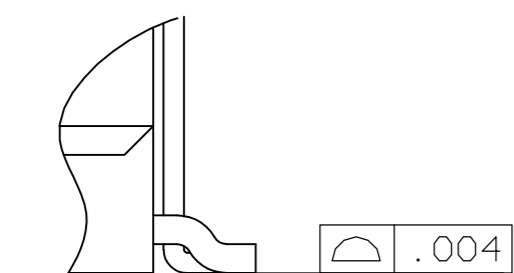
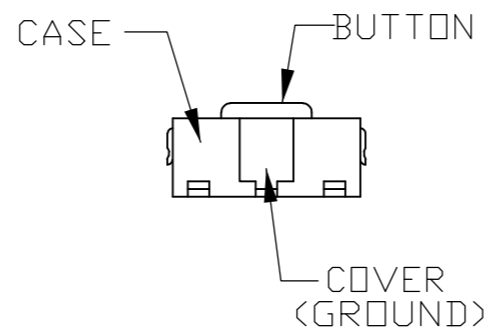
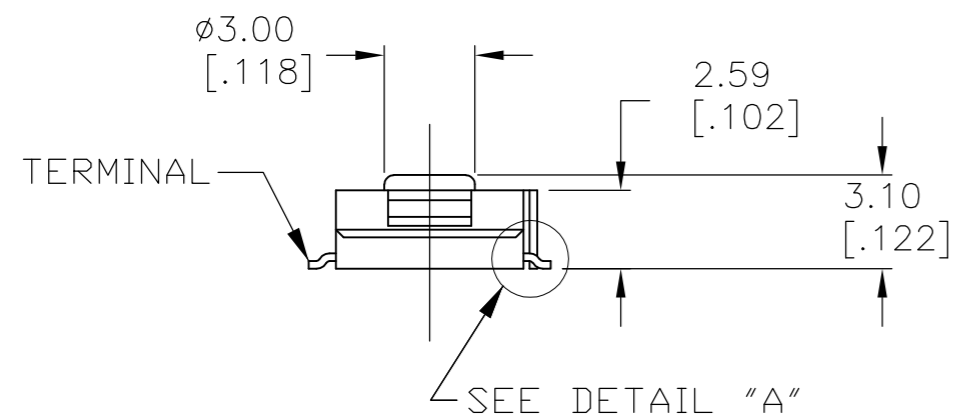


THIS DRAWING IS UNPUBLISHED. RELEASED FOR PUBLICATION  
 © COPYRIGHT - By - ALL RIGHTS RESERVED.

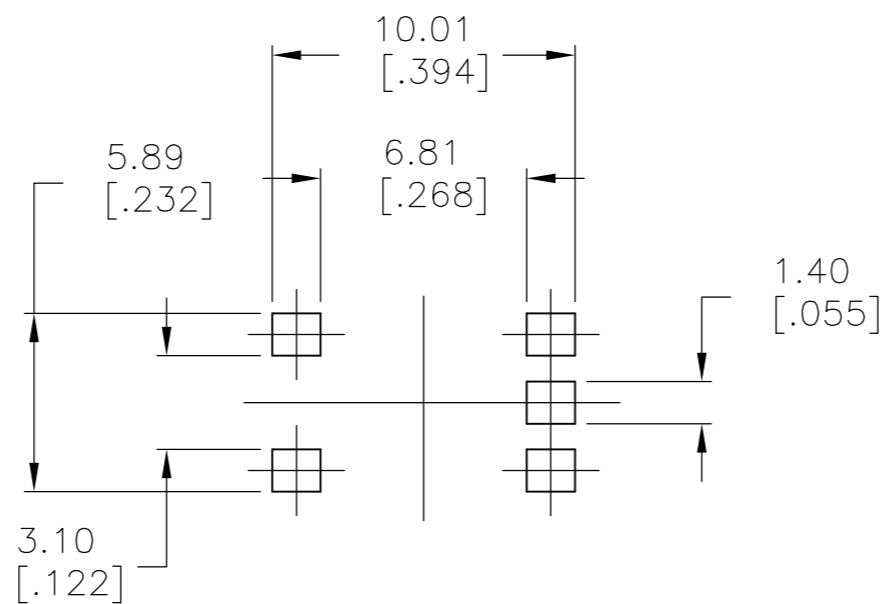
LOC		DIST		REVISIONS			
P	LTR	DESCRIPTION	DATE	DWN	APVD		
AD	00	D2	REVISED PER ECO-11-004587	11MAR11	RK	HMR	



CIRCUIT DIAGRAM



DETAIL "A"  
SCALE 15:1



P.C.B. FOOTPRINT

SPECIFICATIONS:

CASE: PPS, 94V0, BLACK.  
 COVER: COPPER ALLOY-TIN PLATE.  
 ACTUATOR BUTTON: SEE TABLE, COLOR.  
 MOVING CONTACT: COPPER ALLOY, SILVER FINISH.  
 FIXED CONTACT/TERMINAL: COPPER ALLOY, SILVER FINISH.

**ELECTRICAL:**  
 MAX CONTACT RATING: 50MILLIAMPS@24V DC  
 MIN CONTACT RATING: 10MICROAMPS@1V DC  
 CONTACT RESISTANCE: 100 MILLIOHMS MAX.  
 INSULATION RESISTANCE: 100 MEGOHMS MIN. @ 100 VDC.  
 DIELECTRIC STRENGTH: 500 VAC 50/60 Hz FOR 1 MINUTE  
 LIFE EXPECTANCY: 100,000 CYCLES.

**MECHANICAL:**  
 ACTUATION FORCE: SEE CHART.  
 ACTUATION TRAVEL: 0.25 +0.20/-0.10 [.010 +.008/-0.004]

**ENVIRONMENTAL:**  
 OPERATING TEMPERATURE: -35°C TO +85°C  
 STORAGE TEMPERATURE: -35°C TO +85°C  
 SOLDER HEAT RESISTANCE PER 109-201, COND B.

**SOLDERABILITY:**  
 SPECIFICATION EIA-364-52, CLASS 1, CATEGORY 2

NOTES:

- ALL MATERIALS AND FINISHES SHALL COMPLY WITH EU DIRECTIVE 2002/95/EC OF 27JAN2003 (ROHS)
- TAPE AND REEL PACKAGING PER EIA-481

PART NUMBER	PART NUMBER	ACTUATOR MATERIAL	ACTUATOR BUTTON COLOR	ACTUATION FORCE	PACKAGING
1-1437565-6	FSM1LP	PPA UL94HB	BLACK	160 ±50 gm.	BULK
1-1437565-9	FSM1LPTR	PPA UL94HB	BLACK	160 ±50 gm.	TAPE & REEL
1-1437565-7	FSM1LPA	PPS UL94V-0	BROWN	260 ±50 gm.	BULK
1-1437565-8	FSM1LPATR	PPS UL94V-0	BROWN	260 ±50 gm.	TAPE & REEL

THIS DRAWING IS A CONTROLLED DOCUMENT.		DWN	13MAR2007	<b>TE</b> TE Connectivity	
DIMENSIONS: mm [INCHES]		CHK	20MAR2007		
TOLERANCES UNLESS OTHERWISE SPECIFIED:		M.SARVER		NAME TACTILE SWITCH FSM1LP	
0 PLC ± -		APVD			
1 PLC ± -		M.SARVER		SIZE	
2 PLC ± 0.30[.012]		PRODUCT SPEC		CAGE CODE	
3 PLC ± -		APPLICATION SPEC		DRAWING NO	
4 PLC ± -		WEIGHT		RESTRICTED TO	
ANGLES ± -		FINISH		SCALE	
MATERIAL		CUSTOMER DRAWING		SHEET	
		A2		1 OF 1	
		00779		REV	
		C=1-1437565-8		D2	