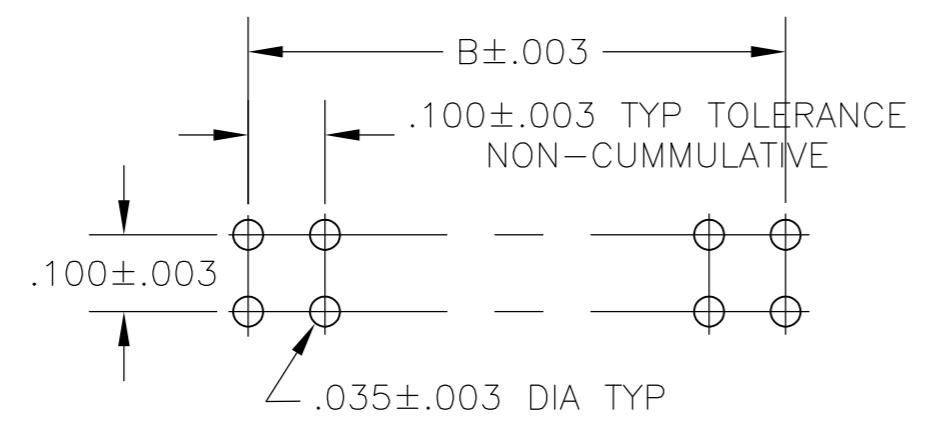
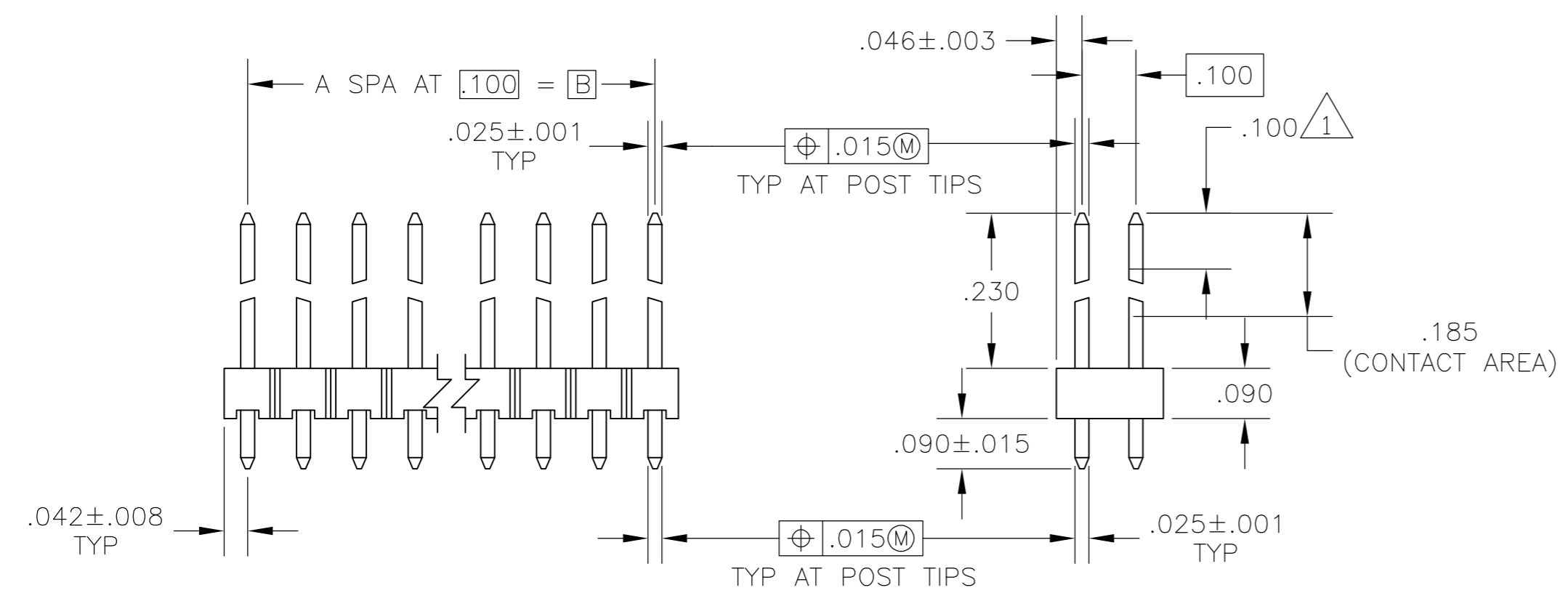
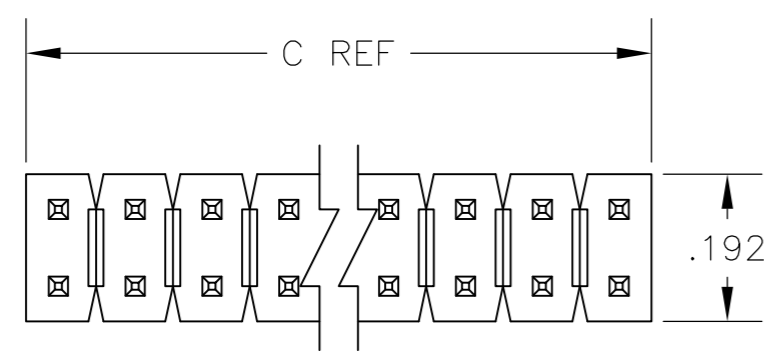


THIS DRAWING IS UNPUBLISHED. RELEASED FOR PUBLICATION
 © COPYRIGHT - By - ALL RIGHTS RESERVED.

LOC		DIST		REVISIONS				
P	LTR	DESCRIPTION			DATE	DWN	APVD	
	G2	REVISED PER ECO-11-004587			11MAR11	RK	HMR	



RECOMMENDED HOLE LAYOUT

- 1 POINT OF MEASUREMENT FOR PLATING THICKNESS
- 2 ASSEMBLIES MAY BE BROKEN TO THE DESIRED NUMBER OF POSITIONS
- 3 TRUE POSITION TOLERANCE OF THE POST TIPS APPLIES WHEN THE HEADERS ARE HELD FLAT AGAINST THE PRINTED CIRCUIT BOARD
- 4 .000030 GOLD ON THE CONTACT AREA, .000100-.000200 MATTE TIN-LEAD ON THE SOLDER TAIL, ALL OVER .000050 NICKEL
- 5 OBSOLETE PARTS: OBSOLETE CIS STREAMLINING PER D.RENAUD/D.SINISI

REV	DESCRIPTION	DATE	DWN	APVD
3.984	3.900	39	80	4 -103783- 0
3.884	3.800	38	78	3 - -9
3.784	3.700	37	76	3 - -8
3.684	3.600	36	74	3 - -7
3.584	3.500	35	72	3 - -6
3.484	3.400	34	70	3 - -5
3.284	3.300	33	68	3 - -4
3.284	3.200	32	66	3 - -3
3.184	3.100	31	64	3 - -2
3.084	3.000	30	62	3 - -1
2.984	2.900	29	60	3 - -0
2.884	2.800	28	58	2 - -9
2.784	2.700	27	56	2 - -8
2.684	2.600	26	54	2 - -7
2.584	2.500	25	52	2 - -6
2.484	2.400	24	50	2 - -5
2.384	2.300	23	48	2 - -4
2.284	2.200	22	46	2 - -3
2.184	2.100	21	44	2 - -2
2.084	2.000	20	42	2 - -1
1.984	1.900	19	40	2 - -0
1.884	1.800	18	38	1 - -9
1.784	1.700	17	36	1 - -8
1.684	1.600	16	34	1 - -7
1.584	1.500	15	32	1 - -6
1.484	1.400	14	30	1 - -5
1.384	1.300	13	28	1 - -4
1.284	1.200	12	26	1 - -3
1.184	1.100	11	24	1 - -2
1.084	1.000	10	22	1 - -1
.984	.900	9	20	1 - -0
.884	.800	8	18	-9
.784	.700	7	16	-8
.684	.600	6	14	-7
.584	.500	5	12	-6
.484	.400	4	10	-5
.384	.300	3	8	-4
.284	.200	2	6	-3
.184	.100	1	4	-2
.084	-	-	2	103783- 1
C	B	A	NO OF POS	ASSEMBLY PART NUMBER

THIS DRAWING IS A CONTROLLED DOCUMENT.

DWN: L.D.RINGLEY 7-25-85
 CHK: R.ELICKER 7-25-85
 APVD: R.ELICKER 7-25-85

TE Connectivity

ASSEMBLY, MOD II, HEADER, BREAKAWAY, DOUBLE ROW, .100X .100 CL, WITH .025 SQUARE POSTS

SIZE: A2 CAGE CODE: 00779 DRAWING NO: 103783 RESTRICTED TO: -

SCALE: 4:1 SHEET: 1 of 1 REV: G2

MATERIAL: HOUSING-FLAME RETARDANT THERMOPLASTIC COLOR-BLACK POSTS: BRASS

FINISH: POSTS 4