

POSITIONS/ CONTACTS	A		B	
	INCH	MM	INCH	MM
02/02	0.100	2.54	0.200	5.08
03/03	0.200	5.08	0.300	7.62
04/04	0.300	7.62	0.400	10.16
05/05	0.400	10.16	0.500	12.70
06/06	0.500	12.70	0.600	15.24
07/07	0.600	15.24	0.700	17.78
08/08	0.700	17.78	0.800	20.32
09/09	0.800	20.32	0.900	22.86
10/10	0.900	22.86	1.000	25.40
11/11	1.000	25.40	1.100	27.94
12/12	1.100	27.94	1.200	30.48
13/13	1.200	30.48	1.300	33.02
14/14	1.300	33.02	1.400	35.56
15/15	1.400	35.56	1.500	38.10
16/16	1.500	38.10	1.600	40.64
17/17	1.600	40.64	1.700	43.18
18/18	1.700	43.18	1.800	45.72
19/19	1.800	45.72	1.900	48.26
20/20	1.900	48.26	2.000	50.80
21/21	2.000	50.80	2.100	53.34
22/22	2.100	53.34	2.200	55.88
23/23	2.200	55.88	2.300	58.42
24/24	2.300	58.42	2.400	60.96
25/25	2.400	60.96	2.500	63.50
26/26	2.500	63.50	2.600	66.04
27/27	2.600	66.04	2.700	68.58

PART NUMBER CODING

xPxCxx1KFXx-M81RC

TERMINATION TYPES

C = SMT, SINGLE ROW, PIN 1 LEFT
D = SMT, SINGLE ROW, PIN 1 RIGHT

NUMBER OF POSITIONS

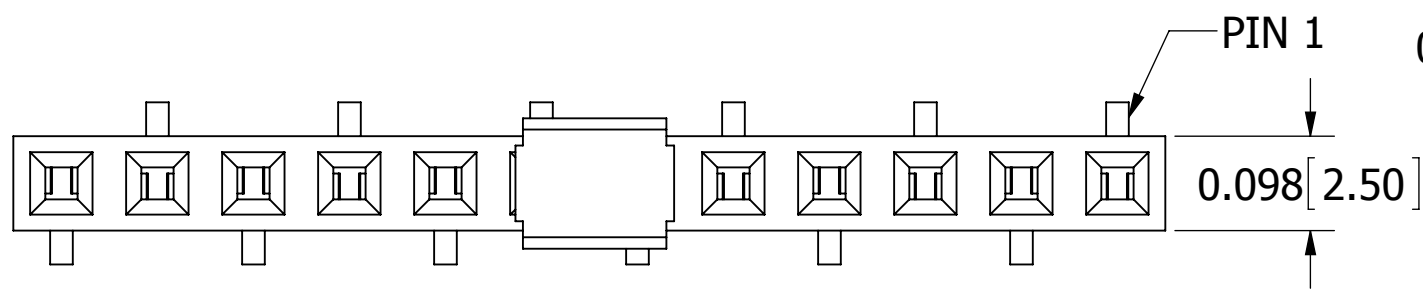
(CONTACTS PER ROW, 02 THRU 27)

PLATING

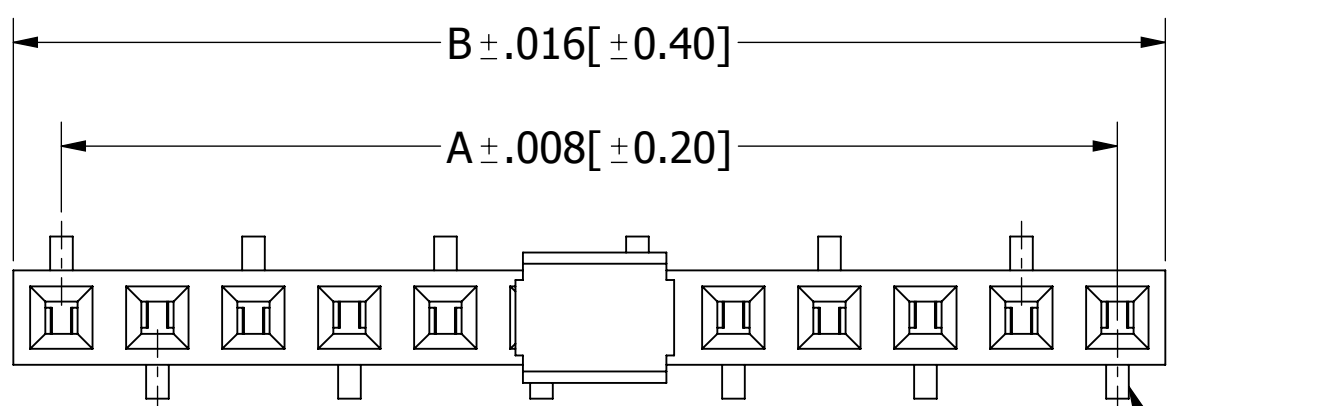
(.000030" ~ .000050" NICKEL UNDERPLATED)
P = GOLD FLASH OVERALL
T = TIN OVERALL

INSULATOR MATERIAL

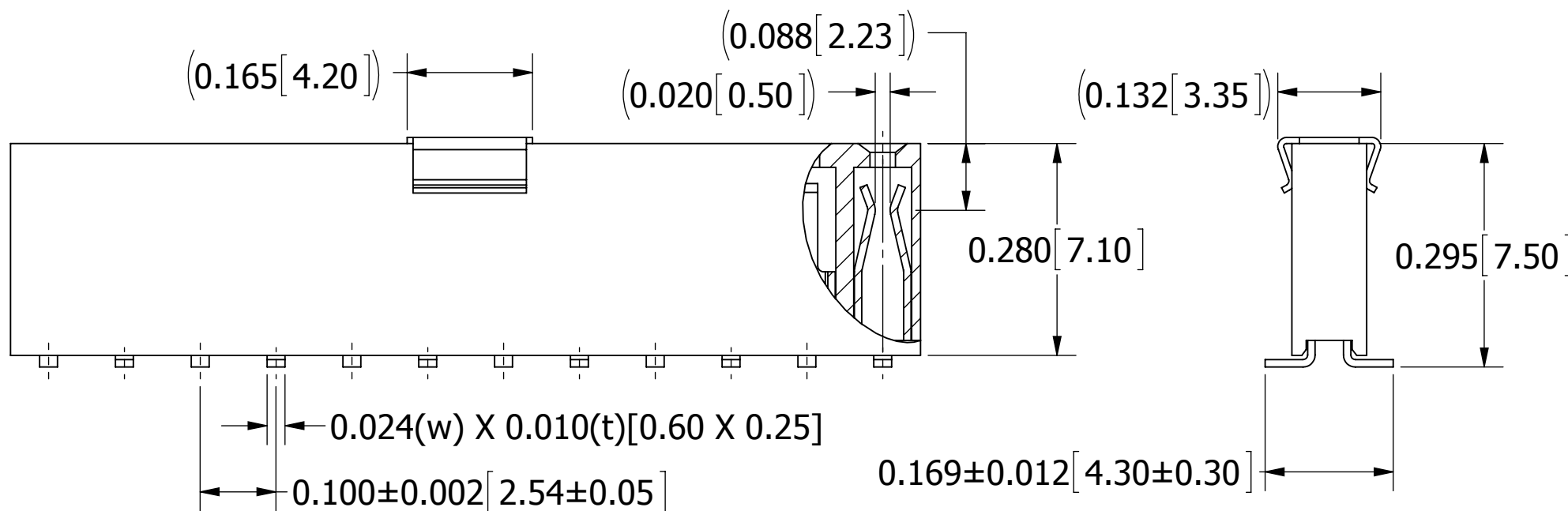
N = NYLON 6T
OPERATING TEMPERATURE: -40°C TO +105°C
PROCESSING TEMP.: WAVE/MANUAL SOLDERING
L = LCP
OPERATING TEMPERATURE: -40°C TO +125°C
PROCESSING TEMP.: 260°C MAX FOR 10 SECONDS



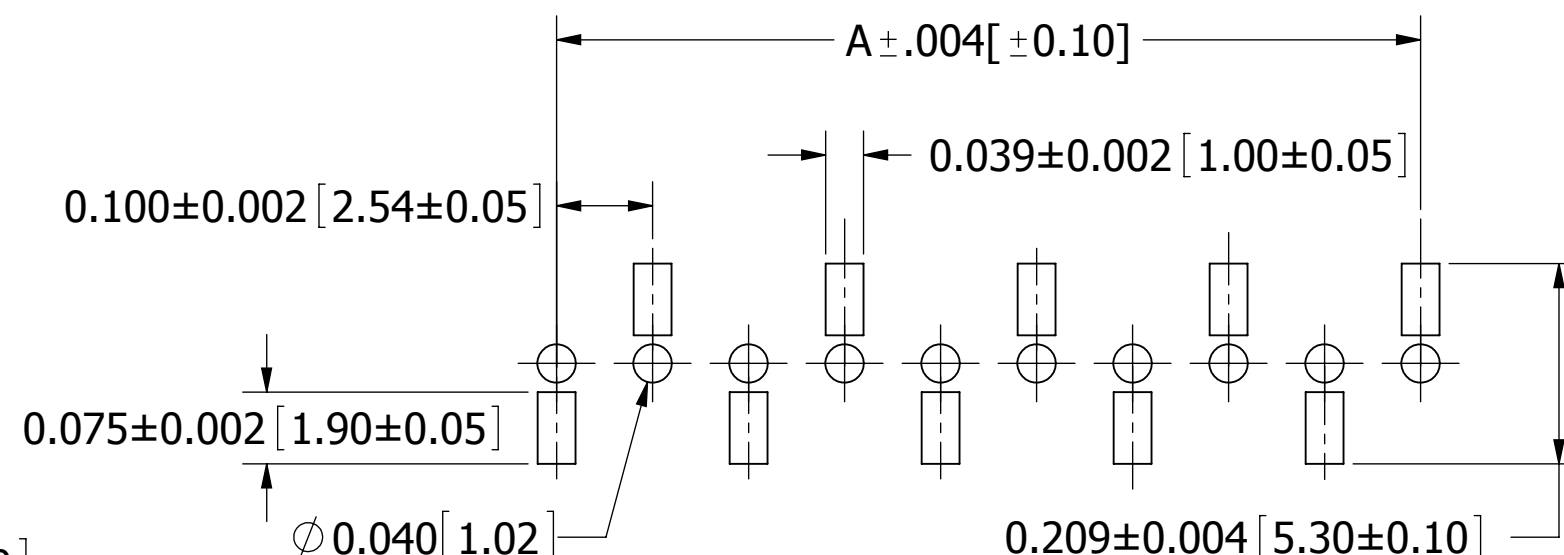
xPxCxx1KFxD-M81RC



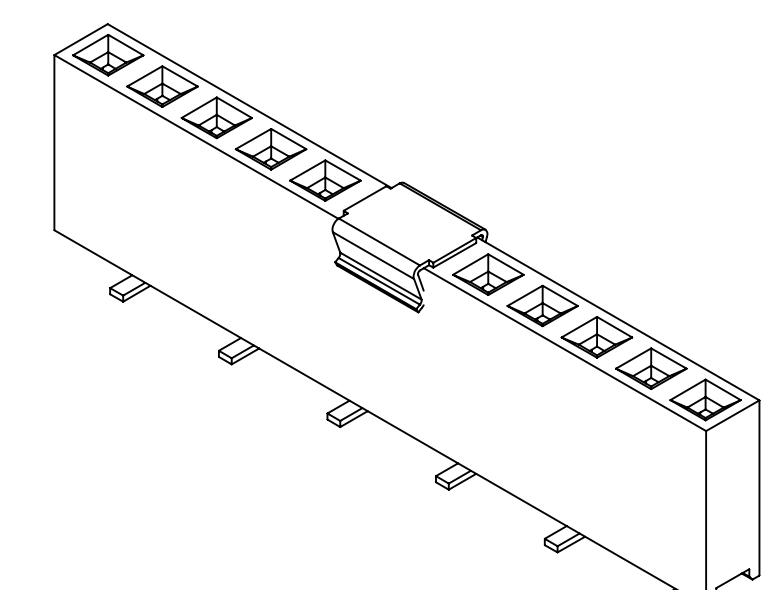
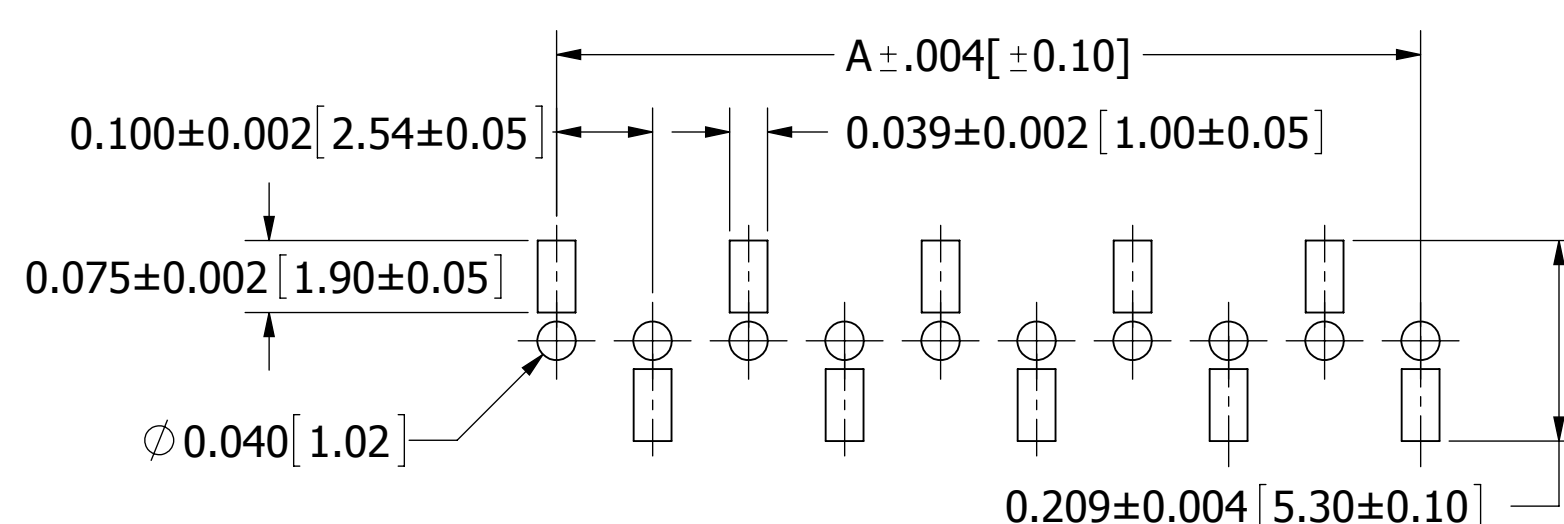
xPxCxx1KFxC-M81RC



**RECOMMENDED PCB LAYOUT
xPxCxx1KFxD-M81RC**



**RECOMMENDED PCB LAYOUT
xPxCxx1KFxC-M81RC**



- NOTES:
- INSULATOR MATERIAL: SEE PART NUMBER CODING, UL 94V-0
 - CONTACT MATERIAL: PHOSPHOR BRONZE
 - CONTACT PLATING: SEE PART NUMBER CODING
 - CURRENT RATING: 3 AMPS
 - VOLTAGE RATING: 250V AC/DC
 - INSULATOR RESISTANCE: 5000 MEGOHMS MIN
 - CONTACT RESISTANCE: 20 MILLIOHMS MAX
 - DIELECTRIC WITHSTANDING: 500 VAC
 - OPERATING TEMPERATURE: SEE PART NUMBER CODING
 - MAX PROCESSING TEMP.: SEE PART NUMBER CODING
 - MODIFICATION: WITH PICK AND PLACE CAP IN TAPE & REEL
 - MATES WITH SULLINS .100 [2.54] CONTACT CENTER MALE HEADER SERIES (.025 [0.64] SQUARE POSTS)



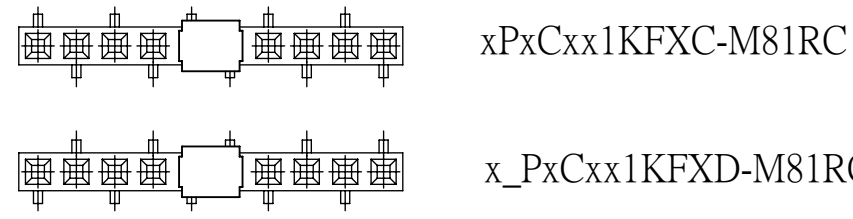
RoHS COMPLIANT

UNLESS OTHERWISE SPECIFIED:
DIMENSIONS ARE IN INCHES [MM]

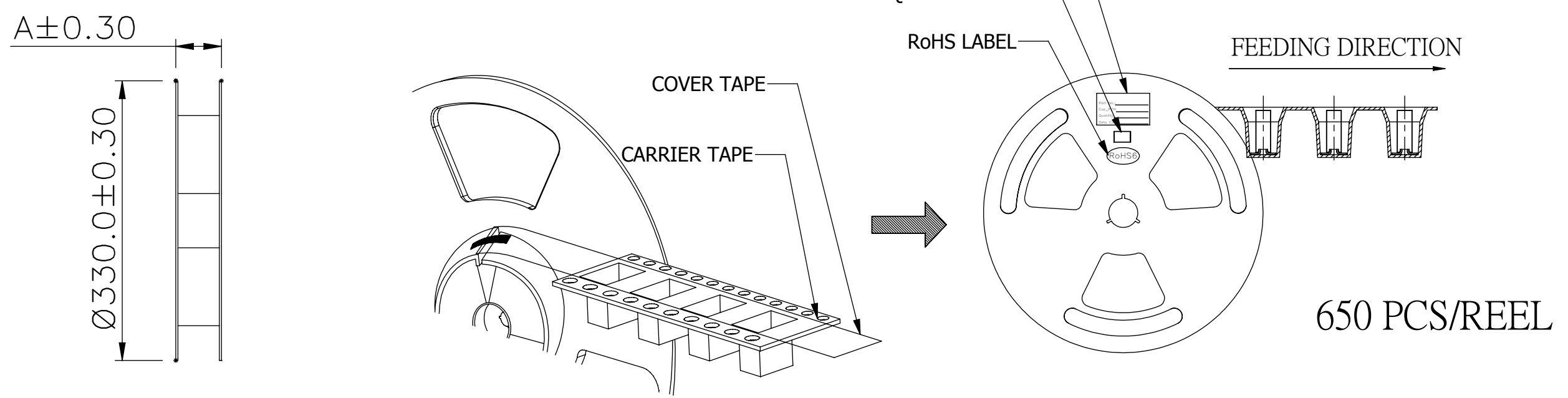
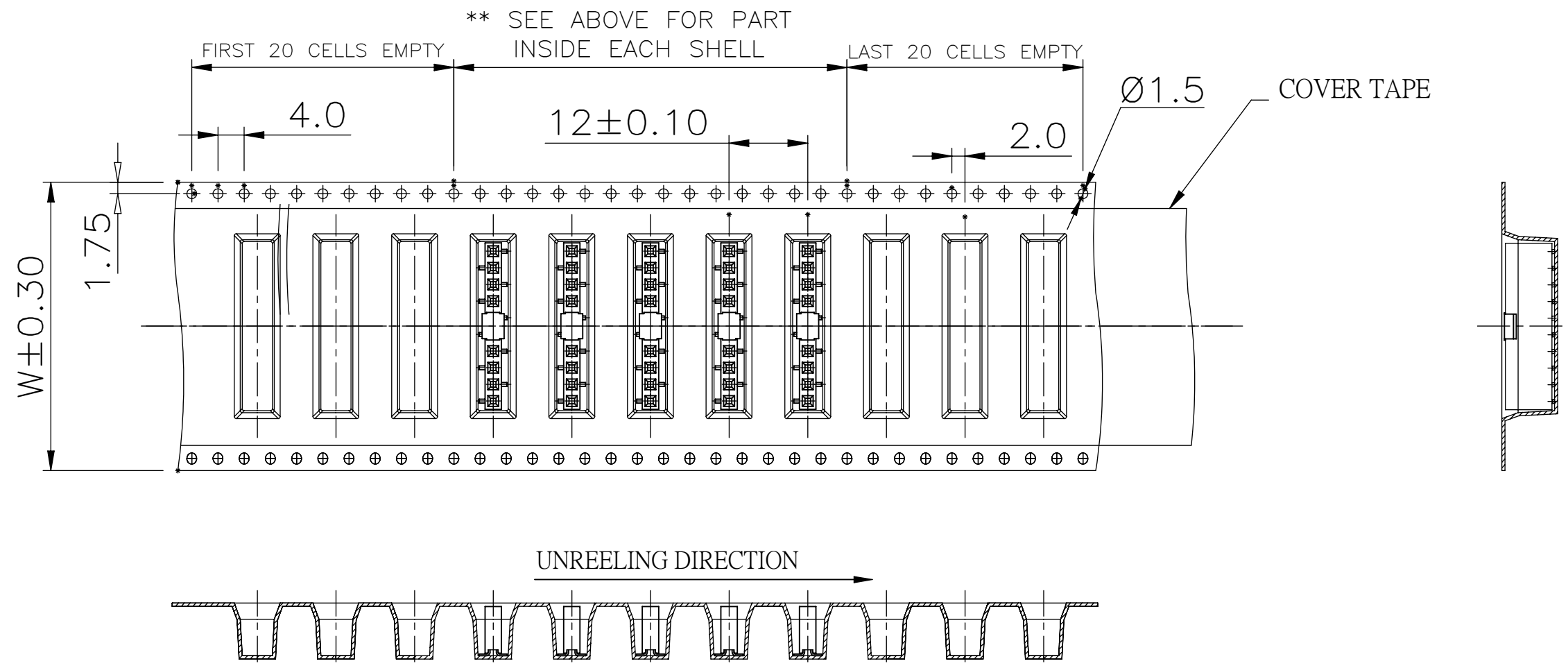
TOLERANCES:
ANGULAR: ± 5°
DECIMALS
X = ± .012 [.3]
.XX = ± .008 [.20]
.XXX = ± .006 [.15]

REV.	ECO. NO	DESCRIPTION	DATE	BY
B	2516	UPDATE CONTACT POINT DIST TO REF AND RENAME PART NUMBER CODING OF TERMINATION TYPES (WAS MOUNTING STYLES), AND ADD NOTE 12 MATING PARTS	02/14/2012	LH
C	2818	UPDATE PCB LAYOUT (TOP/BOTTOM ENTRY)	09/03/2013	LH
D	2829	ADD INSULATOR MATERIAL 'LCP' OPTION	12/10/2014	LH

DRAWN 12/24/2010 LH		
<small>THE INFORMATION HEREIN CONTAINS PROPRIETARY INFORMATION OF SULLINS ELECTRONICS AND IS NOT TO BE REPRODUCED, USED OR DISCLOSED TO OTHERS FOR ANY PURPOSE EXCEPT AS SPECIFICALLY AUTHORIZED IN WRITING BY AN OFFICER OF SULLINS ELECTRONICS.</small>		
DESCRIPTION HEADER FEMALE, 2.54mm CC, 1 ROW, SMT, T&R		PART NUMBER xPxCxx1KFXx-M81RC
SIZE	DWG. NO.	
C	11599	D
SCALE: 5:1		SHEET 1 OF 2



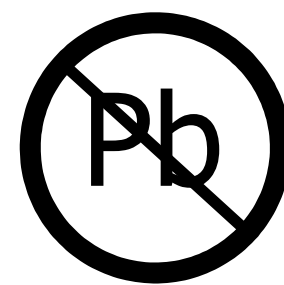
** T&R FOR P/N: xPxCxx1KFxx-M81RC
(10-POSITION AS SHOWN)
(SEE T&R DIM TABLE AND NOTE 1)



DIMENSION UNIT: mm

T & R DIMENSION TABLE		
POSITIONS/ CONTACTS	W	A
02/02	16	21
03/03 - 05/05	24	29
06/06 - 07/07	32	37
08/08 - 13/13	44	49
14/14 - 17/17	56	61
18/18 - 22/22	72	77
23/23 - 27/27	88	93

NOTE 1: WHEN THE CARRIER TAPE WIDTH IS EQUAL OR SMALLER THAN 24mm,
Ø 1.5mm CARRIER HOLES ARE LOCATED ON SINGLE SIDE OF CARRIER TAPE.



RoHS COMPLIANT

UNLESS OTHERWISE SPECIFIED:
DIMENSIONS ARE IN INCHES [MM]

TOLERANCES:
ANGULAR: ± 5°
DECIMALS
.X=± .012 [.3]
.XX=± .008 [.20]
.XXX=± .006 [.15]

DRAWN	DATE	NAME
LH	12/24/2010	LH

THE INFORMATION HEREIN CONTAINS PROPRIETARY INFORMATION OF SULLINS ELECTRONICS AND IS NOT TO BE REPRODUCED, USED OR DISCLOSED TO OTHERS FOR ANY PURPOSE EXCEPT AS SPECIFICALLY AUTHORIZED IN WRITING BY AN OFFICER OF SULLINS ELECTRONICS.

SULLINS
CONNECTOR SOLUTIONS

DESCRIPTION
HEADER FEMALE, 2.54mm CC, 1 ROW, SMT, T&R

PART NUMBER
xPxCxx1KFxx-M81RC

SIZE DWG. NO. REV
C 11599 D

SCALE: 5:1 SHEET 2 OF 2