

Sunon

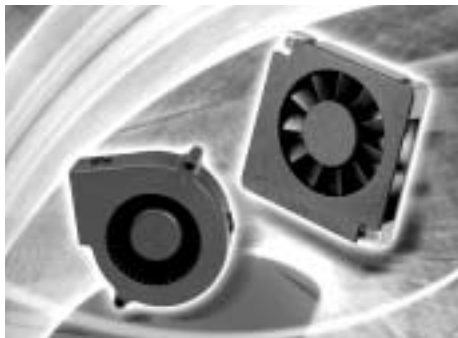
DC Brushless Blower



Fan and Blower

SUNON®

Model Numbering System



BLOWER

“ Invent & Innovate ”

GB

05

35

A

C

B

1

6

A

Y

BLOWER SERIES

- ★ MagLev System Design
 - B : MagLev Blower with P/N : MS
 - GB : Green Motor Blower•
- ★ Power Motor Design
 - PMB : Power Motor Blower
 - PGB : Power Green Motor Blower

VOLTAGE

05 : 5VDC 12 : 12VDC
 24 : 24VDC 48 : 48VDC

FRAME SIZE

02:25mm 03:30mm 35:35mm 04:40mm
 45:45mm 05:50mm 06:60mm 75:75mm
 97:97mm 12:120mm

FRAME MATERIAL

P : PBT Plastic
 A : Aluminium

Y:Cyclone Blower
 Blank :Square Blower

A: Auto Restart
 Blank: Without auto restart

MOTOR POLES

8: 8 Poles 6: 6 Poles
 Blank: 4 Poles

SPEED

X: SUPER 1: HIGH
 2: MIDDLE 3: LOW
 4: EXTRA LOW

BEARING SYSTEM

V: Vapo B: Ball

FRAME THICKNESS

C: 4.8mm E: 6mm
 D: 7-8mm F: 9-10mm
 H: 15mm K: 20mm
 N: 30mm L: 32mm
 Y: 33mm

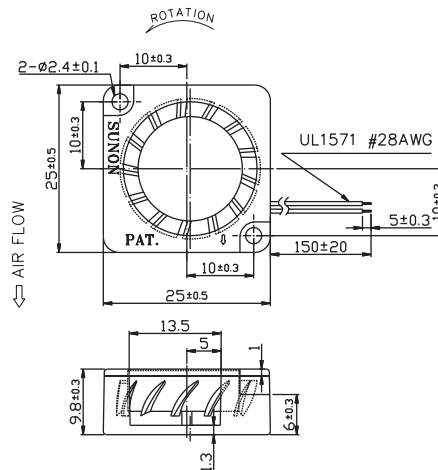
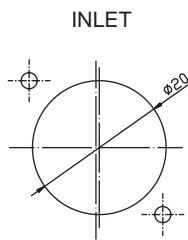
P/N

P/N suffixes have the following significance
 Example: B0503AFB1-8 P/N:MS

- V1 : New Blade
- (2) : Two ball bearing
- OC : Low voltage start-up & open collector type
- MS : MagLev System Design•
(GB series MagLev Design inside)
- F : 3rd wire with frequency generation waveform
- R : 3rd wire with rotation detector waveform
- P : for Projector
- BXX : Special circuit design
- CXX : Different dimensions, particular process or supplementary component parts

25x25x10 mm

Bearing Type :Ball bearing
Air Flow:0.45-1.0 CFM



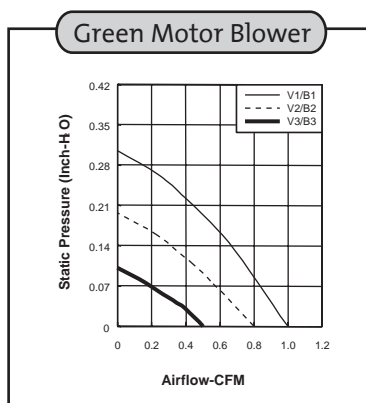
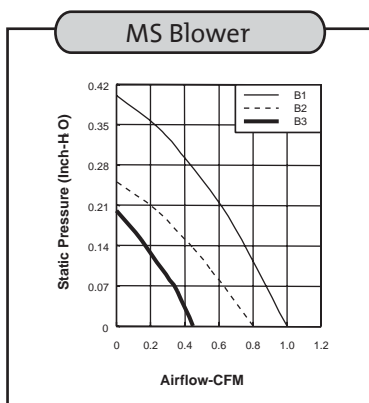
MS Blower

Model	P/N	Bearing ● VAPO ○ BALL ◎ 2BALL	Rating Voltage (VDC)	Power Current (AMP)	Power Consumption (WATTS)	Speed (RPM)	Air Flow (CFM)	Static Pressure (Inch-HzO)	Noise (dBA)	Weight (g)
B0502PFB1-8	MS	○	5	0.18	0.9	14000	1.0	0.40	37	6
B0502PFB2-8	MS	○	5	0.12	0.6	10000	0.8	0.25	30	6
B0502PFB3-8	MS	○	5	0.06	0.3	7000	0.45	0.20	19	6
B0502AFB1-8	MS	○	5	0.18	0.9	14000	1.0	0.40	37	9
B0502AFB2-8	MS	○	5	0.12	0.6	10000	0.8	0.25	30	9
B0502AFB3-8	MS	○	5	0.06	0.3	7000	0.45	0.20	19	9

Green Motor Blower

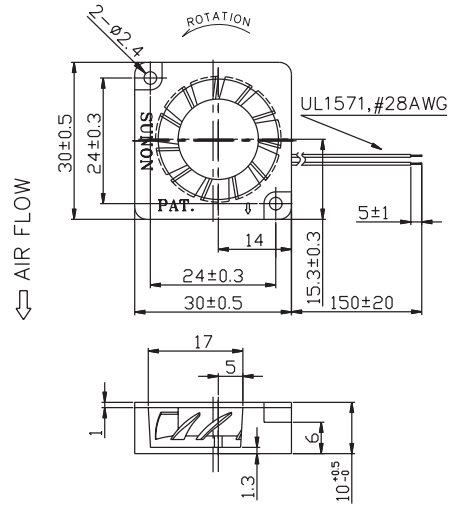
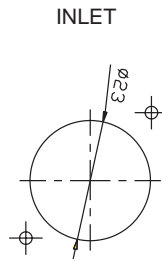
Model	P/N	Bearing ● VAPO ○ BALL ◎ 2BALL	Rating Voltage (VDC)	Power Current (AMP)	Power Consumption (WATTS)	Speed (RPM)	Air Flow (CFM)	Static Pressure (Inch-HzO)	Noise (dBA)	Weight (g)
GB0502AFV1-8		●	5	0.14	0.7	12000	1.0	0.30	32	9
GB0502AFV2-8		●	5	0.08	0.4	10000	0.8	0.20	26	9
GB0502AFV3-8		●	5	0.04	0.2	7000	0.5	0.10	18	9
GB0502AFB1-8		○	5	0.14	0.7	12000	1.0	0.30	33	9
GB0502AFB2-8		○	5	0.07	0.35	10000	0.8	0.20	27	9
GB0502AFB3-8		○	5	0.04	0.2	7000	0.5	0.10	19	9

Specifications subject to change without notice



30x30x10 mm

Bearing Type :Ball bearing
Air Flow:0.55-1.3 CFM



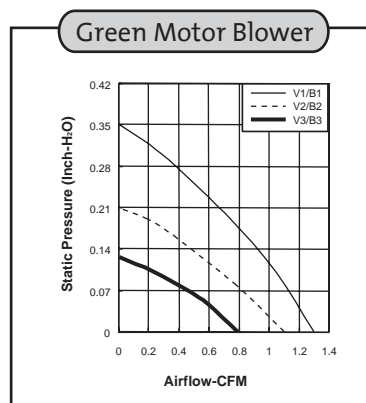
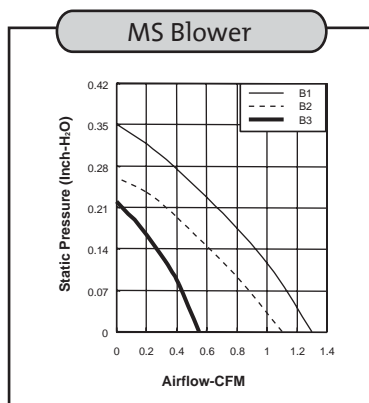
MS Blower

Model	P/N	Bearing	Rating Voltage (VDC)	Power Current (AMP)	Power Consumption (WATTS)	Speed (RPM)	Air Flow (CFM)	Static Pressure (Inch-H ₂ O)	Noise (dBA)	Weight (g)
B0503PFB1-8	MS	○ BALL	5	0.19	0.95	10000	1.3	0.35	36	9
B0503PFB2-8	MS	○ BALL	5	0.13	0.65	8000	1.1	0.26	30	9
B0503PFB3-8	MS	○ BALL	5	0.07	0.35	5500	0.55	0.22	17	9
B0503AFB1-8	MS	○ BALL	5	0.19	0.95	10000	1.3	0.35	36	10.5
B0503AFB2-8	MS	○ BALL	5	0.13	0.65	8000	1.1	0.26	30	10.5
B0503AFB3-8	MS	○ BALL	5	0.07	0.35	5500	0.55	0.22	17	10.5

Green Motor Blower

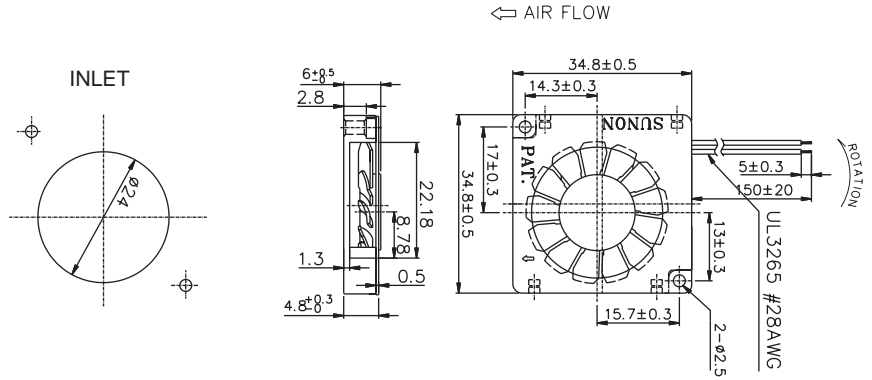
Model	P/N	Bearing	Rating Voltage (VDC)	Power Current (AMP)	Power Consumption (WATTS)	Speed (RPM)	Air Flow (CFM)	Static Pressure (Inch-H ₂ O)	Noise (dBA)	Weight (g)
GB0503AFV1-8		○ BALL	5	0.15	0.8	10000	1.3	0.35	31	10.5
GB0503AFV2-8		○ BALL	5	0.08	0.4	8000	1.1	0.21	24	10.5
GB0503AFV3-8		○ BALL	5	0.04	0.2	6000	0.8	0.12	14	10.5
GB0503AFB1-8		○ BALL	5	0.15	0.8	10000	1.3	0.35	32	10.5
GB0503AFB2-8		○ BALL	5	0.08	0.4	8000	1.1	0.21	25	10.5
GB0503AFB3-8		○ BALL	5	0.04	0.2	6000	0.8	0.12	15	10.5

Specifications subject to change without notice



35x35x4.8 mm

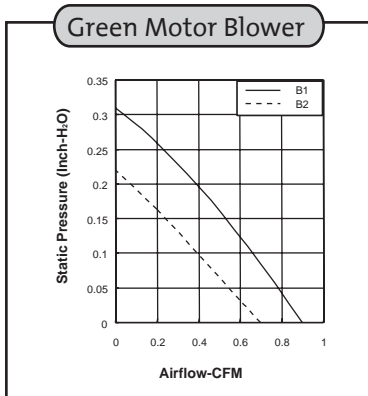
Bearing Type :Ball bearing
Air Flow:0.7-0.9 CFM



Green Motor Blower

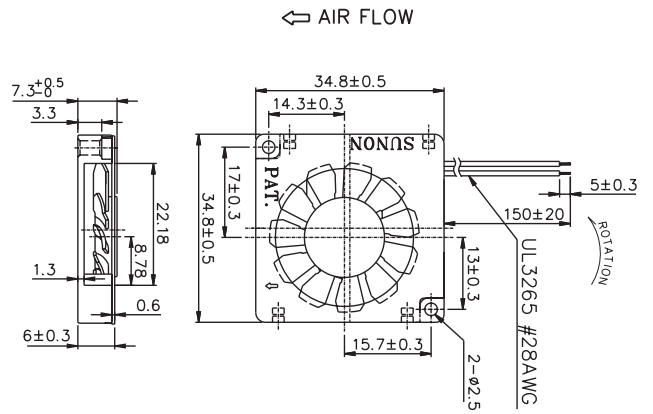
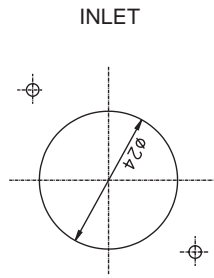
Model	P/N	Bearing	Rating Voltage (VDC)	Power Current (AMP)	Power Consumption (WATTS)	Speed (RPM)	Air Flow (CFM)	Static Pressure (Inch-H ₂ O)	Noise (dBA)	Weight (g)
GB0535ACB1-8		● VAPO ○ BALL ◎ 2BALL	5	0.16	0.8	9500	0.9	0.31	31	10
GB0535ACB2-8		○	5	0.07	0.35	7500	0.7	0.22	26	10

Specifications subject to change without notice



35x35x6 mm

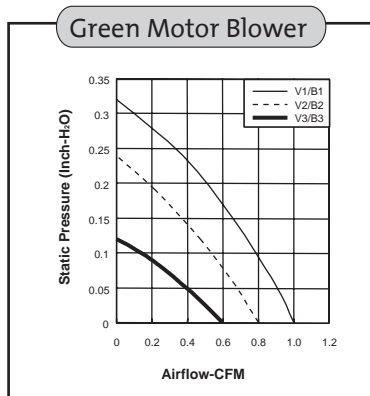
Bearing Type :Vapo / Ball bearing
Air Flow:0.6-1.0 CFM



Green Motor Blower

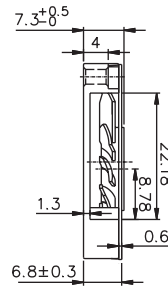
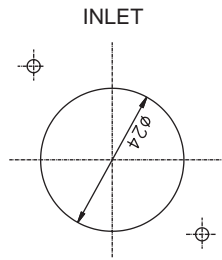
Model	P/N	Bearing	Rating Voltage (VDC)	Power Current (AMP)	Power Consumption (WATTS)	Speed (RPM)	Air Flow (CFM)	Static Pressure (Inch-H ₂ O)	Noise (dBA)	Weight (g)
GB0535AEV1-8		● VAP0	5	0.12	0.6	8500	1.0	0.32	30	11
GB0535AEV2-8		● BALL	5	0.08	0.4	7000	0.8	0.24	25	11
GB0535AEV3-8		● 2BALL	5	0.05	0.25	5500	0.6	0.12	19.5	11
GB0535AEB1-8		○ VAP0	5	0.12	0.6	8500	1.0	0.32	31	11
GB0535AEB2-8		○ BALL	5	0.08	0.4	7000	0.8	0.24	26	11
GB0535AEB3-8		○ 2BALL	5	0.05	0.25	5500	0.6	0.12	20	11

Specifications subject to change without notice

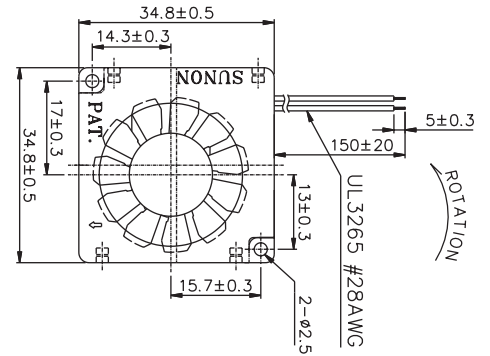


35x35x7 mm

Bearing Type :Vapo / Ball bearing
Air Flow:0.8-1.2 CFM



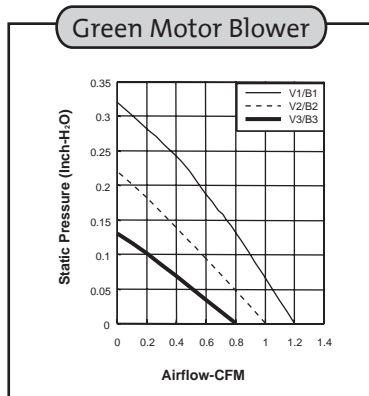
← AIR FLOW



Green Motor Blower

Model	P/N	Bearing	Rating Voltage (VDC)	Power Current (AMP)	Power Consumption (WATTS)	Speed (RPM)	Air Flow (CFM)	Static Pressure (Inch-HzO)	Noise (dBA)	Weight (g)
GB0535ADV1-8		● VAP0	5	0.12	0.6	8000	1.2	0.32	30	12
GB0535ADV2-8		● BALL	5	0.08	0.4	6500	1.0	0.22	24.5	12
GB0535ADV3-8		● 2BALL	5	0.05	0.25	5000	0.8	0.13	19.5	12
GB0535ADB1-8		○	5	0.12	0.6	8000	1.2	0.32	31	12
GB0535ADB2-8		○	5	0.08	0.4	6500	1.0	0.22	25	12
GB0535ADB3-8		○	5	0.05	0.25	5000	0.8	0.13	20	12

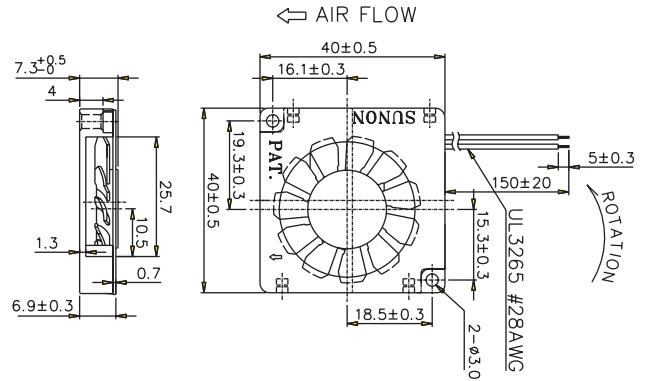
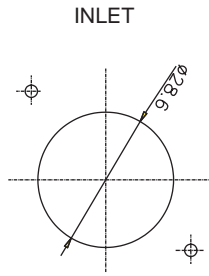
Specifications subject to change without notice



40x40x7 mm

Bearing Type :Vapo / Ball bearing

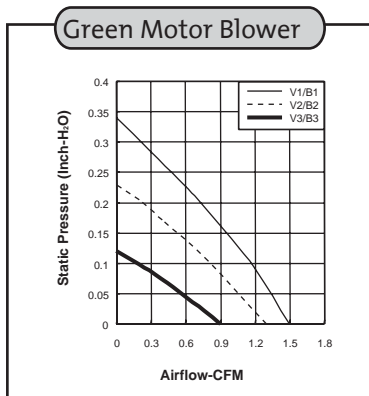
Air Flow: 0.9-1.5 CFM



Green Motor Blower

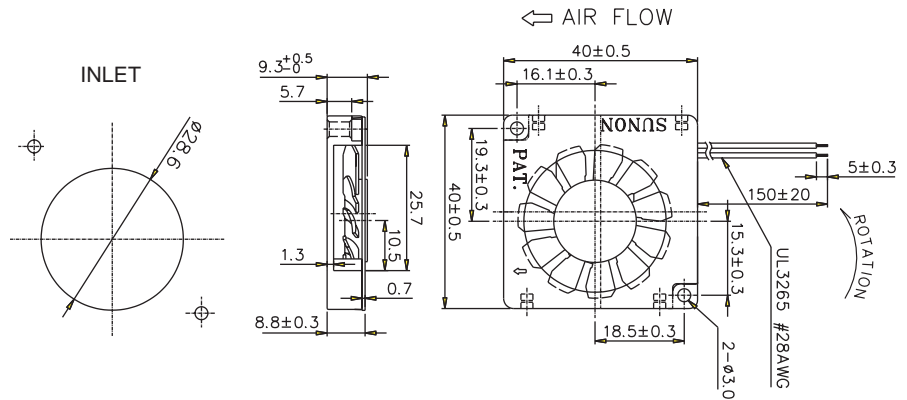
Model	P/N	Bearing	Rating Voltage (VDC)	Power Current (AMP)	Power Consumption (WATTS)	Speed (RPM)	Air Flow (CFM)	Static Pressure (Inch-H ₂ O)	Noise (dBA)	Weight (g)
GB0504ADV1-8		● VAPO	5	0.09	0.45	7500	1.5	0.34	33	15
GB0504ADV2-8		○ BALL	5	0.05	0.25	6000	1.3	0.23	25.5	15
GB0504ADV3-8		● 2BALL	5	0.03	0.15	4500	0.9	0.12	19.5	15
GB0504ADB1-8		○	5	0.09	0.45	7500	1.5	0.34	34	15
GB0504ADB2-8		○	5	0.05	0.25	6000	1.3	0.23	26	15
GB0504ADB3-8		○	5	0.03	0.15	4500	0.9	0.12	20	15

Specifications subject to change without notice



40x40x9 mm

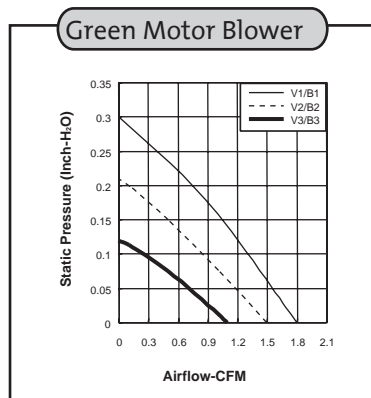
Bearing Type :Vapo / Ball bearing
 Air Flow: 1.1-1.8 CFM



Green Motor Blower

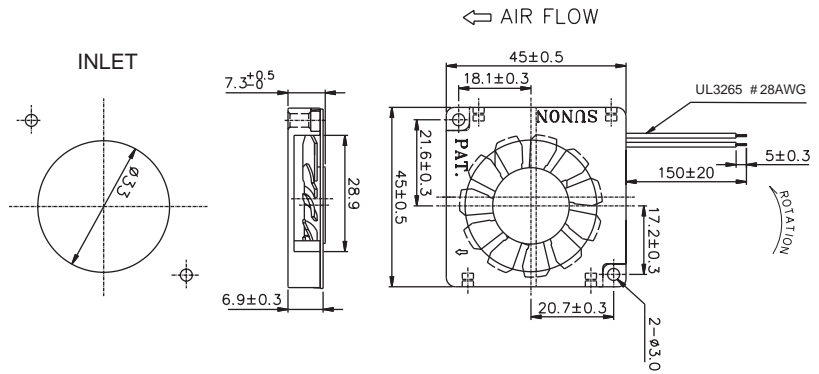
Model	P/N	Bearing	Rating Voltage (VDC)	Power Current (AMP)	Power Consumption (WATTS)	Speed (RPM)	Air Flow (CFM)	Static Pressure (Inch-H ₂ O)	Noise (dBA)	Weight (g)
GB0504AFV1-8		● VAP0	5	0.06	0.3	6500	1.8	0.30	30	18
GB0504AFV2-8		○ BALL	5	0.04	0.2	5500	1.5	0.21	24.5	18
GB0504AFV3-8		● 2BALL	5	0.03	0.15	4200	1.1	0.12	19.5	18
GB0504AFB1-8		○	5	0.06	0.3	6500	1.8	0.30	31	18
GB0504AFB2-8		○	5	0.04	0.2	5500	1.5	0.21	25	18
GB0504AFB3-8		○	5	0.03	0.15	4200	1.1	0.12	20	18

Specifications subject to change without notice



45x45x7 mm

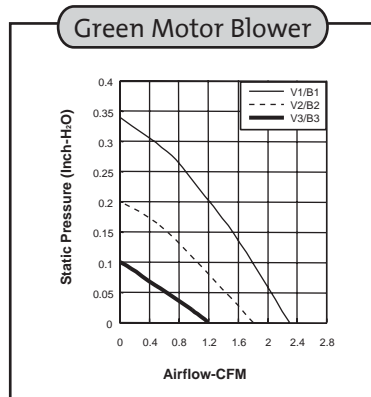
Bearing Type :Vapo / Ball bearing
 Air Flow:1.2-2.3 CFM



Green Motor Blower

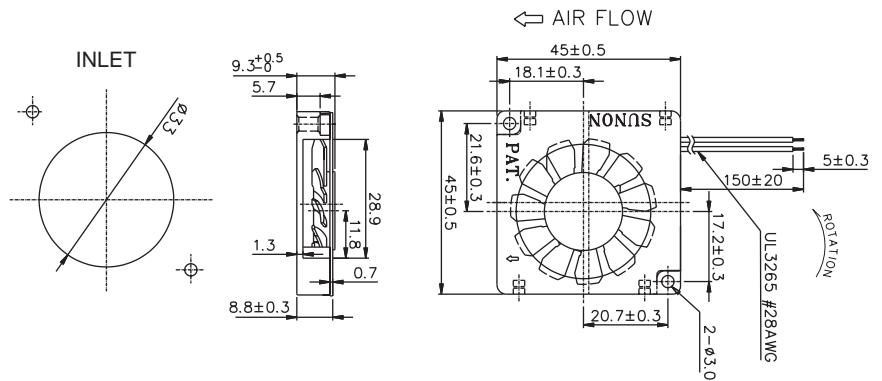
Model	P/N	Bearing	Rating Voltage (VDC)	Power Current (AMP)	Power Consumption (WATTS)	Speed (RPM)	Air Flow (CFM)	Static Pressure (Inch-H ₂ O)	Noise (dBA)	Weight (g)
GB0545ADV1-8		● VAP0	5	0.1	0.5	6500	2.3	0.34	33	15
GB0545ADV2-8		● BALL	5	0.06	0.3	5000	1.8	0.20	26	15
GB0545ADV3-8		● 2BALL	5	0.03	0.15	3500	1.2	0.10	19.5	15
GB0545ADB1-8		○	5	0.1	0.5	6500	2.3	0.34	34	15
GB0545ADB2-8		○	5	0.06	0.3	5000	1.8	0.20	27	15
GB0545ADB3-8		○	5	0.03	0.15	3500	1.2	0.10	20	15

Specifications subject to change without notice



45x45x9 mm

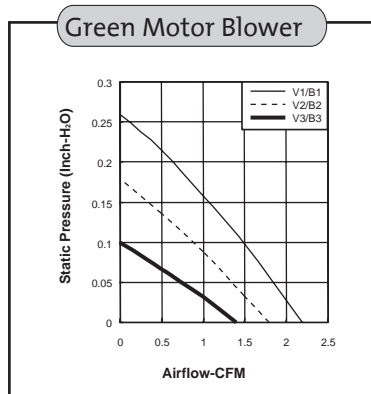
Bearing Type :Vapo / Ball bearing
Air Flow: 1.4-2.2 CFM



Green Motor Blower

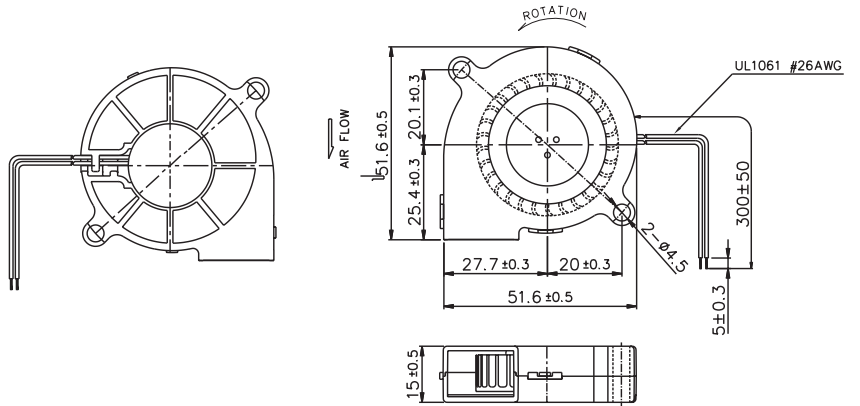
Model	P/N	Bearing	Rating Voltage (VDC)	Power Current (AMP)	Power Consumption (WATTS)	Speed (RPM)	Air Flow (CFM)	Static Pressure (Inch-H ₂ O)	Noise (dBA)	Weight (g)
GB0545AFV1-8		● VAPO	5	0.07	0.35	5500	2.2	0.26	29	22
GB0545AFV2-8		○ BALL	5	0.05	0.25	4500	1.8	0.18	23	22
GB0545AFV3-8		● 2BALL	5	0.03	0.15	3500	1.4	0.10	19.5	22
GB0545AFB1-8		○	5	0.07	0.35	5500	2.2	0.26	30	22
GB0545AFB2-8		○	5	0.05	0.25	4500	1.8	0.18	24	22
GB0545AFB3-8		○	5	0.03	0.15	3500	1.4	0.10	20	22

Specifications subject to change without notice



50x50x15 mm

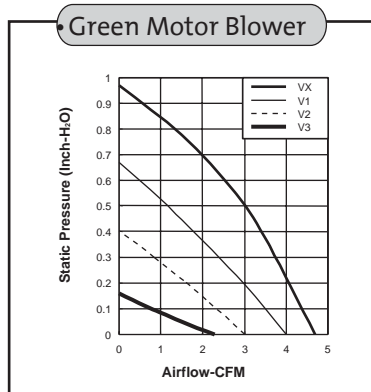
Bearing Type : Vapo bearing
 Air Flow: 2.3-4.7 CFM



Green Motor Blower

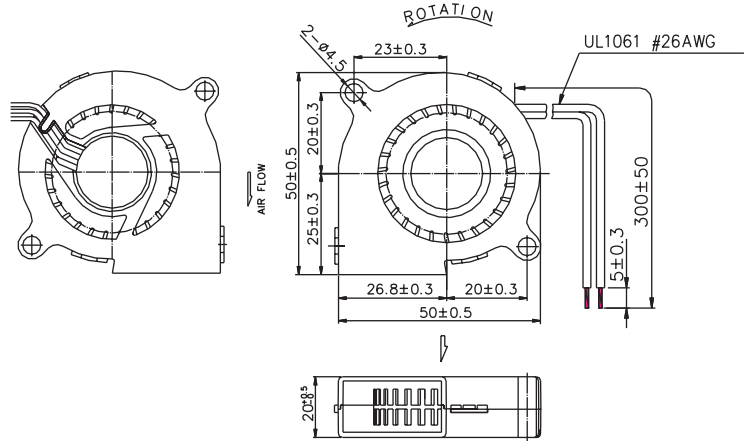
Model	P/N	Bearing	Rating Voltage (VDC)	Power Current (AMP)	Power Consumption (WATTS)	Speed (RPM)	Air Flow (CFM)	Static Pressure (Inch-H ₂ O)	Noise (dBA)	Weight (g)
GB1205PHVX-8AY		● VAP0	12	0.18	2.2	6000	4.7	0.97	42.2	30
GB1205PHV1-8AY		○ BALL	12	0.11	1.3	5000	4.0	0.67	39.8	30
GB1205PHV2-8AY		● 2BALL	12	0.06	0.7	4000	3.0	0.40	33.4	30
GB1205PHV3-8AY		●	12	0.04	0.5	3000	2.3	0.16	27	30

Specifications subject to change without notice



50x50x20 mm

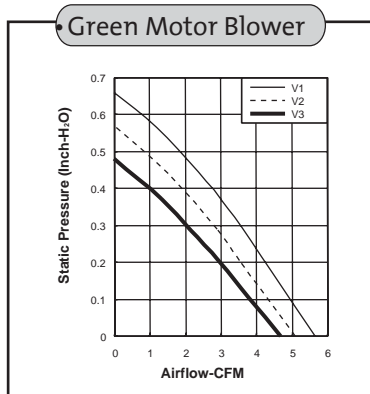
Bearing Type : Vapo bearing
 Air Flow: 4.8-5.7 CFM



Green Motor Blower

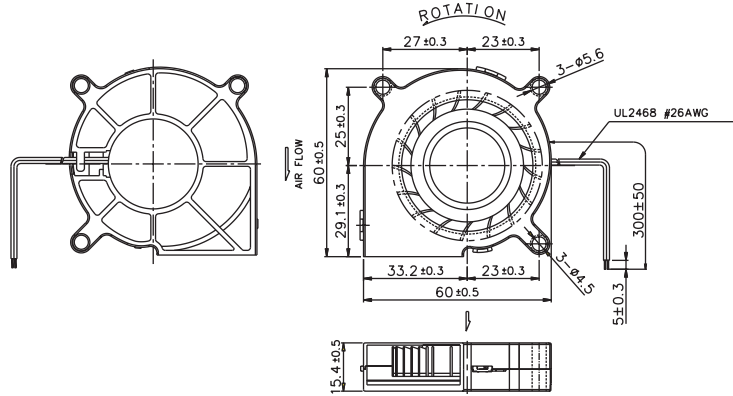
Model	P/N	Bearing	Rating Voltage (VDC)	Power Current (AMP)	Power Consumption (WATTS)	Speed (RPM)	Air Flow (CFM)	Static Pressure (Inch-H ₂ O)	Noise (dBA)	Weight (g)
GB1205PKV1-8AY		● VAPO	12	0.12	1.4	5200	5.7	0.66	35	33
GB1205PKV2-8AY		○ BALL	12	0.10	1.2	4800	5.2	0.56	33	33
GB1205PKV3-8AY		● 2BALL	12	0.08	1.0	4400	4.8	0.46	30	33

Specifications subject to change without notice



60x60x15 mm

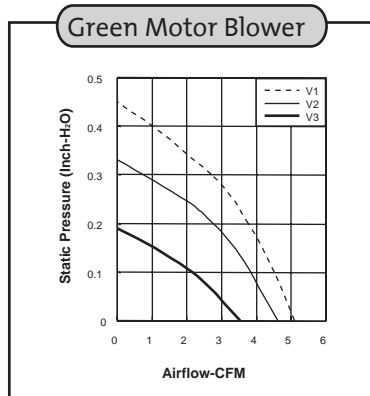
Bearing Type : Vapo bearing
 Air Flow: 3.5- 5.2 CFM



Green Motor Blower

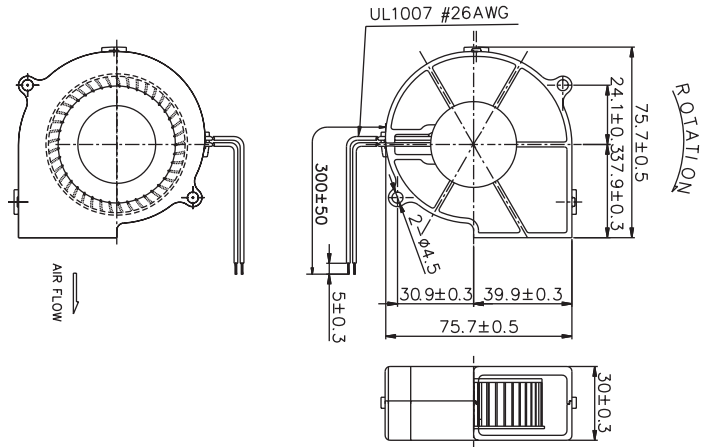
Model	P/N	Bearing	Rating Voltage (VDC)	Power Current (AMP)	Power Consumption (WATTS)	Speed (RPM)	Air Flow (CFM)	Static Pressure (Inch-H ₂ O)	Noise (dBA)	Weight (g)
GB1206PHV1-AY		● VAP0	12	0.11	1.3	4800	5.2	0.44	40.5	45
GB1206PHV2-AY		○ BALL	12	0.07	0.8	4200	4.7	0.32	36	45
GB1206PHV3-AY		● 2BALL	12	0.04	0.5	3200	3.5	0.18	29	45

Specifications subject to change without notice



75x75x30 mm

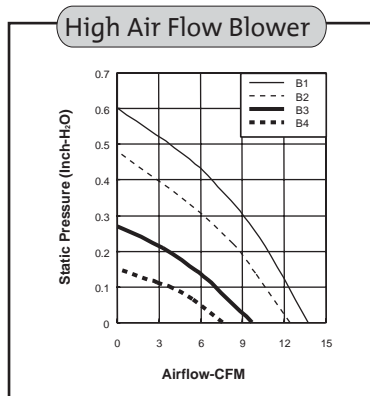
Bearing Type : Ball bearing
Air Flow: 7.5-13.6 CFM



High Air Flow Blower

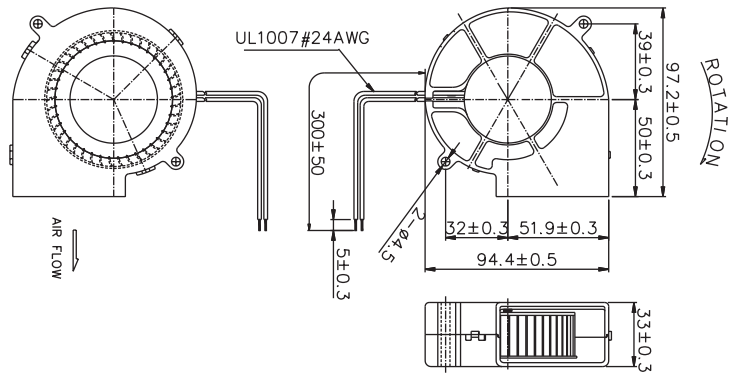
Model	P/N	Bearing	Rating Voltage (VDC)	Power Current (AMP)	Power Consumption (WATTS)	Speed (RPM)	Air Flow (CFM)	Static Pressure (Inch-H ₂ O)	Noise (dBA)	Weight (g)
PMB1275PNB1-AY	(2)	● VAPO ○ BALL ⊗ 2BALL	12	0.3	3.6	3400	13.6	0.60	43.5	86.5
PMB1275PNB2-AY	(2)	●	12	0.23	2.8	3000	12.3	0.48	40.5	86.5
PMB1275PNB3-AY	(2)	○	12	0.11	1.3	2400	9.6	0.27	33.9	86.5
PMB1275PNB4-AY	(2)	⊗	12	0.08	1.0	1900	7.5	0.15	28	86.5
PMB2475PNB1-AY	(2)	●	24	0.17	4.1	3400	13.6	0.60	43.5	86.5
PMB2475PNB2-AY	(2)	●	24	0.14	3.4	3000	12.3	0.48	40.5	86.5
PMB2475PNB3-AY	(2)	○	24	0.08	1.9	2400	9.6	0.27	33.9	86.5
PMB2475PNB4-AY	(2)	○	24	0.05	1.2	1900	7.5	0.15	28	86.5

Specifications subject to change without notice



97x94x33 mm

Bearing Type :Ball bearing
 Air Flow: 22.4-30.5 CFM



High Air Flow Blower

Model	P/N	Bearing	Rating Voltage (VDC)	Power Current (AMP)	Power Consumption (WATTS)	Speed (RPM)	Air Flow (CFM)	Static Pressure (Inch-H ₂ O)	Noise (dBA)	Weight (g)
PMB1297PYB1-AY	(2)	● VAPO ○ BALL ⊙ 2BALL	12	0.72	8.6	3600	30.5	0.92	55.8	185
PMB1297PYB2-AY	(2)	●	12	0.56	6.7	3200	26.6	0.65	53.1	185
PMB1297PYB3-AY	(2)	○	12	0.30	3.6	2700	22.4	0.43	50.0	185
PMB2497PYB1-AY	(2)	●	24	0.39	9.4	3600	30.5	0.92	55.8	185
PMB2497PYB2-AY	(2)	○	24	0.25	6.0	3200	26.6	0.65	53.1	185
PMB2497PYB3-AY	(2)	⊙	24	0.16	3.8	2700	22.4	0.43	50.0	185
PMB4897PYB1-AY	(2)	●	48	0.23	11.0	3600	30.5	0.92	55.8	185
PMB4897PYB2-AY	(2)	○	48	0.17	8.2	3200	26.6	0.65	53.1	185
PMB4897PYB3-AY	(2)	⊙	48	0.12	5.8	2700	22.4	0.43	50.0	185

Specifications subject to change without notice

