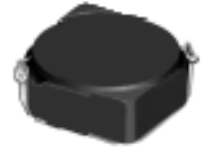
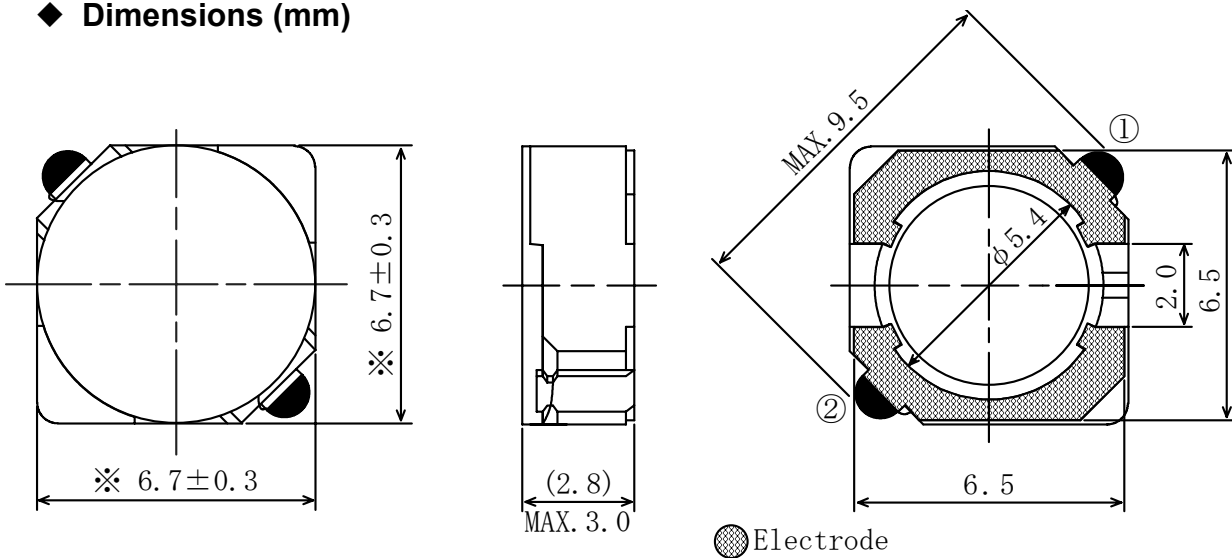
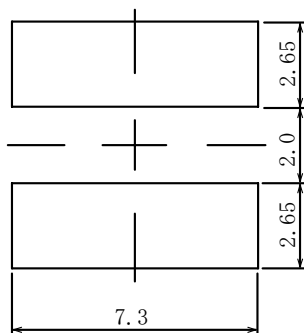


**Type: CDRH6D28**
**◆ Product Description**

- 7.0×7.0mm Max.(L×W) , 3.0mm Max. Height.
- Inductance range: 3.0~100 μ H
- Rated current range: 0.54~3.0A
- In addition to the standards versions shown here, custom inductors are also available to meet your exact requirements.


**◆ Feature**

- Magnetically shielded construction.
- Ideally used in MP3, PDA, HDD, DSC/DVC, Notebook PC etc as DC-DC Converter inductors.
- RoHS Compliance.

**◆ Dimensions (mm)**

**◆ Land Pattern (mm)**


**Type: CDRH6D28**
**◆ Specification**

Part Name ※	Stamp	Inductance [Within] 10kHz/1V	D.C.R.(Ω) Max.(Typ.) (at 20°C)	Rated Current (A) ※1
CDRH6D28NP-3R0N□	3R0	3.0 μH ± 30%	24m (18m)	3.00
CDRH6D28NP-3R9N□	3R9	3.9 μH ± 30%	27m (20m)	2.60
CDRH6D28NP-5R0N□	5R0	5.0 μH ± 30%	31m (23m)	2.40
CDRH6D28NP-6R0N□	6R0	6.0 μH ± 30%	35m (26m)	2.25
CDRH6D28NP-7R3N□	7R3	7.3 μH ± 30%	54m (40m)	2.10
CDRH6D28NP-8R6N□	8R6	8.6 μH ± 30%	58m (43m)	1.85
CDRH6D28NP-100N□	100	10 μH ± 30%	65m (48m)	1.70
CDRH6D28NP-120N□	120	12 μH ± 30%	70m (52m)	1.55
CDRH6D28NP-150N□	150	15 μH ± 30%	84m (62m)	1.40
CDRH6D28NP-180N□	180	18 μH ± 30%	95m (70m)	1.32
CDRH6D28NP-220N□	220	22 μH ± 30%	128m (95m)	1.20
CDRH6D28NP-270N□	270	27 μH ± 30%	142m(105m)	1.05
CDRH6D28NP-330N□	330	33 μH ± 30%	165m(122m)	0.97
CDRH6D28NP-390N□	390	39 μH ± 30%	210m(156m)	0.86
CDRH6D28NP-470N□	470	47 μH ± 30%	238m(176m)	0.80
CDRH6D28NP-560N□	560	56 μH ± 30%	277m(205m)	0.73
CDRH6D28NP-680N□	680	68 μH ± 30%	304m(225m)	0.65
CDRH6D28NP-820N□	820	82 μH ± 30%	390m(290m)	0.60
CDRH6D28NP-101N□	101	100 μH ± 30%	535m(397m)	0.54

**※Description Of Part Name**

CDRH6D28NP-3R0N□

	B	Box
	C	Carrier Tane

※1 Rated current: The DC current at which the inductance decreases to 65% of it's nominal value or when Δt=30°C, whichever is lower(Ta=20°C).