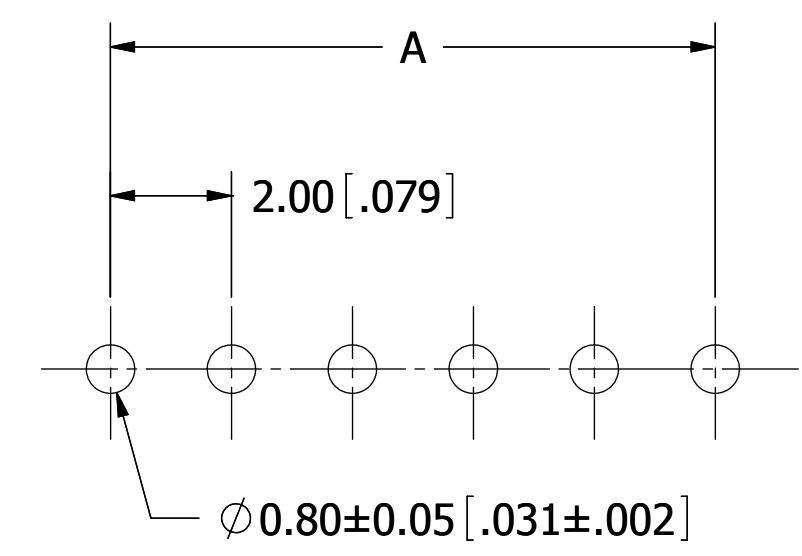
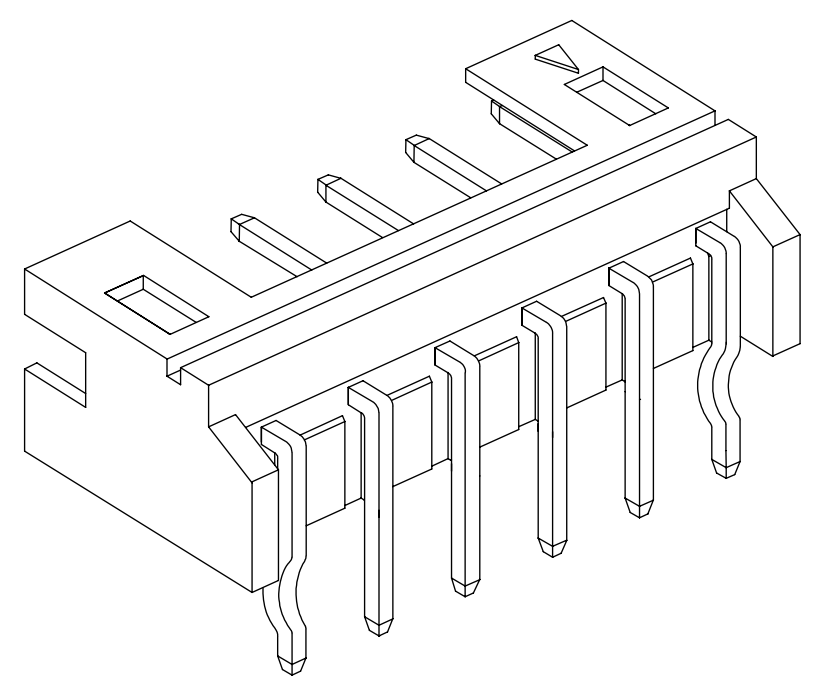
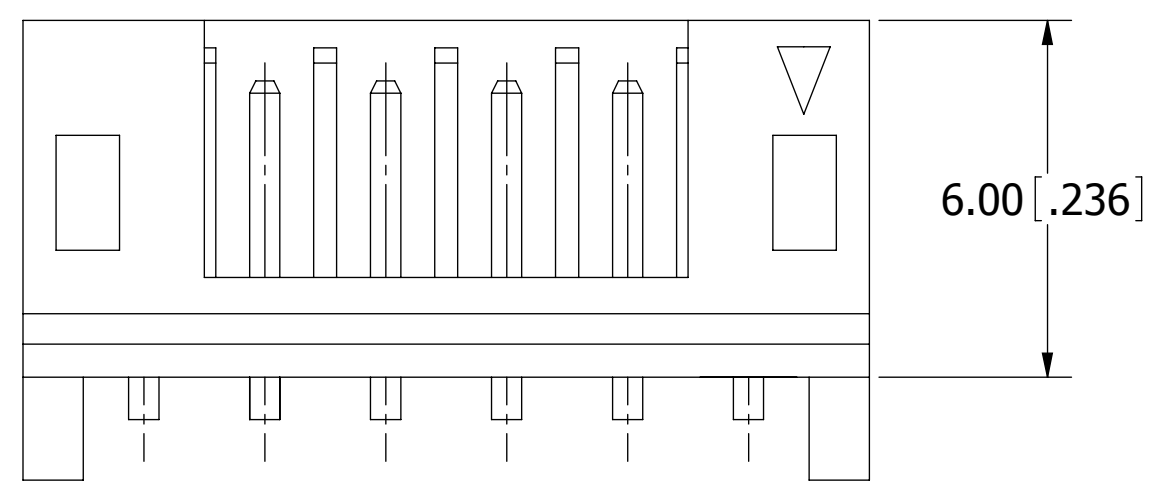


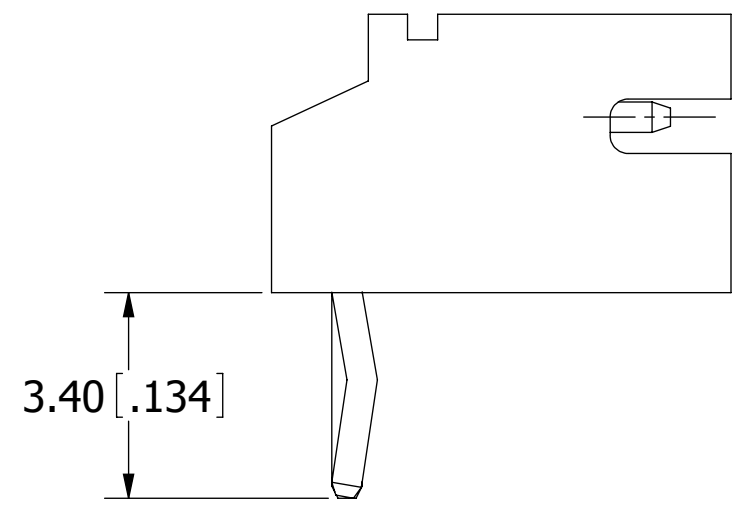
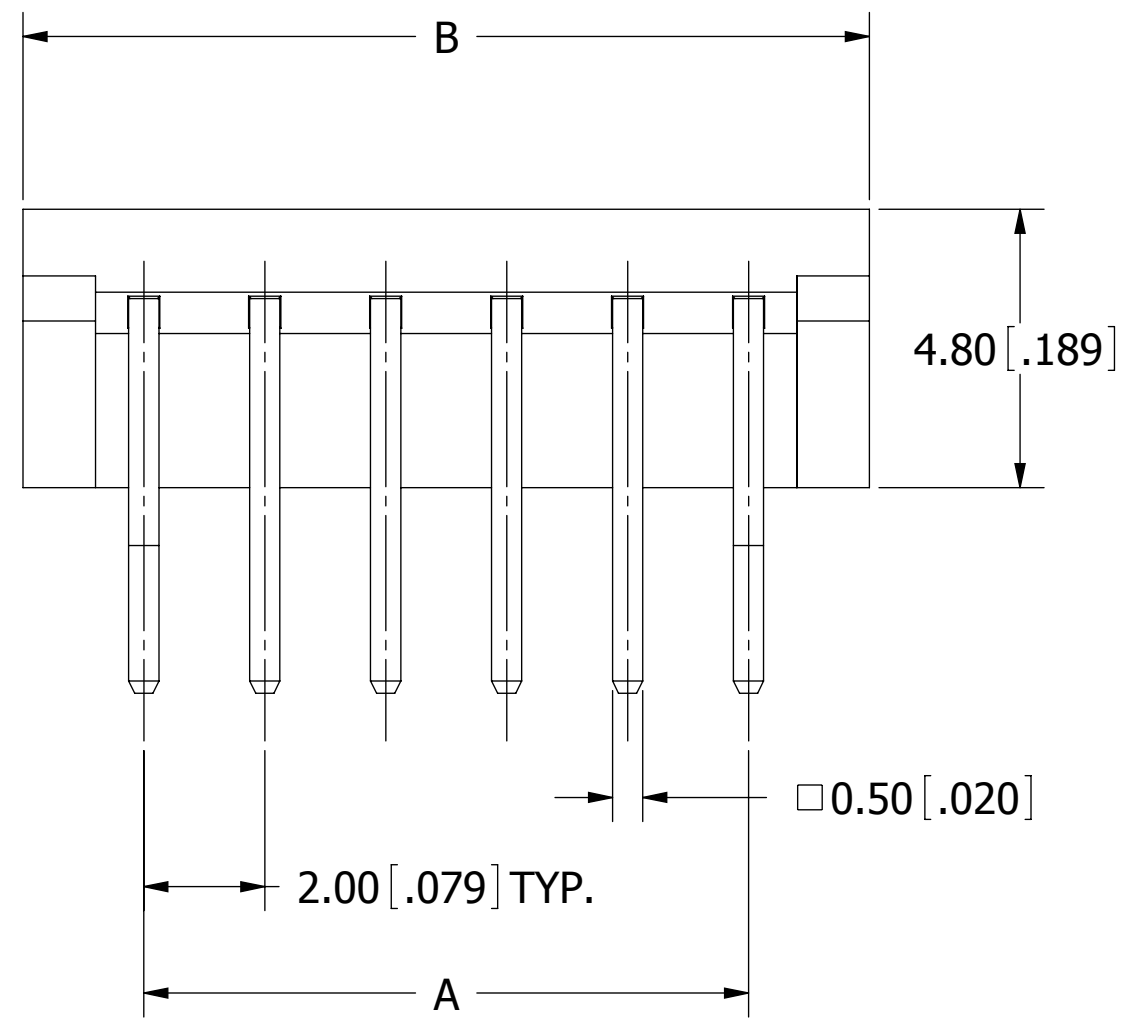
**PART NUMBER CODING**  
**SWR201-NRTN-S\_\_-RL-WH**

**NUMBER OF POSITIONS**  
 (CONTACTS PER ROW)

REVISIONS				
REV.	ECO. NO	DESCRIPTION	DATE	BY
A	2235	INITIAL RELEASE	05/25/2011	LH

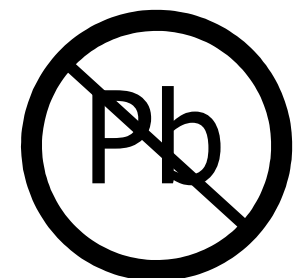


**RECOMMENDED PCB LAYOUT**  
 P.C. BOARD THICKNESS: 0.80mm ~ 1.60mm [.031" ~ .063"]



Part Number	Positions/ Contacts	A		B	
		MM	INCH	MM	INCH
SWR201-NRTN-S02-RL-WH	02/02	2.00	0.079	5.90	0.232
SWR201-NRTN-S03-RL-WH	03/03	4.00	0.157	7.90	0.311
SWR201-NRTN-S04-RL-WH	04/04	6.00	0.236	9.90	0.390
SWR201-NRTN-S05-RL-WH	05/05	8.00	0.315	11.90	0.469
SWR201-NRTN-S06-RL-WH	06/06	10.00	0.394	13.90	0.547
SWR201-NRTN-S07-RL-WH	07/07	12.00	0.472	15.90	0.626
SWR201-NRTN-S08-RL-WH	08/08	14.00	0.551	17.90	0.705
SWR201-NRTN-S09-RL-WH	09/09	16.00	0.630	19.90	0.783
SWR201-NRTN-S10-RL-WH	10/10	18.00	0.709	21.90	0.862
SWR201-NRTN-S11-RL-WH	11/11	20.00	0.787	23.90	0.941
SWR201-NRTN-S12-RL-WH	12/12	22.00	0.866	25.90	1.020
SWR201-NRTN-S13-RL-WH	13/13	24.00	0.945	27.90	1.098
SWR201-NRTN-S14-RL-WH	14/14	26.00	1.024	29.90	1.177
SWR201-NRTN-S15-RL-WH	15/15	28.00	1.102	31.90	1.256
SWR201-NRTN-S16-RL-WH	16/16	30.00	1.181	33.90	1.335

- NOTES:**
- INSULATOR MATERIAL: NYLON 66, UL94V-0, COLOR: WHITE.
  - CONTACT MATERIAL: BRASS.
  - CONTACT PLATING: .000020" MIN. NICKEL UNDERPLATE, PURE TIN, BRIGHT OVERALL.
  - CURRENT RATING: 1 AMP PER CONTACT.
  - VOLTAGE RATING: 125V AC/DC.
  - INSULATOR RESISTANCE: 1000 MEGOHMS MIN.
  - CONTACT RESISTANCE: 20 MILLIOHMS MAX.
  - DIELECTRIC WITHSTANDING VOLTAGE: 800V AC.
  - OPERATING TEMPERATURE: -25° C TO +85° C.
  - MATES WITH SWH201 SERIES SINGLE ROW HOUSING.



**RoHS COMPLIANT**

UNLESS OTHERWISE SPECIFIED: DIMENSIONS ARE IN MM[INCHES]	DRAWN	DATE	NAME	
		05/25/2011	LH	
TOLERANCES: ANGULAR: .X = ± 0.3 [.01] .XX = ± 0.30 [.012]	THE INFORMATION HEREIN CONTAINS PROPRIETARY INFORMATION OF SULLINS ELECTRONICS AND IS NOT TO BE REPRODUCED, USED OR DISCLOSED TO OTHERS FOR ANY PURPOSE EXCEPT AS SPECIFICALLY AUTHORIZED IN WRITING BY AN OFFICER OF SULLINS ELECTRONICS.			
	TITLE: WAFER 2.0mm [.079"] CC, 1 ROW, SMT PART NUMBER: SWR201-NRTN-S__-RL-WH			
INTERPRET DIMENSIONS AND TOLERANCING PER: ASME Y14.5M-2009	SIZE	CAGE CODE	DWG. NO.	REV
	C	54453	11624	A
SCALE: 8:1			SHEET 1 OF 1	