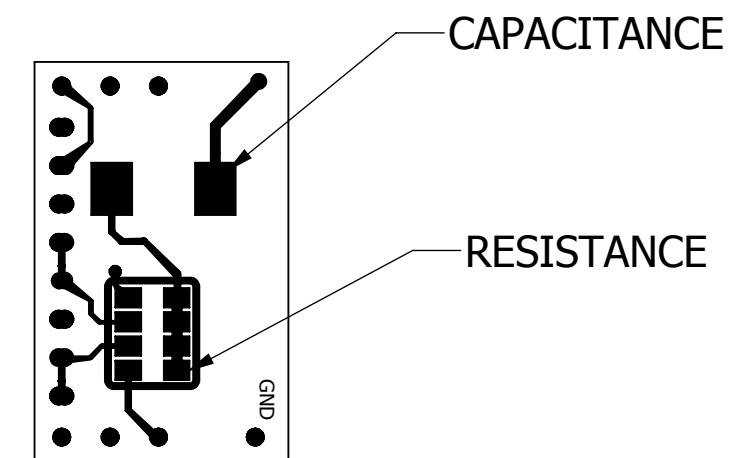
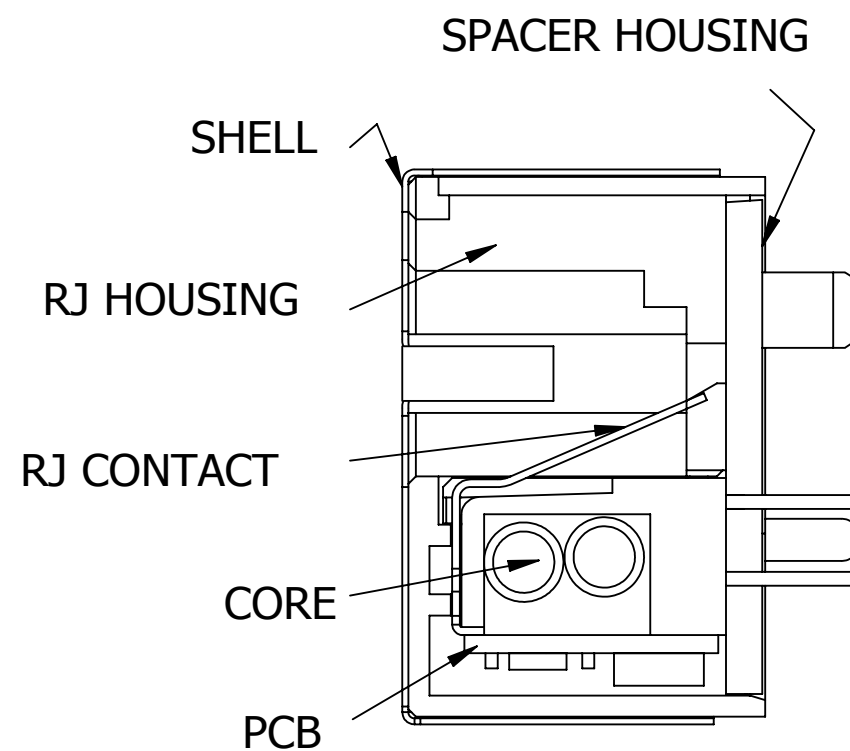
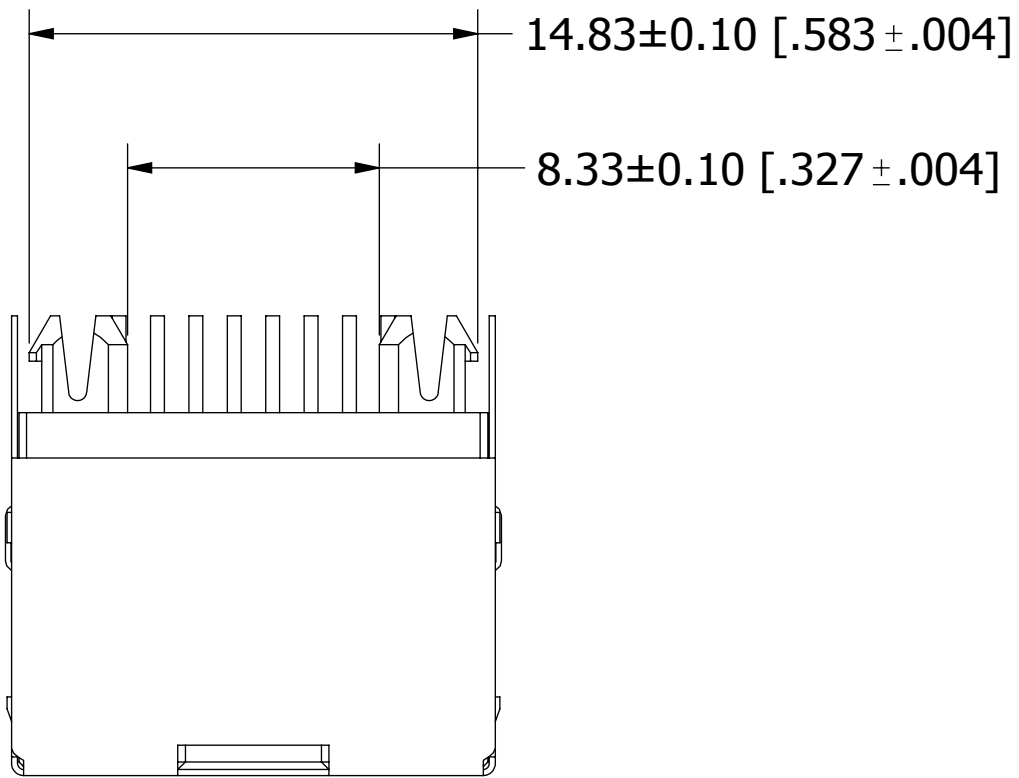
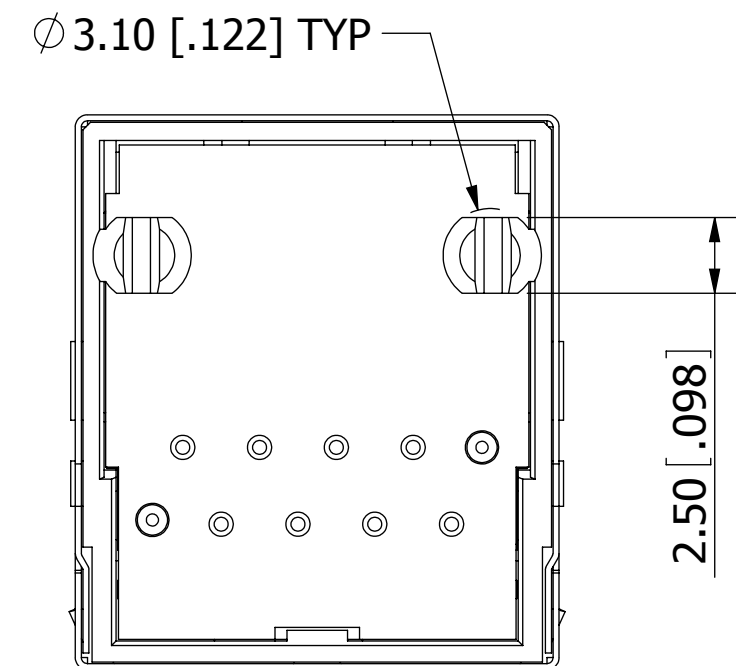
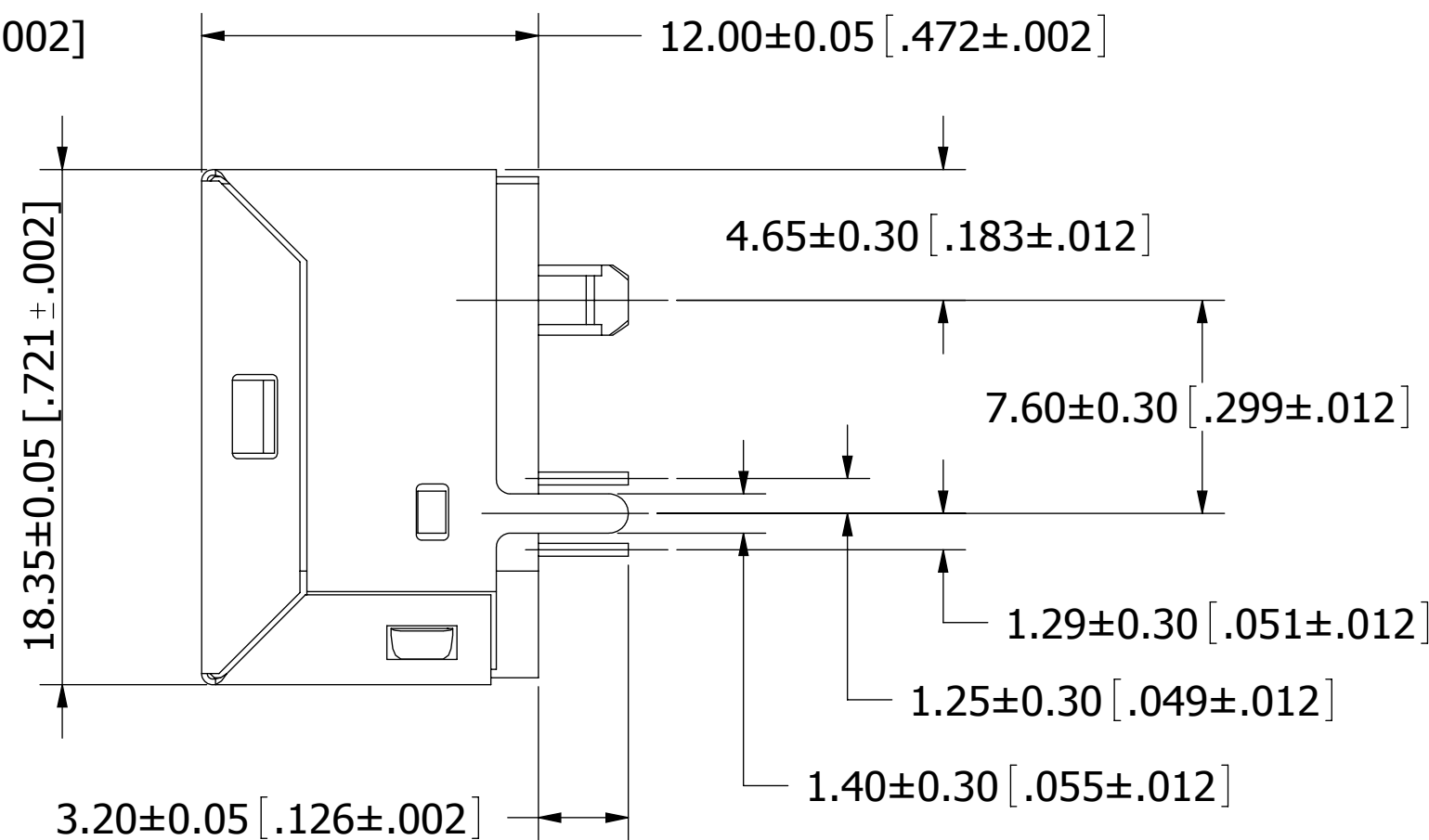
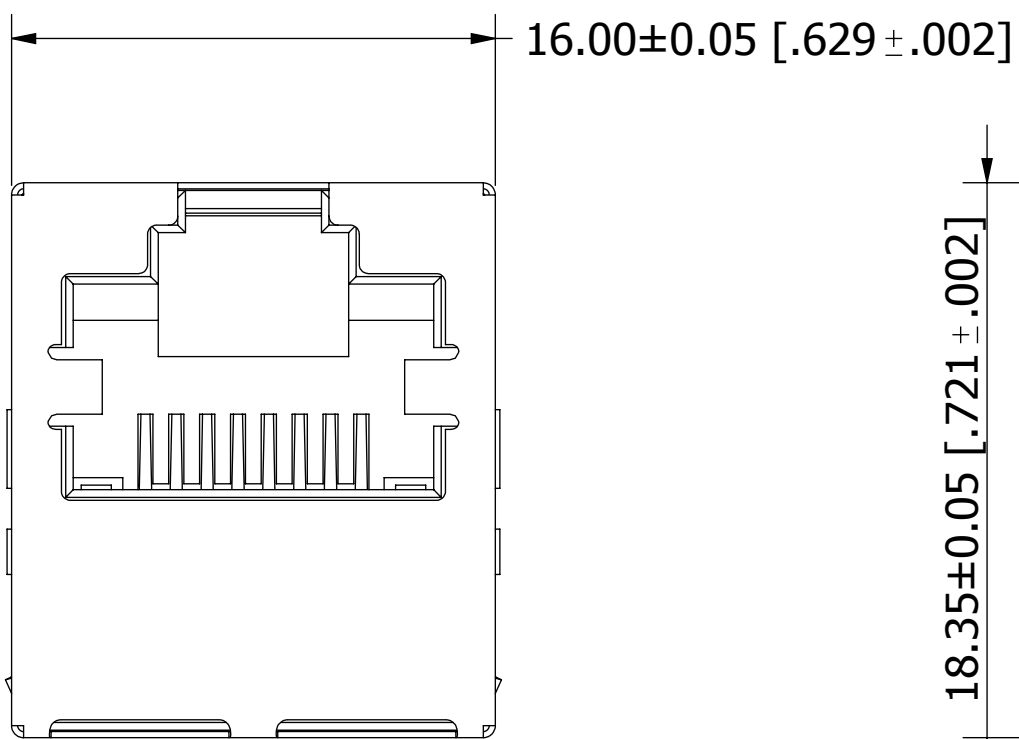


REVISIONS				
REV.	ECO. NO	DESCRIPTION	DATE	BY
A	2406	INITIAL RELEASE	08/02/2011	LH

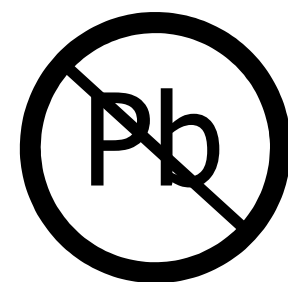


PCB LAYOUT



NOTES:

- MATERIAL:**
 PLASTIC HOUSING:
 RJ HOUSING: PBT, UL 94 V-0, BLACK
 SPACER HOUSING: PA46, UL 94 V-0, BLACK
 TRANSFORMER HOUSING: PHENOLIC, UL 94 V-0, BLACK
 TERMINALS:
 RJ CONTACTS: 0.25mm THICKNESS, PHOSPHOR BRONZE C5191H
 RJ SOLDER PIN: Ø0.46mm, PHOSPHOR BRONZE C5191H
 SHIELDS:
 SHELL: 0.2mm THICKNESS, BRASS C2680H
 PCB: FR-4 TWO LAYER PCB
- PLATING**
 RJ CONTACT: .000050" MIN NICKEL UNDERPLATED,
 .000006" GOLD FLASH ON CONTACT SURFACE,
 .000050" MIN TIN ON TERMINATION.
 RJ SOLDER PIN: .000030" MIN NICKEL UNDERPLATED, .000050" MIN TIN OVERALL
 SHELL: .000030" MIN NICKEL OVERALL, PRE-SOLDERING ON GROUND LEGS
- RoHS COMPLIANCE PER EU DIRECTIVE 2002/95/EC**
- OPERATING TEMPERATURE RANGE: 0°C TO +70°C**



RoHS COMPLIANT

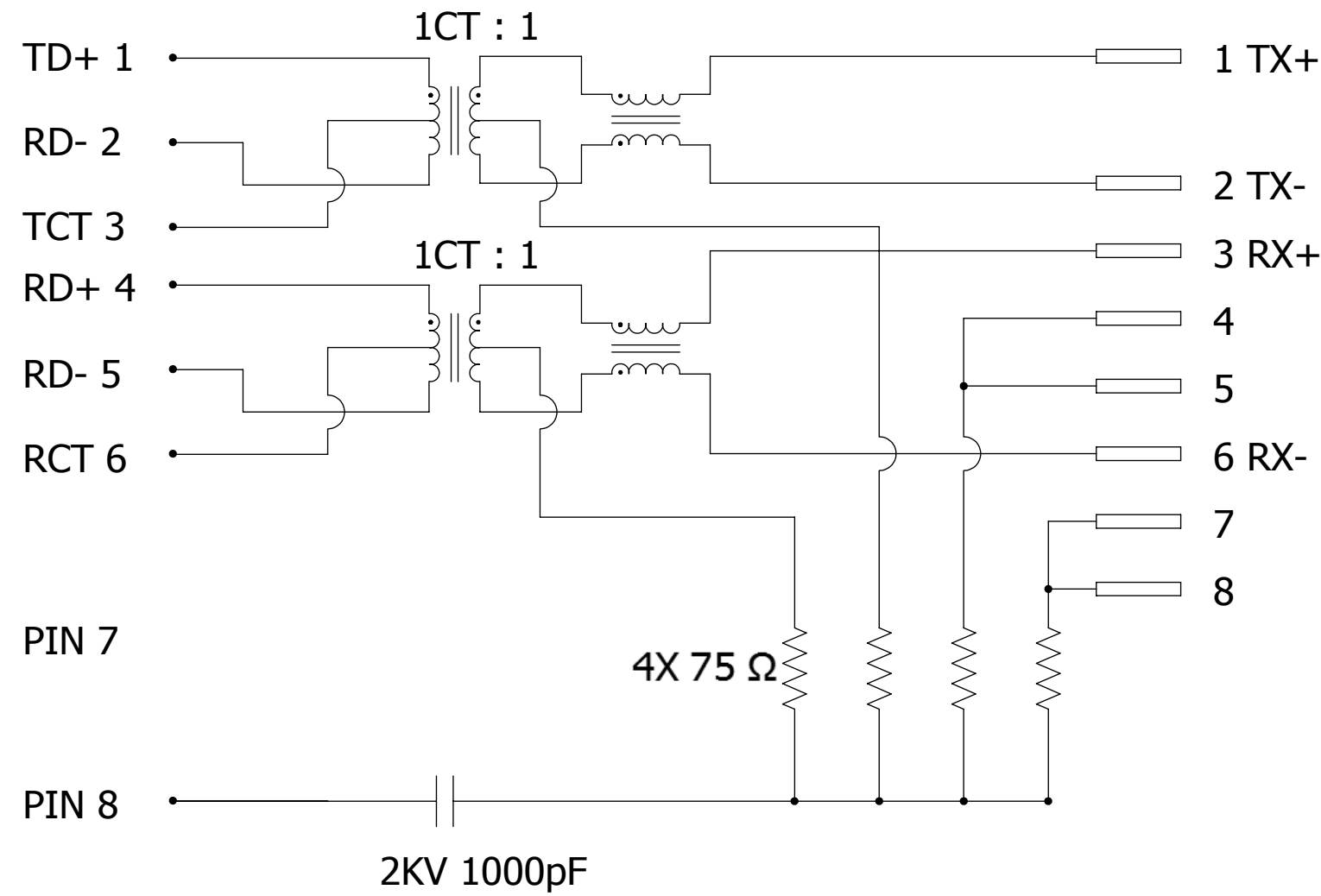
UNLESS OTHERWISE SPECIFIED: DIMENSIONS ARE IN MM[INCHES]	DRAWN	DATE	NAME	
		08/02/2011	LH	
TOLERANCES: ANGULAR: .X±.25 [.01] .XX±.15 [.006] .XXX±.100 [.0040]	THE INFORMATION HEREIN CONTAINS PROPRIETARY INFORMATION OF SULLINS ELECTRONICS AND IS NOT TO BE REPRODUCED, USED OR DISCLOSED TO OTHERS FOR ANY PURPOSE EXCEPT AS SPECIFICALLY AUTHORIZED IN WRITING BY AN OFFICER OF SULLINS ELECTRONICS.			TITLE
	INTERPRET DIMENSIONS AND TOLERANCING PER: ASME Y14.5M-2009			LOW PROFILE VERTICAL RJ 45 10/100 BASE-T
PART NUMBER				SMJ103-T88I-DS-11
SIZE	CAGE CODE	DWG. NO.	REV	
C	54453	11824	A	
SCALE: 4:1			SHEET 1 OF 2	

REVISIONS				
REV.	ECO. NO	DESCRIPTION	DATE	BY
A	2406	INITIAL RELEASE	08/02/2011	LH

SCHEMATIC:

PCB SIDE

CABLE SIDE

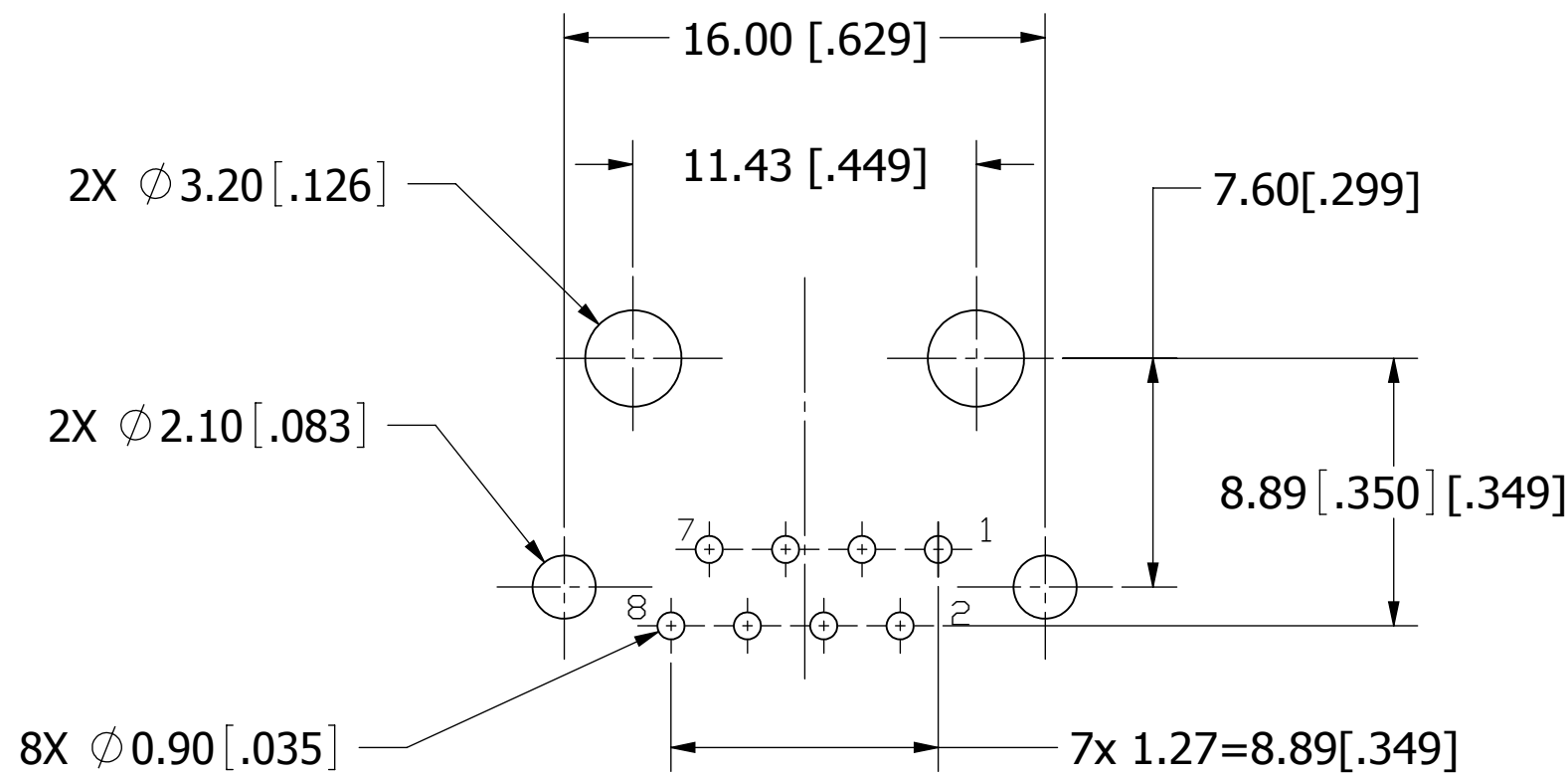


ELECTRICAL PROPERTIES

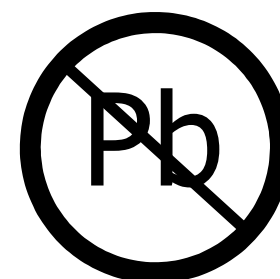
1. TRANSMITTER & RECEIVER FILTER:

INSERTION LOSS (dB MAX)	RETURN LOSS AT 100 Ω (dB MAX)		
	1~100MHz	1~30MHz	30~60MHz
-1.0	-18	-16	-12

- 2. COMMON MODE REJECTION @ 1~100 MHz: -30dB MIN
- 3. CROSS TALK @ 1~100 MHz: -35dB MIN
- 4. INDUCTANCE @ 100KHz/ 0.1V, 8mA DC BIAS: 350uH MIN
- 5. HIPOT TEST: 1500Vrms, 60 SEC



RECOMMENDED P.C.B LAYOUT
TOLERANCE: ±0.05 [.002]



RoHS COMPLIANT

UNLESS OTHERWISE SPECIFIED: DIMENSIONS ARE IN MM[INCHES]	DRAWN	DATE	NAME	
		08/02/2011	LH	
TOLERANCES: ANGULAR: .X=± .25 [.01] .XX=± .15 [.006] .XXX=± .100 [.0040]	THE INFORMATION HEREIN CONTAINS PROPRIETARY INFORMATION OF SULLINS ELECTRONICS AND IS NOT TO BE REPRODUCED, USED OR DISCLOSED TO OTHERS FOR ANY PURPOSE EXCEPT AS SPECIFICALLY AUTHORIZED IN WRITING BY AN OFFICER OF SULLINS ELECTRONICS.			TITLE
	INTERPRET DIMENSIONS AND TOLERANCING PER: ASME Y14.5M-2009			LOW PROFILE VERTICAL RJ 45 10/100 BASE-T PART NUMBER SMJ103-T88I-DS-11
	SIZE	CAGE CODE	DWG. NO.	REV
	C	54453	11824	A
	SCALE: 4:1			SHEET 2 OF 2