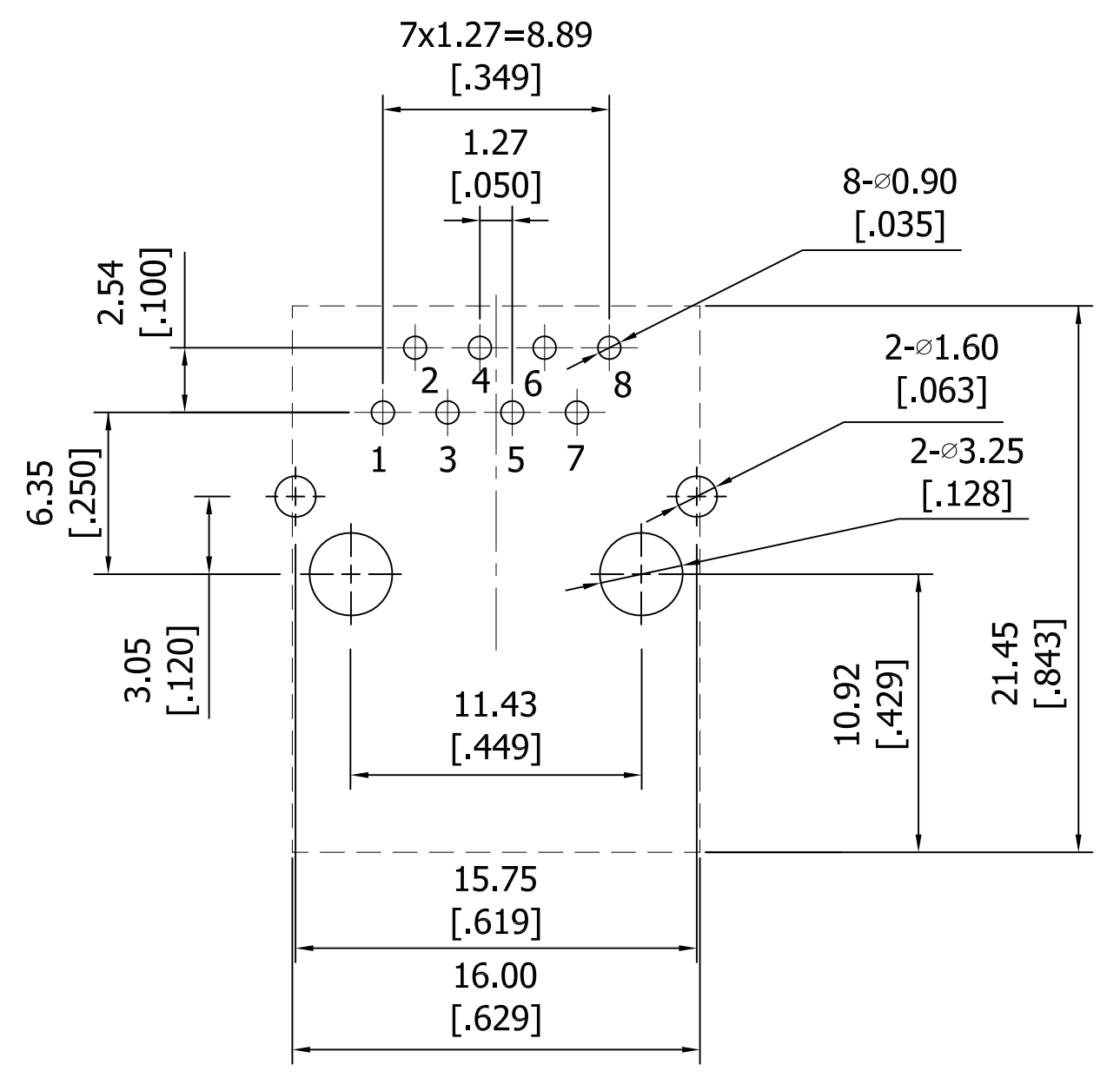
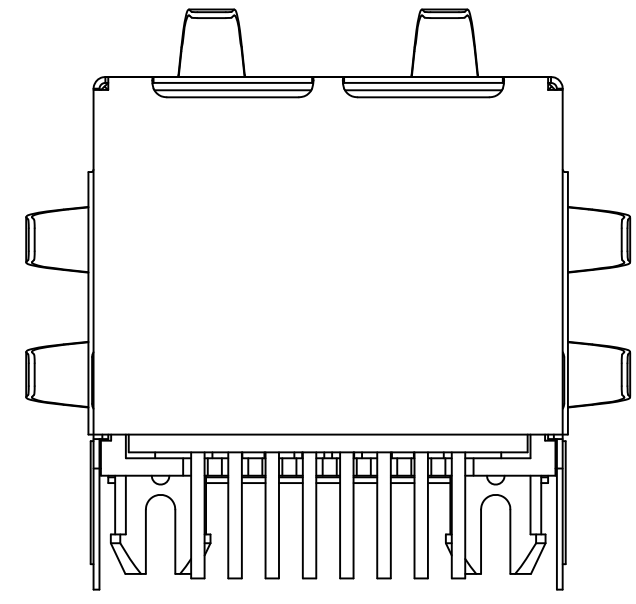
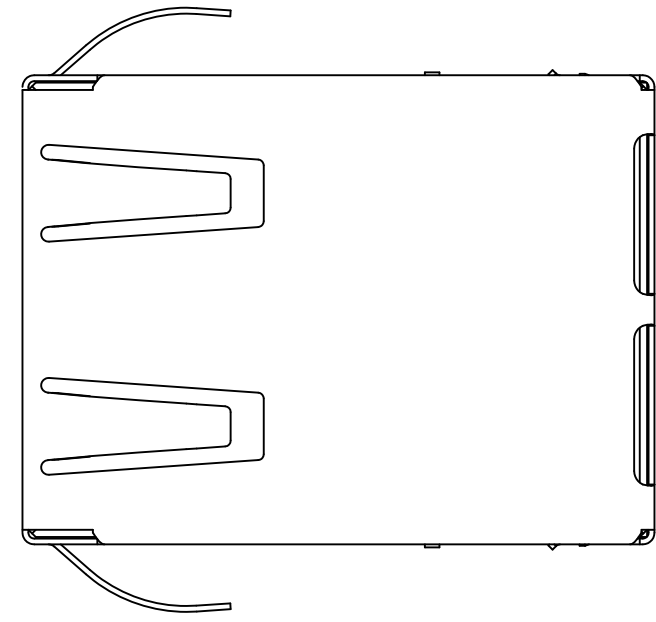
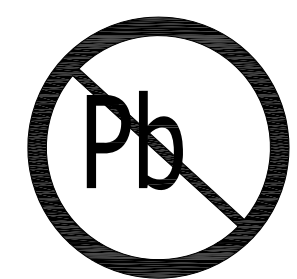
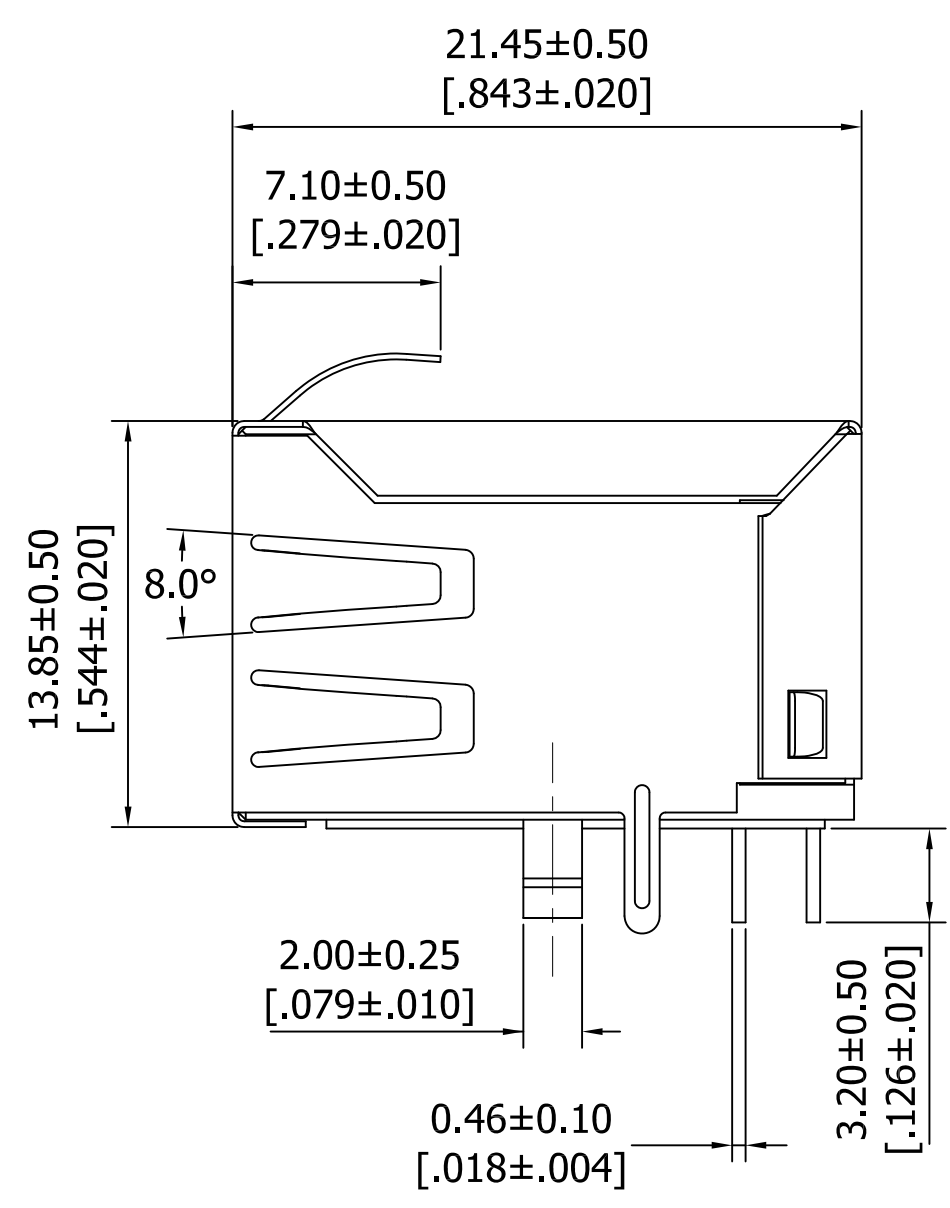
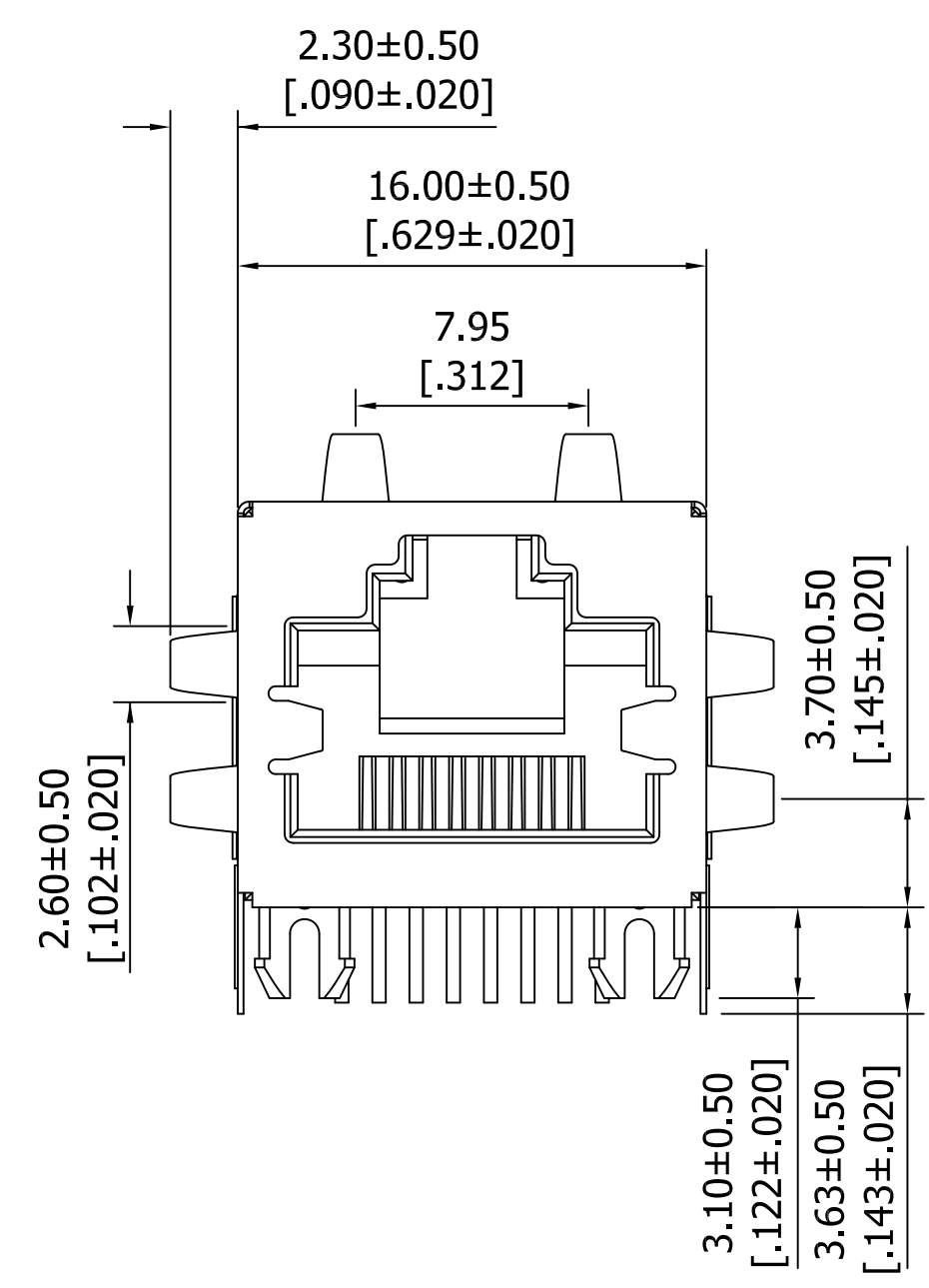


REVISIONS				
REV.	ECO. NO	DESCRIPTION	DATE	BY
A	2406	INITIAL RELEASE	08/01/2011	GC



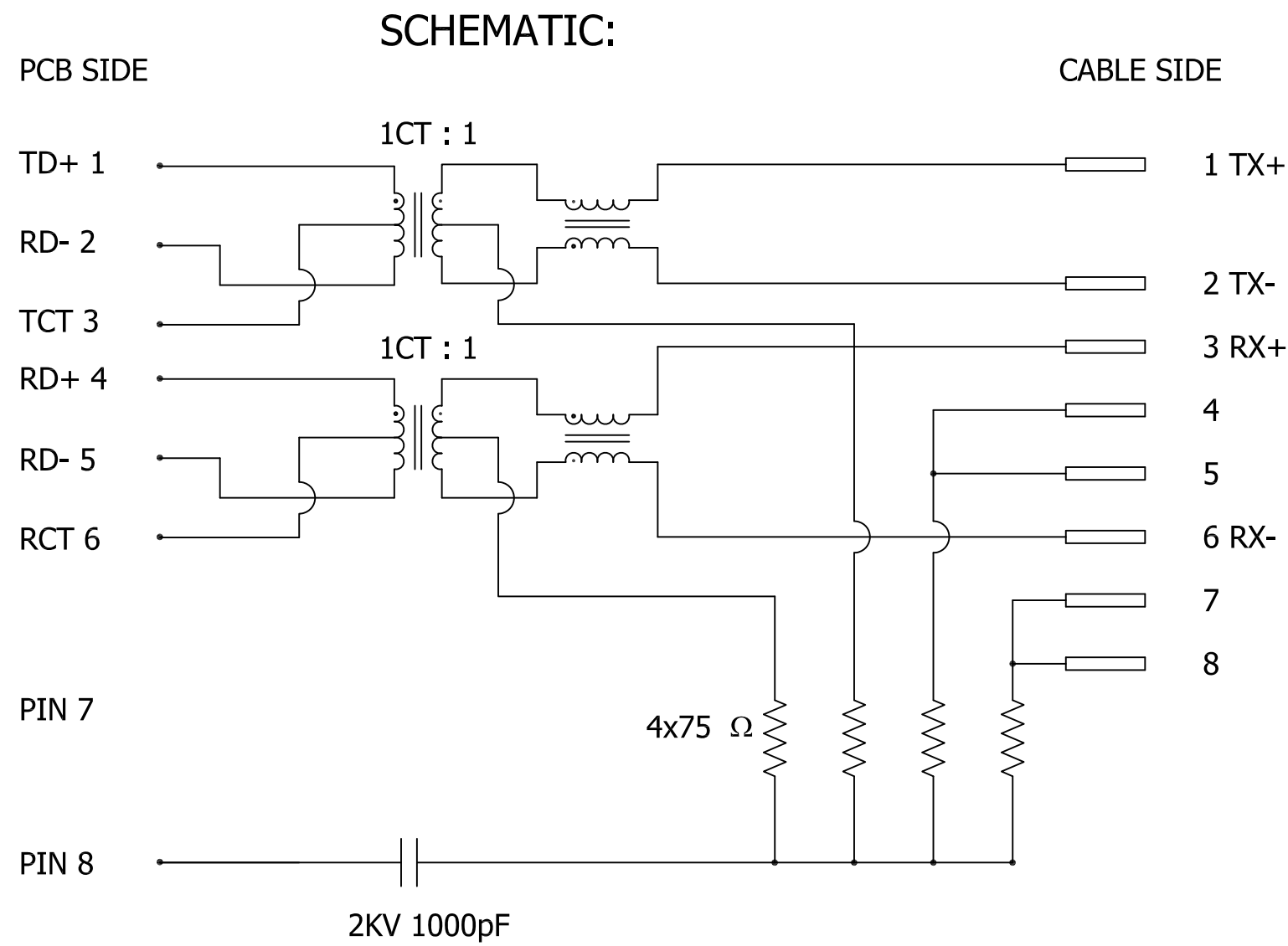
RECOMMENDED P.C.B LAYOUT
TOLERANCE:±0.05 [.002]



RoHS COMPLIANT

UNLESS OTHERWISE SPECIFIED: DIMENSIONS ARE IN MM[INCHES]		DRAWN	DATE	NAME	
TOLERANCES: .X=± 0.25 [.01] .XX= ± 0.15 [.006] .XXX= ± 0.10 [.0040]			08/01/2011	GC	
INTERPRET DIMENSIONS AND TOLERANCING PER: ASME Y14.5M-2009		<small>THE INFORMATION HEREIN CONTAINS PROPRIETARY INFORMATION OF SULLINS ELECTRONICS AND IS NOT TO BE REPRODUCED, USED OR DISCLOSED TO OTHERS FOR ANY PURPOSE EXCEPT AS SPECIFICALLY AUTHORIZED IN WRITING BY AN OFFICER OF SULLINS ELECTRONICS.</small>			TITLE
					1x1 TAB UP RJ45 10/100 BASE-T WITHOUT LED
					PART NUMBER
					SMJ102-S88I-DS-11
SIZE	CAGE CODE	DWG. NO.	REV		
C	54453	11820	A		
SCALE: 4:1				SHEET 1 OF 2	

REVISIONS				
REV.	ECO. NO	DESCRIPTION	DATE	BY
A	2406	INITIAL RELEASE	08/01/2011	GC



NOTES:

1.MATERIAL:

Plastic Housing:
 RJ Housing: NY46,UL94V-0 ,Black
 Transformer Housing:Phenolic ,UL94v-0 ,Black
 Terminals:
 RJ Contacts:0.25mm Thickness,Phosphor Bronze C5191H
 RJ Solder pin:∅0.46mm ,Phosphor Bronze C5191H
 Shields:
 Shell:0.2mm Thickness,Brass C2680H
 PCB:FR-4 Two layer PCB

2.PLATING:

RJ Contact: .000050" min. Nickel underplate,
 .000006" min gold on contact surface,
 .000050" min Tin on termination.
 RJ Solder pin:Pre-soldering on soldertail,
 .000030" min nickel underplate.

Shell: .000030" min Nickel overall, Pre-soldering on ground legs

3.RoHS Compliance per EU Directive 2002/95/EC

4.Transmitter & Receiver Filter:

Insertion Loss (dB Max)	Return Loss at 100Ω (dB Max)			
	1~100MHz	1~30MHz	30~60MHz	60~80MHz
-1.0	-18	-16	-12	

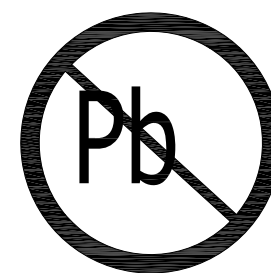
5.Common Mode Rejection @ 1~100 MHz: -30dB MIN

6.Cross Talk @ 1~100 MHz: -35dB MIN

7.Inductance @ 100KHz/ 0.1V, 8mA DC BIAS: 350uH MIN

8.HiPot Test: 1500Vrms, 60sec

9.Operating Temperature Range:0°C TO +70°C



RoHS COMPLIANT

UNLESS OTHERWISE SPECIFIED: DIMENSIONS ARE IN MM[INCHES]	DRAWN	DATE	NAME	
		08/01/2011	GC	
TOLERANCES: .X=± 0.25 [.01] .XX= ± 0.15 [.006] .XXX= ± 0.10 [.0040]	THE INFORMATION HEREIN CONTAINS PROPRIETARY INFORMATION OF SULLINS ELECTRONICS AND IS NOT TO BE REPRODUCED, USED OR DISCLOSED TO OTHERS FOR ANY PURPOSE EXCEPT AS SPECIFICALLY AUTHORIZED IN WRITING BY AN OFFICER OF SULLINS ELECTRONICS.			
	TITLE 1x1 TAB UP RJ45 10/100 BASE-T WITHOUT LED PART NUMBER SMJ102-S88I-DS-11			
INTERPRET DIMENSIONS AND TOLERANCING PER: ASME Y14.5M-2009	SIZE	CAGE CODE	DWG. NO.	REV
	C	54453	11820	A
	SCALE: 4:1			SHEET 2 OF 2