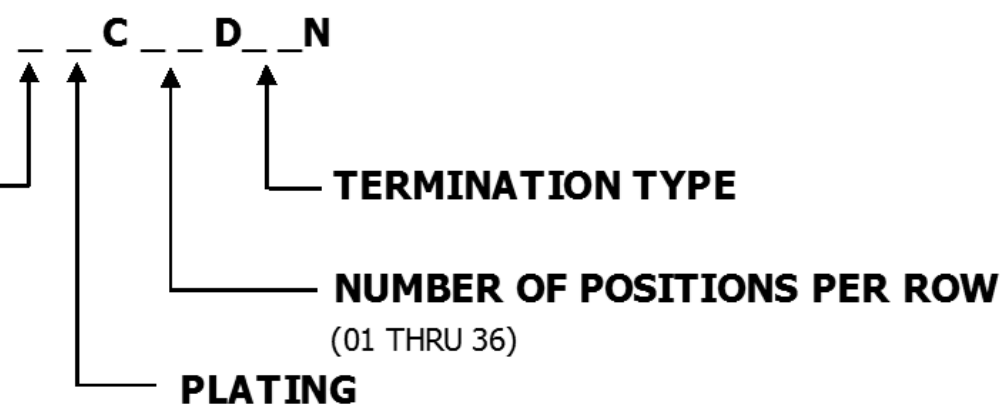


PART NUMBER CODING



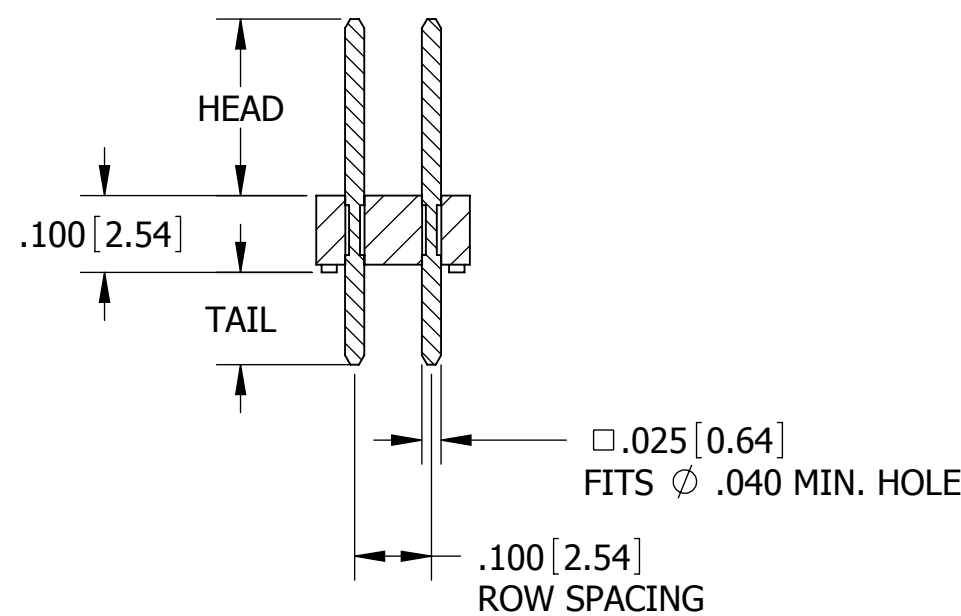
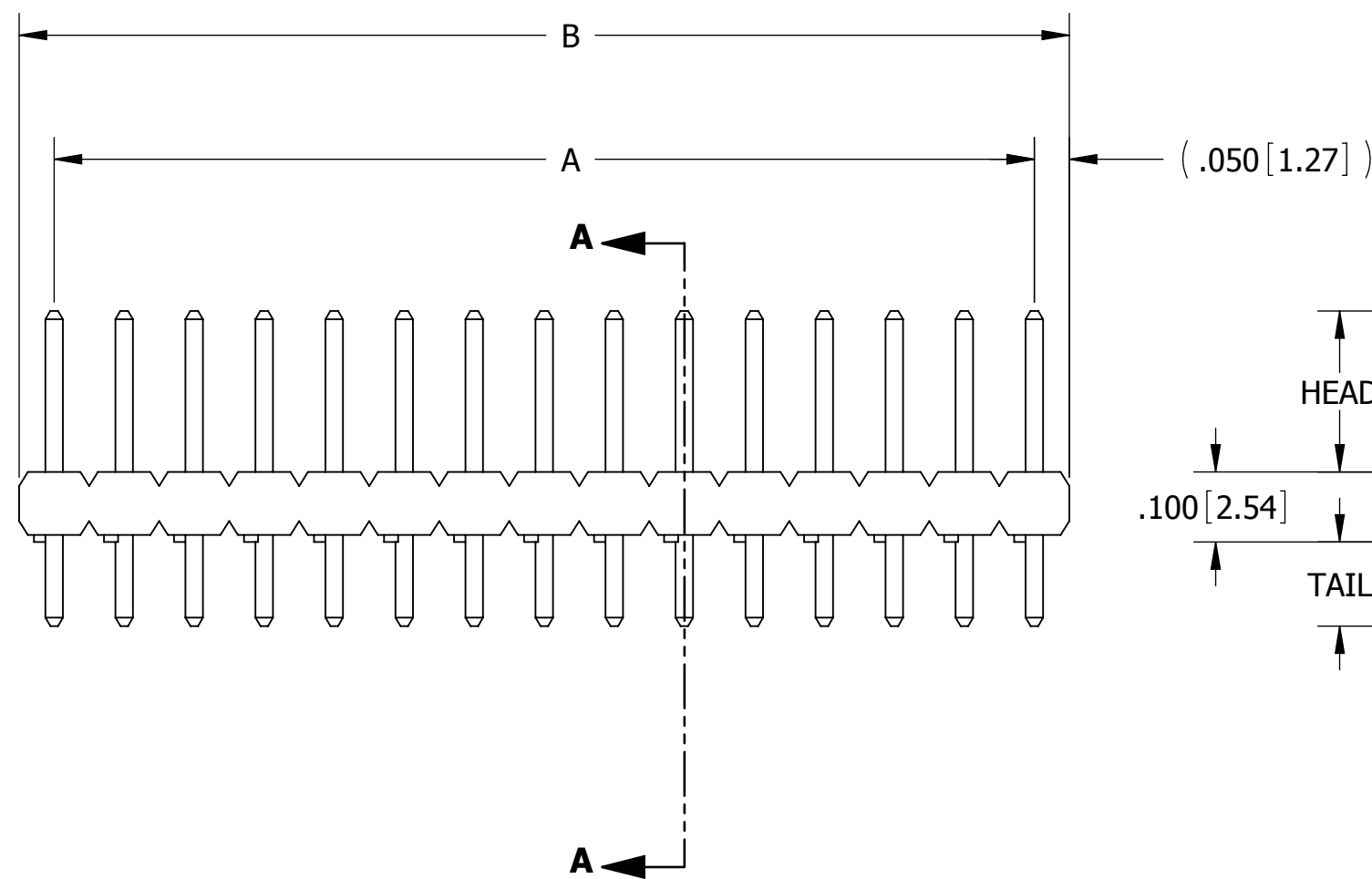
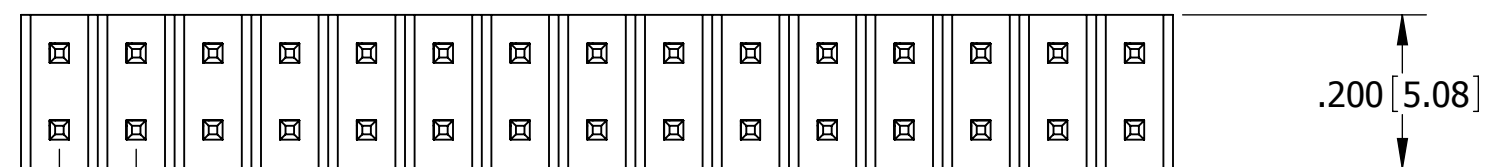
MATERIAL (INSULATOR / CONTACT)

P= PBT / PHOSPHOR BRONZE
 OPERATING TEMP: -65°C TO +125°C
 PROCESSING TEMP: WAVE ONLY

G= PA9T / PHOSPHOR BRONZE
 OPERATING TEMP: -65°C TO +150°C
 PROCESSING TEMP: 260°C FOR 10 SECS MAX

PLATING
 ALL PLATINGS HAVE .000050" NICKEL UNDERPLATE

CONTACT SURFACE	TERMINATION
B = .000010" GOLD	.000100" PURE TIN, MATTE
C = .000030" GOLD	.000100" PURE TIN, MATTE
E = .000100" PURE TIN, MATTE OVERALL	



G _ C _ _ D _ _ N ; P _ C _ _ D _ _ N
STRAIGHT

REVISIONS				
REV.	ECO. NO	DESCRIPTION	DATE	BY
C	1062	UPDATE DWG. AND TABLES, MOVED RA TERMINATION TO PAGE 2	06/19/2006	HT
D	1062	UPDATE DWG.	3/15/2007	SB
E	2078	UPDATE TEMPERATURE TO 150°C FOR 'G' MTL, CORRECT NOTE 6 & 7, ADD NEW TERMINATION TYPE AI, AJ, AK, FF, FG, FH, FI, FJ, ZB, ZI, ZJ, ZO, ZQ, ZR, COMBINED 'P' MTL IN P/N CODING (DWG 10726, 10167 OBSOLETE)	11/12/2009	JH
F	2442	UPDATE PROCESSING TIME FOR 'G' MTL, VOLTAGE RATING, REMOVE MOISTURE NOTE, PROCESSING TEMP FOR 'P' MTL	9/8/2011	JH

TERMINATION TYPE		
STRAIGHT		
CODE	HEAD DIMENSION ±.008 [0.20]	TAIL DIMENSION ±.010 [0.25]
AA	.230[5.84]	.120[3.05]
AB	.230[5.84]	.230[5.84]
AC	.230[5.84]	.320[8.13]
AD	.230[5.84]	.420[10.67]
AE	.230[5.84]	.520[13.21]
AF	.230[5.84]	.620[15.75]
AG	.230[5.84]	.720[18.29]
AH	.230[5.84]	.820[20.83]
AI	.230[5.84]	.900[22.86]
AJ	.230[5.84]	1.000[25.40]
AK	.230[5.84]	.035[0.89]
FA	.318[8.08]	.120[3.05]
FB	.318[8.08]	.220[5.59]
FC	.318[8.08]	.320[8.13]
FD	.318[8.08]	.420[10.67]
FE	.318[8.08]	.520[13.21]
FF	.318[8.08]	.620[15.75]
FG	.318[8.08]	.710[18.03]
FH	.318[8.08]	.810[20.57]
FI	.318[8.08]	.910[23.11]
FJ	.318[8.08]	.050[1.27]
ZA	.120[3.05]	.120[3.05]
ZB	.120[3.05]	.095[2.41]
ZC	.120[3.05]	.260[6.60]
ZD	.120[3.05]	.610[15.49]
ZI	.520[13.21]	.110[2.79]
ZJ	.720[18.29]	.110[2.79]
ZO	.820[20.83]	.110[2.79]
ZQ	1.020[25.91]	.110[2.79]
ZR	1.220[30.99]	.110[2.79]

PART NUMBER	A		B	
	INCH ±.008	MM ±0.20	INCH ±.020	MM ±0.51
--C01D_N	0.000	0.00	0.100	2.54
--C02D_N	0.100	2.54	0.200	5.08
--C03D_N	0.200	5.08	0.300	7.62
--C04D_N	0.300	7.62	0.400	10.16
--C05D_N	0.400	10.16	0.500	12.70
--C06D_N	0.500	12.70	0.600	15.24
--C07D_N	0.600	15.24	0.700	17.78
--C08D_N	0.700	17.78	0.800	20.32
--C09D_N	0.800	20.32	0.900	22.86
--C10D_N	0.900	22.86	1.000	25.40
--C11D_N	1.000	25.40	1.100	27.94
--C12D_N	1.100	27.94	1.200	30.48
--C13D_N	1.200	30.48	1.300	33.02
--C14D_N	1.300	33.02	1.400	35.56
--C15D_N	1.400	35.56	1.500	38.10
--C16D_N	1.500	38.10	1.600	40.64
--C17D_N	1.600	40.64	1.700	43.18
--C18D_N	1.700	43.18	1.800	45.72
--C19D_N	1.800	45.72	1.900	48.26
--C20D_N	1.900	48.26	2.000	50.80
--C21D_N	2.000	50.80	2.100	53.34
--C22D_N	2.100	53.34	2.200	55.88
--C23D_N	2.200	55.88	2.300	58.42
--C24D_N	2.300	58.42	2.400	60.96
--C25D_N	2.400	60.96	2.500	63.50
--C26D_N	2.500	63.50	2.600	66.04
--C27D_N	2.600	66.04	2.700	68.58
--C28D_N	2.700	68.58	2.800	71.12
--C29D_N	2.800	71.12	2.900	73.66
--C30D_N	2.900	73.66	3.000	76.20
--C31D_N	3.000	76.20	3.100	78.74
--C32D_N	3.100	78.74	3.200	81.28
--C33D_N	3.200	81.28	3.300	83.82
--C34D_N	3.300	83.82	3.400	86.36
--C35D_N	3.400	86.36	3.500	88.90
--C36D_N	3.500	88.90	3.600	91.44

- NOTES:**
- INSULATOR MATERIAL: SEE PART NUMBER CODING
 - CONTACT MATERIAL: SEE PART NUMBER CODING
 - PLATING: SEE PART NUMBER CODING
 - UL FLAMMABILITY RATING: 94V-0
 - VOLTAGE RATING: 750 VAC MINIMUM AT SEA LEVEL.
 - CURRENT RATING: 3 AMPS
 - CONTACT RESISTANCE: 30 MILLIOHMS MAX.
 - INSULATION RESISTANCE: 5000 MEGOHMS MIN.

CUSTOMER COPY



UNLESS OTHERWISE SPECIFIED: DIMENSIONS ARE IN INCHES [MM]		DRAWN	DATE	NAME			
TOLERANCES: ANGULAR: ± 1° DECIMALS .XX = ± .02 [.5] .XXX = ± .005 [.13] .XXXX = ± .0005 [.013]			9/8/2011	JH		TITLE .100" MALE HEADER, STRAIGHT	
THE INFORMATION HEREIN CONTAINS PROPRIETARY INFORMATION OF SULLINS ELECTRONICS AND IS NOT TO BE REPRODUCED, USED OR DISCLOSED TO OTHERS FOR ANY PURPOSE EXCEPT AS SPECIFICALLY AUTHORIZED IN WRITING BY AN OFFICER OF SULLINS ELECTRONICS.		PART NUMBER G _ C _ _ D _ _ N ; P _ C _ _ D _ _ N		SIZE C	CAGE CODE 54453	DWG. NO. C10419	REV F
SCALE: 4:1		SHEET 1 OF 1		FILE NAME: C10419, G_C_ _ D_ _ N, P_C_ _ D_ _ N, STRAIGHT			