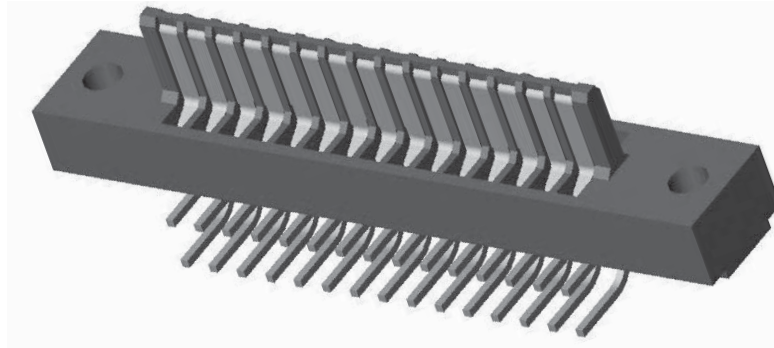




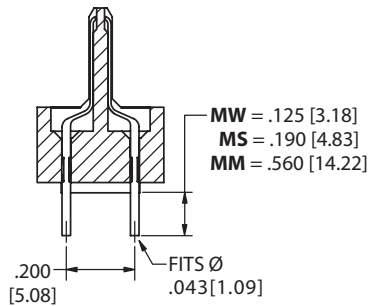
SPECIFICATIONS

- Compatible with .431" or .610" Insulator Height Edgecards
- Mates in place of .062" [1.57] PCB
- PBT or PA9T insulator
- 3 amp current rating per contact
- 30 milli ohm maximum at rated current
- Consult Factory for other Contact Centers

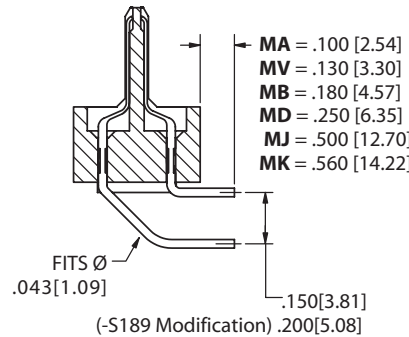


Sullins Edgecards

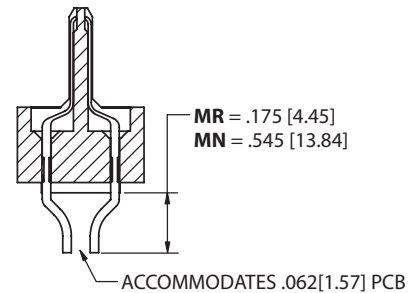
TERMINATION TYPE



**DIP SOLDER (MW, MS)
WIRE WRAP (MM)**

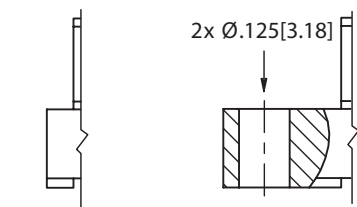


**RIGHT ANGLE
(MA, MV, MB, MD, MJ, MK)**

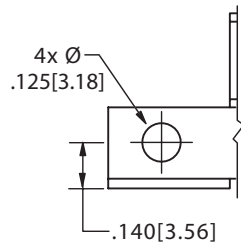


**CARD EXTENDER
(MR, MN)**

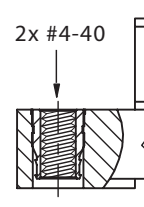
MOUNTING STYLE



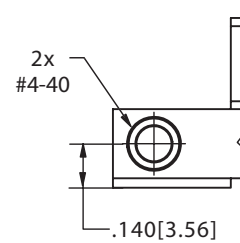
**NO MOUNTING (N)
FLUSH with CLEARANCE HOLES (D)**



FLUSH, SIDE MOUNTING with CLEARANCE HOLES (Z)



FLUSH with THREADED INSERT (T)



FLUSH, with SIDE MOUNTED THREADED INSERT (V)



.100" [2.54mm] Contact Centers, .540" [13.72mm] Insulator Height, Male Edgecard, Dip Solder/Right Angle/Card Extender

Sullins Edgecards

PART NUMBER CODING

E B C 25 M MW D - Sxxx

MATERIALS (Insulator/Contact)
 E = PBT/Phosphor Bronze
 Operating Temperature: -65°C to 125°C
 Processing Temperature: 260°C for 10 seconds Max.
 G = PA9T/Phosphor Bronze
 Operating Temperature: -65°C to 150°C
 Processing Temperature: 260°C for 120 seconds Max.

CONTACT FINISH - RoHS Compliant
All platings are Lead Free and have .000050" Nickel underplate

| Contact Surface | | Termination |
|-------------------|--|--------------------------|
| B = .000010" Gold | | .000100" Pure Tin, Matte |
| C = .000030" Gold | | .000100" Pure Tin, Matte |
| Y = .000030" Gold | | .000005" Gold |

CONTACT CENTERS
 C = .100" [2.54mm]

NUMBER OF CONTACT POSITIONS
 04 thru 60 Positions (Contact Factory for Positions Not Shown)

MODIFICATIONS (Consult Factory)
 Omit for Standard
 -S189 = .200" Row Spacing (Right Angle Only)

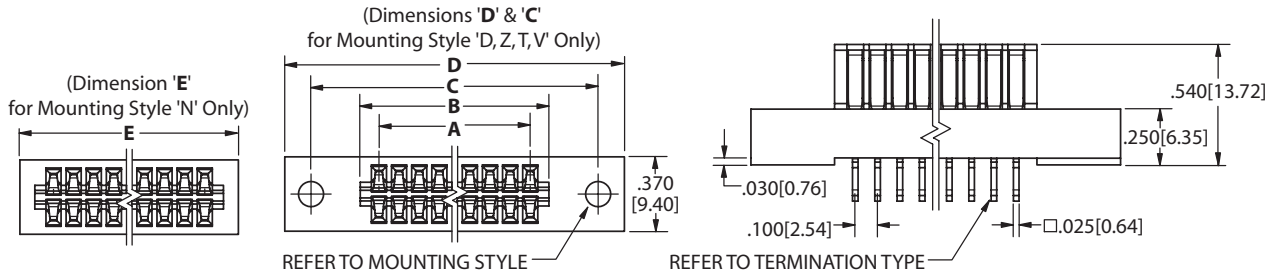
MOUNTING STYLE (Opposite Page)
 N = No Mounting
 D = .250" Ears, Flush Mounting, .125" [3.18mm] Dia
 Z = .250" Ears, Flush, Side Mounting
 T = .250" Ears, Flush Mounting, #4-40 Threaded Insert
 V = Flush, Side Mounting, #4-40 Threaded Insert

TERMINATION TYPE (Opposite Page)
 MW, MS = Dip Solder
 MM = Wire Wrap
 MA, MV, MB = Right Angle
 MD, MJ, MK = Right Angle
 MR, MN = Card Extender

M = Male Edgecard

DIMENSIONS

Dimensions in [] are in millimeters, all others are in inches.



| POSITIONS/ CONTACTS | INCHES | | | | | [MILLIMETERS] | | | | |
|------------------------|--------|--------|--------|--------|-------------------------|---------------|--------|--------|--------|-------------------------|
| | A±.008 | B±.008 | C±.010 | D±.020 | E±.020 'N' Mtg. Only | A±0.20 | B±0.20 | C±0.25 | D±0.51 | E±0.51 'N' Mtg. Only |
| 04/08 | 0.300 | 0.486 | 0.975 | 1.236 | 0.656 | 7.62 | 12.34 | 24.77 | 31.39 | 16.66 |
| 05/10 | 0.400 | 0.586 | 1.075 | 1.336 | 0.756 | 10.16 | 14.88 | 27.31 | 33.93 | 19.20 |
| 06/12 | 0.500 | 0.686 | 1.175 | 1.436 | 0.856 | 12.70 | 17.42 | 29.85 | 36.47 | 21.74 |
| 07/14 | 0.600 | 0.786 | 1.275 | 1.536 | 0.956 | 15.24 | 19.96 | 32.39 | 39.01 | 24.28 |
| 08/16 | 0.700 | 0.886 | 1.375 | 1.636 | 1.056 | 17.78 | 22.50 | 34.93 | 41.55 | 26.82 |
| 10/20 | 0.900 | 1.086 | 1.575 | 1.836 | 1.256 | 22.86 | 27.58 | 40.01 | 46.63 | 31.90 |
| 12/24 | 1.100 | 1.286 | 1.775 | 2.036 | 1.456 | 27.94 | 32.66 | 45.09 | 51.71 | 36.98 |
| 13/26 | 1.200 | 1.386 | 1.875 | 2.136 | 1.556 | 30.48 | 35.20 | 47.63 | 54.25 | 39.52 |
| 15/30 | 1.400 | 1.586 | 2.075 | 2.336 | 1.756 | 35.56 | 40.28 | 52.71 | 59.33 | 44.60 |
| 17/34 | 1.600 | 1.786 | 2.275 | 2.536 | 1.956 | 40.64 | 45.36 | 57.79 | 64.41 | 49.68 |
| 18/36 | 1.700 | 1.886 | 2.375 | 2.636 | 2.056 | 43.18 | 47.90 | 60.33 | 66.95 | 52.22 |
| 19/38 | 1.800 | 1.986 | 2.475 | 2.736 | 2.156 | 45.72 | 50.44 | 62.87 | 69.49 | 54.76 |
| 20/40 | 1.900 | 2.086 | 2.575 | 2.836 | 2.256 | 48.26 | 52.98 | 65.41 | 72.03 | 57.30 |
| 22/44 | 2.100 | 2.286 | 2.775 | 3.036 | 2.456 | 53.34 | 58.06 | 70.49 | 77.11 | 62.38 |
| 23/46 | 2.200 | 2.386 | 2.875 | 3.136 | 2.556 | 55.88 | 60.60 | 73.03 | 79.65 | 64.92 |
| 24/48 | 2.300 | 2.486 | 2.975 | 3.236 | 2.656 | 58.42 | 63.14 | 75.57 | 82.19 | 67.46 |
| 25/50 | 2.400 | 2.586 | 3.075 | 3.336 | 2.756 | 60.96 | 65.68 | 78.11 | 84.73 | 70.00 |
| 28/56 | 2.700 | 2.886 | 3.375 | 3.636 | 3.056 | 56.58 | 73.30 | 85.73 | 92.35 | 77.62 |
| 30/60 | 2.900 | 3.086 | 3.575 | 3.836 | 3.256 | 73.66 | 78.38 | 90.81 | 97.43 | 82.70 |
| 31/62 | 3.000 | 3.186 | 3.675 | 3.936 | 3.356 | 76.20 | 80.92 | 93.35 | 99.97 | 85.24 |
| 35/70 | 3.400 | 3.586 | 4.075 | 4.336 | 3.756 | 86.36 | 91.08 | 103.51 | 110.13 | 95.40 |
| 36/72 | 3.500 | 3.686 | 4.175 | 4.436 | 3.856 | 88.90 | 93.62 | 106.05 | 112.67 | 97.94 |
| 40/80 | 3.900 | 4.086 | 4.575 | 4.836 | 4.256 | 99.06 | 103.78 | 116.21 | 122.83 | 108.10 |
| 43/86 | 4.200 | 4.386 | 4.875 | 5.136 | 4.556 | 106.68 | 111.40 | 123.83 | 130.45 | 115.72 |
| 44/88 | 4.300 | 4.486 | 4.975 | 5.236 | 4.656 | 109.22 | 113.94 | 126.37 | 132.99 | 118.26 |
| 49/98 | 4.800 | 4.986 | 5.475 | 5.736 | 5.156 | 121.92 | 126.64 | 139.07 | 145.69 | 130.96 |
| 50/100 | 4.900 | 5.086 | 5.575 | 5.836 | 5.256 | 124.46 | 129.18 | 141.61 | 148.23 | 133.50 |
| 52/104 | 5.100 | 5.286 | 5.775 | 6.036 | 5.456 | 129.54 | 134.26 | 146.69 | 153.31 | 138.58 |
| 55/110 | 5.400 | 5.586 | 6.075 | 6.336 | 5.756 | 137.16 | 141.88 | 154.31 | 160.93 | 146.20 |
| 56/112* | 5.500 | 5.686 | 6.175 | 6.436 | 5.856 | 139.70 | 144.42 | 156.85 | 163.47 | 148.74 |
| 57/114* | 5.600 | 5.786 | 6.275 | 6.536 | 5.956 | 142.24 | 146.96 | 159.39 | 166.01 | 151.28 |
| 58/116* | 5.700 | 5.886 | 6.375 | 6.636 | 6.056 | 144.78 | 149.50 | 161.93 | 168.55 | 153.82 |
| 59/118* | 5.800 | 5.986 | 6.475 | 6.736 | 6.156 | 147.32 | 152.04 | 164.47 | 171.09 | 156.36 |
| 60/120* | 5.900 | 6.086 | 6.575 | 6.836 | 6.256 | 149.86 | 154.58 | 167.01 | 173.63 | 158.90 |

* Available in 'N' Mounting Only