

**MATERIAL (INSULATOR/CONTACT)**  
**E = PBT/PHOSPHOR BRONZE**  
 OPERATING TEMP: -65°C TO +125°C  
 PROCESSING TEMP: 260°C FOR 10 SECS MAX  
**R = PPS/PHOSPHOR BRONZE**  
 OPERATING TEMP: -65°C TO +125°C  
 PROCESSING TEMP: 260°C FOR 120 SECS MAX  
**G = PA9T/PHOSPHOR BRONZE**  
 OPERATING TEMP: -65°C TO +125°C  
 PROCESSING TEMP: 260°C FOR 120 SECS MAX  
 (CONSULT FACTORY FOR OTHER MATERIALS)

**PLATING**  
 ALL PLATINGS HAVE .000050" NICKEL UNDERPLATE

	CONTACT SURFACE	TERMINATION
B =	.000010" GOLD	.000100" PURE TIN, MATTE
C =	.000030" GOLD	.000100" PURE TIN, MATTE

**PART NUMBER CODING**  
 C D -S1441

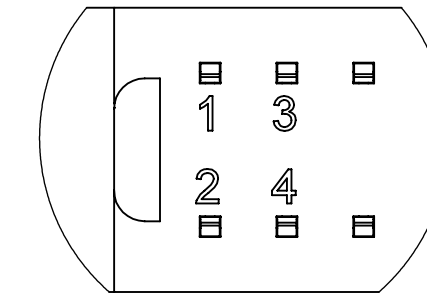
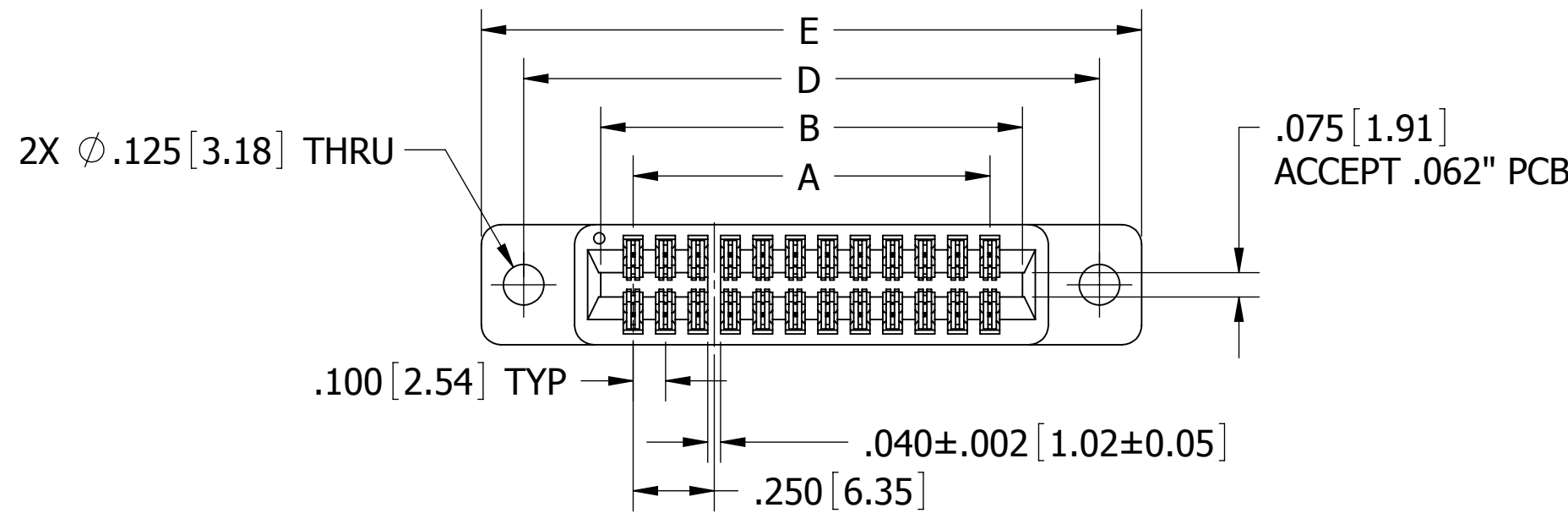
**MOUNTING STYLE**  
 H = .125 DIA. CLEARANCE HOLES (PAGE 1)  
 I = #4-40 THREADED INSERT (PAGE 2)  
 S = .125 DIA. SIDE MOUNTING (PAGE 2)  
 N = NO MOUNTING EARS (PAGE 2)  
 B = OPEN CARD SLOT (PAGE 2)  
 D, W = FLUSH MOUNTING (PAGE 2)  
 T, X = FLUSH MOUNTING WITH THREADED INSERT (PAGE 2)

**TERMINATION TYPE (LENGTH)**  
 CW = .125" (SEE SECTION A-A FOR DETAILS)  
 CT = .170" (SEE SECTION A-A FOR DETAILS)

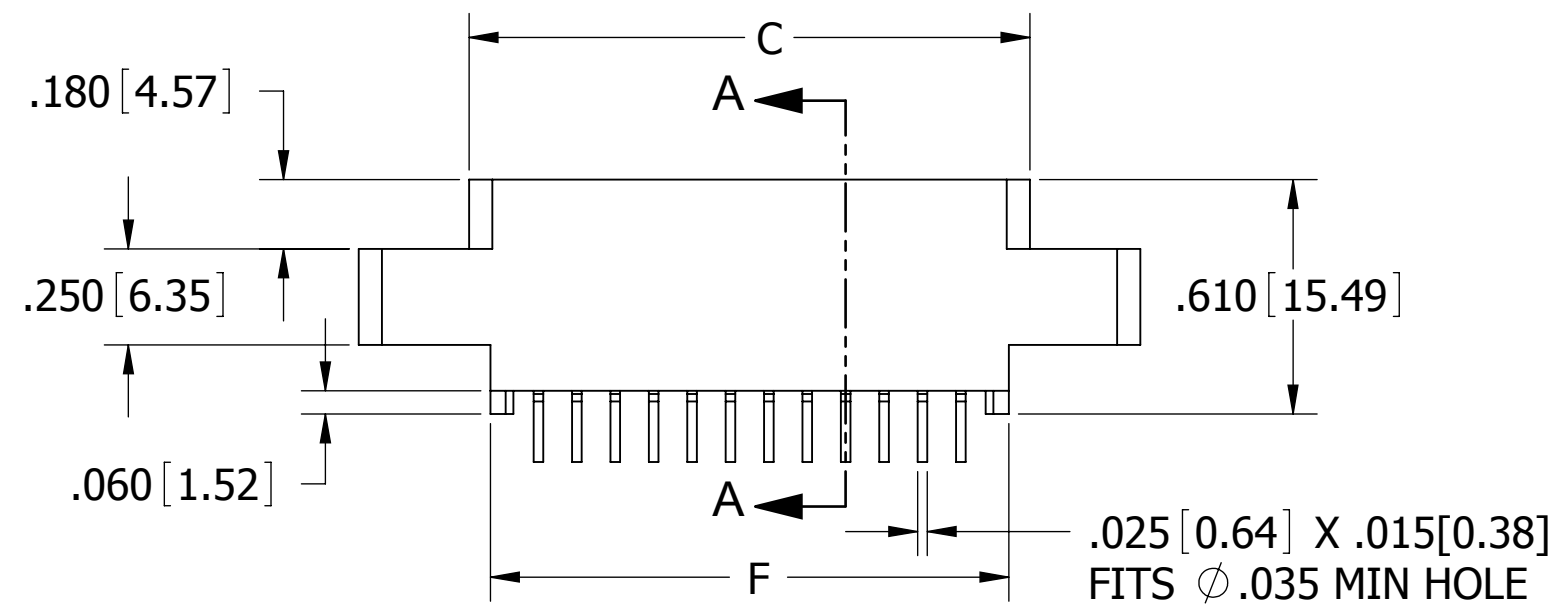
**NUMBER OF POSITIONS**  
 (CONTACTS PER ROW)

REVISIONS				
REV.	ECO. NO	DESCRIPTION	DATE	BY
-		INITIAL RELEASE	4/02/2010	JH

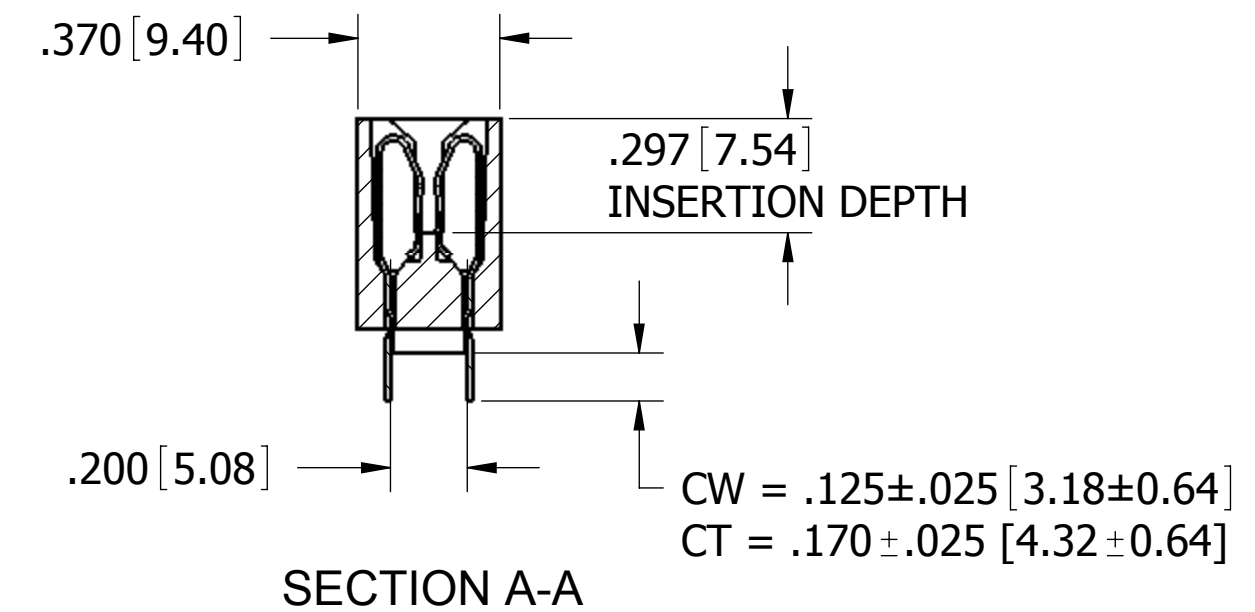
**PRELIMINARY**



DETAIL CONTACT ID



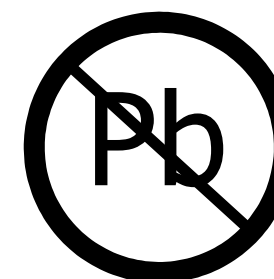
C DCWH-S1441  
 C DCTH-S1441  
 (12-POSITION AS SHOWN)



SECTION A-A

**NOTES:**

- INSULATOR MATERIAL: SEE PART NUMBER CODING
- CONTACT MATERIAL: SEE PART NUMBER CODING
- PLATING: SEE PART NUMBER CODING
- TEMPERATURE: SEE PART NUMBER CODING
- PROCESSING TEMP: SEE PART NUMBER CODING
- UL FLAMMABILITY RATING: 94V-0
- VOLTAGE RATING: 600 VDC MINIMUM AT SEA LEVEL.
- CURRENT RATING: 3 AMPS PER CONTACT
- CONTACT RESISTANCE: 30 MILLI OHMS MAX
- INSULATION RESISTANCE: 5000 MEGA OHM MIN
- DURABILITY: 500 CYCLES MIN
- CONNECTOR IDENTIFICATION: THE PART SHALL BE MARKED WITH A PART NUMBER AND BARCODE
- BOARD THICKNESS ACCOMMODATED: .062 ± .008"
- BOARD INSERTION FORCE: 16 OZ MAX PER CONTACT PAIR WHEN USING A .062" TEST BLADE. INTERNAL INSPECTION TO BE PER SULLIN'S WORK INSTRUCTION W17.3-01.
- BOARD WITHDRAWAL FORCE: 1 OUNCE MINIMUM PER CONTACT PAIR USING .062" PCB
- MODIFICATION: MOLDED KEY .040 ± .002" THICK BETWEEN POSITION 3 AND 4

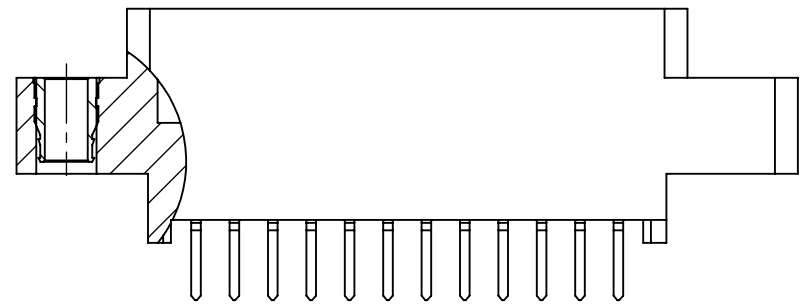
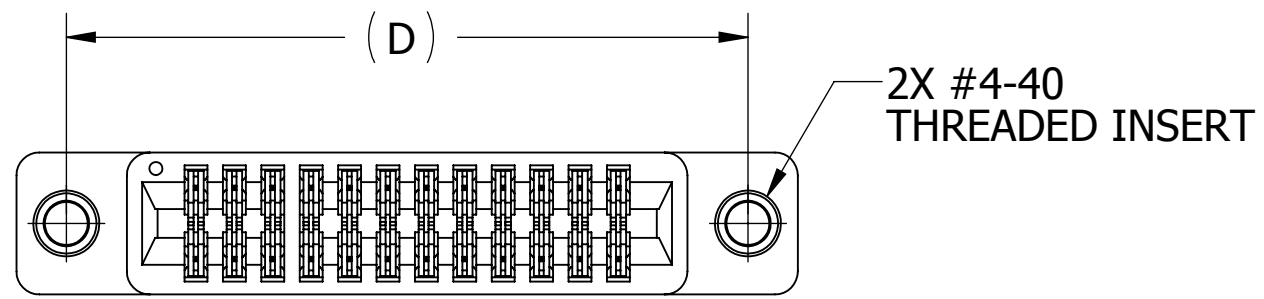


RoHS COMPLIANT

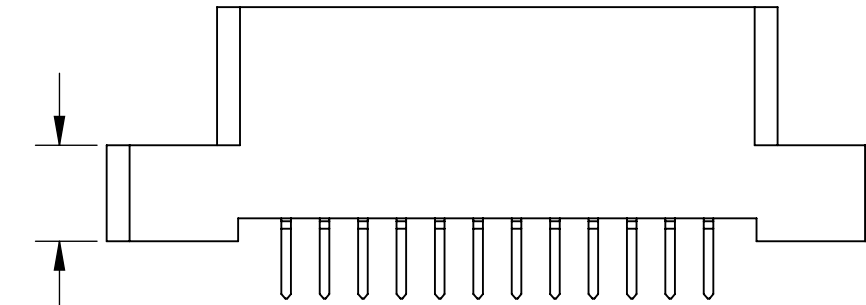
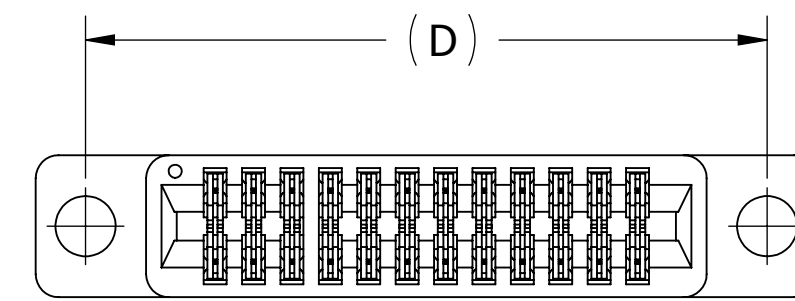
**CUSTOMER COPY**

UNLESS OTHERWISE SPECIFIED: DIMENSIONS ARE IN INCHES[MM] TOLERANCES: ANGULAR: ± 30' .XX=± .02 [.508] .XXX=± .005 [.1270] .XXXX=± .0005 [.0127] SURFACE FINISH: 63 Rg REMOVE ALL BURRS AND SHARP EDGES .010 MAX		DATE 4/2/2010	NAME JH	
THE INFORMATION HEREIN CONTAINS PROPRIETARY INFORMATION OF SULLINS ELECTRONICS AND IS NOT TO BE REPRODUCED, USED OR DISCLOSED TO OTHERS FOR ANY PURPOSE EXCEPT AS SPECIFICALLY AUTHORIZED IN WRITING BY AN OFFICER OF SULLINS ELECTRONICS.		DESCRIPTION EDGE CARD CONNECTOR .100 CC HP		
INTERPRET DIMENSIONS AND GEOMETRIC TOLERANCING PER: ANSI Y14.5M-1994		PART NUMBER C DCW (DCT) -S1441		SIZE C
		DWG. NO. C11474		REV -
		SCALE: 1:1		SHEET 1 OF 3

8 7 6 5 4 3 2 1

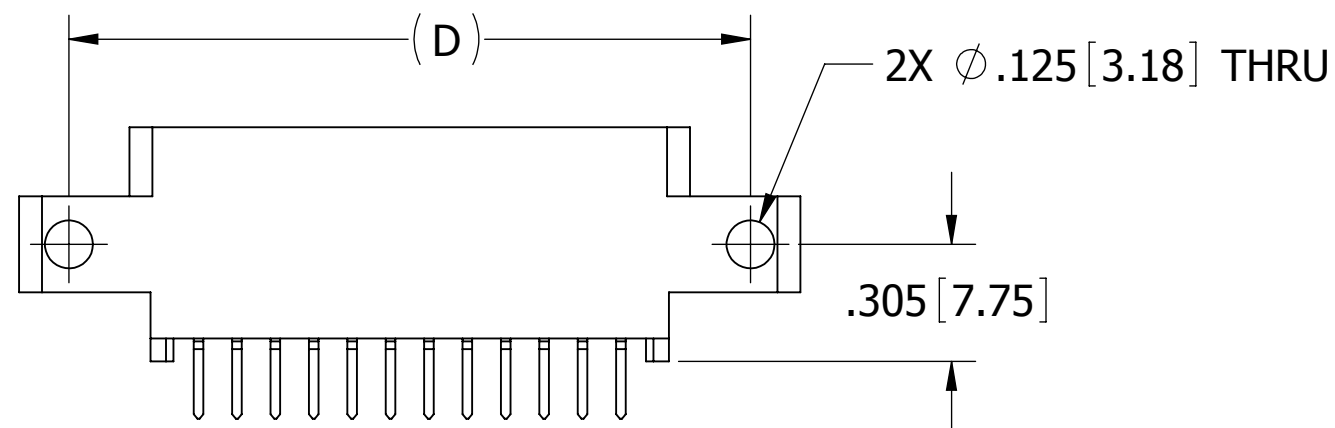
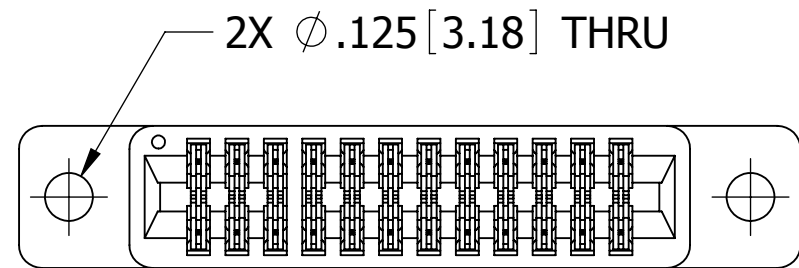


--- C --- **DCWI-S1441**  
--- C --- **DCTI-S1441**

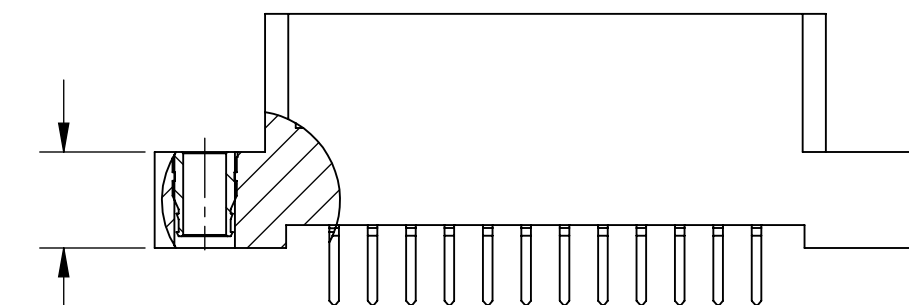
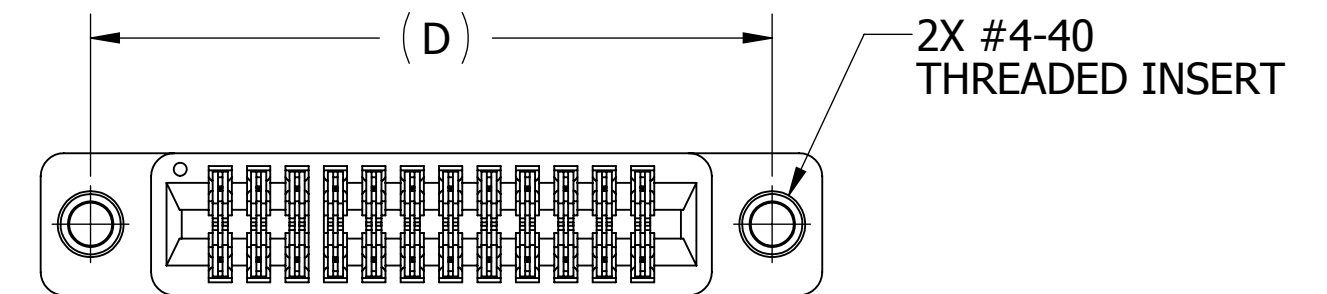


D = .250 [6.35]  
W = .430 [10.92]

--- C --- **DCWD-S1441**  
--- C --- **DCWW-S1441**  
--- C --- **DCTD-S1441**  
--- C --- **DCTW-S1441**

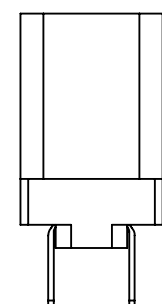
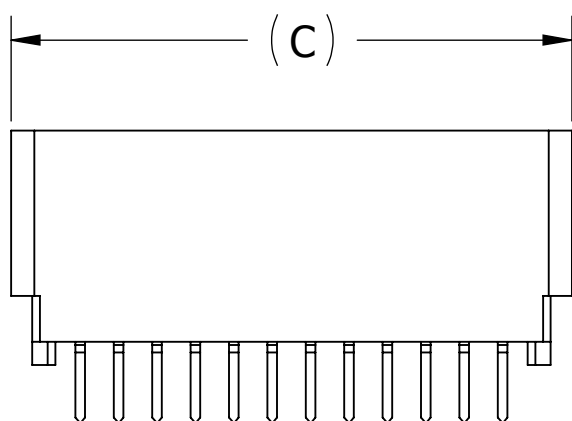
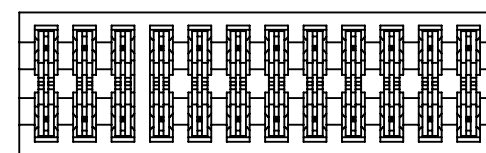
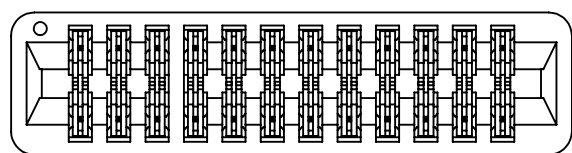


--- C --- **DCWS-S1441**  
--- C --- **DCTS-S1441**

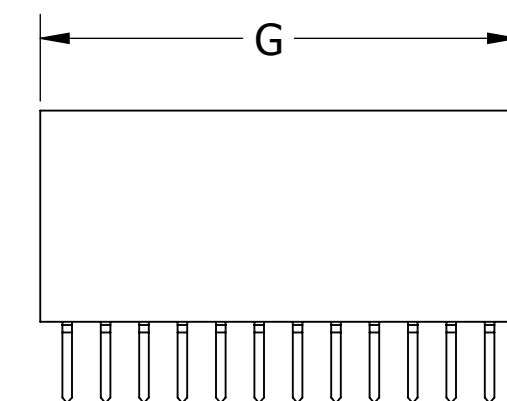


T = .250 [6.35]  
X = .430 [10.92]

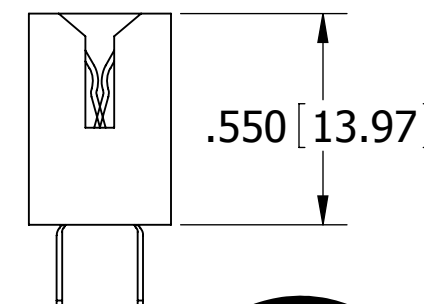
--- C --- **DCWT-S1441**  
--- C --- **DCWX-S1441**  
--- C --- **DCTT-S1441**  
--- C --- **DCTX-S1441**



--- C --- **DCWN-S1441**  
--- C --- **DCTN-S1441**



--- C --- **DCWB-S1441**  
--- C --- **DCTB-S1441**



**CUSTOMER COPY**

UNLESS OTHERWISE SPECIFIED:  
DIMENSIONS ARE IN INCHES[MM]  
TOLERANCES:  
ANGULAR:  $\pm$  30'  
.XX =  $\pm$  .02 [ .508]  
.XXX =  $\pm$  .005 [ .1270]  
.XXXX =  $\pm$  .0005 [ .0127]  
SURFACE FINISH: 63 R<sub>a</sub>  
REMOVE ALL BURRS AND SHARP EDGES .010 MAX

INTERPRET DIMENSIONS AND GEOMETRIC TOLERANCING PER: ANSI Y14.5M-1994

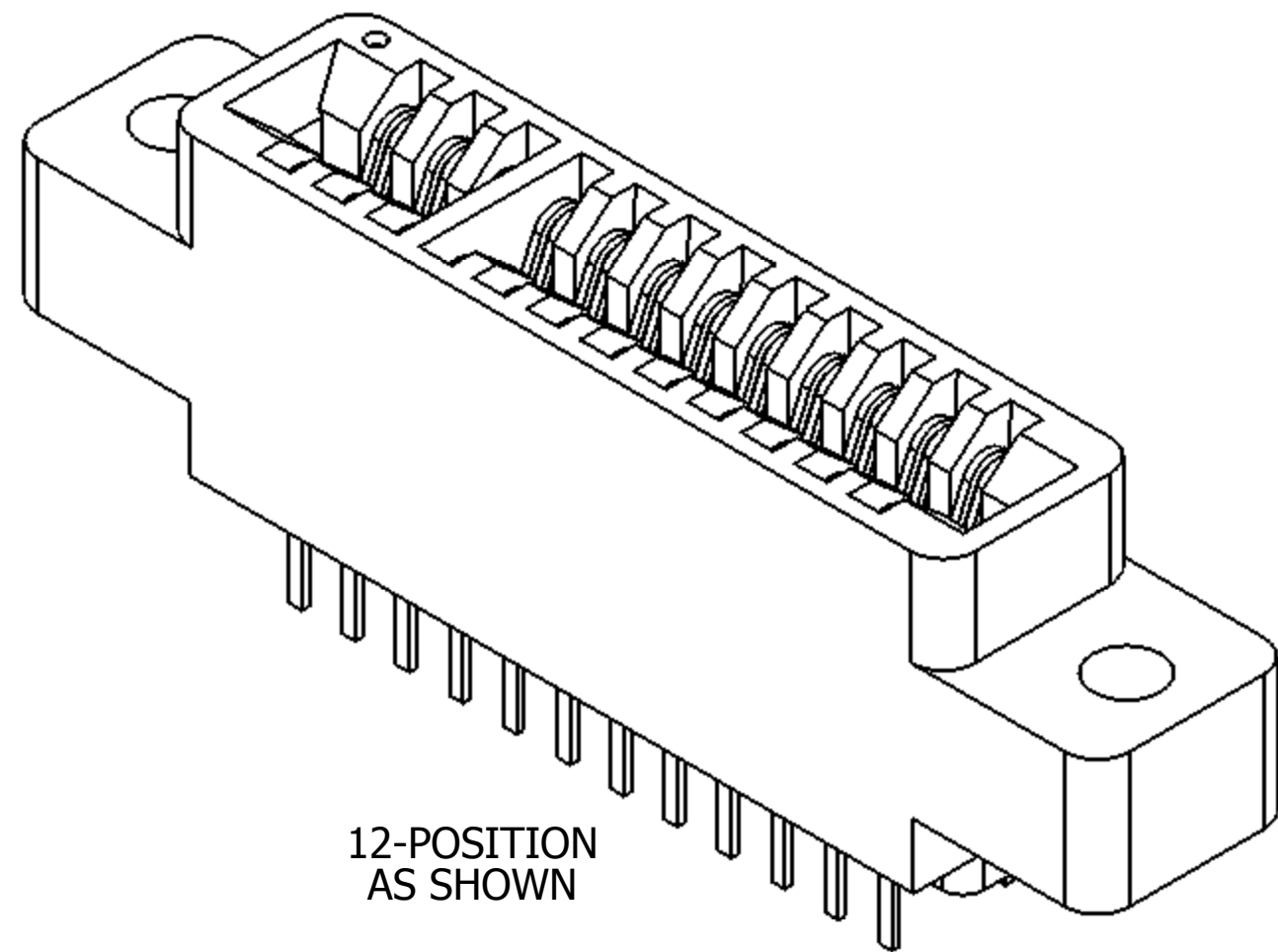
DATE	NAME
4/2/2010	JH

THE INFORMATION HEREIN CONTAINS PROPRIETARY INFORMATION OF SULLINS ELECTRONICS AND IS NOT TO BE REPRODUCED, USED OR DISCLOSED TO OTHERS FOR ANY PURPOSE EXCEPT AS SPECIFICALLY AUTHORIZED IN WRITING BY AN OFFICER OF SULLINS ELECTRONICS.

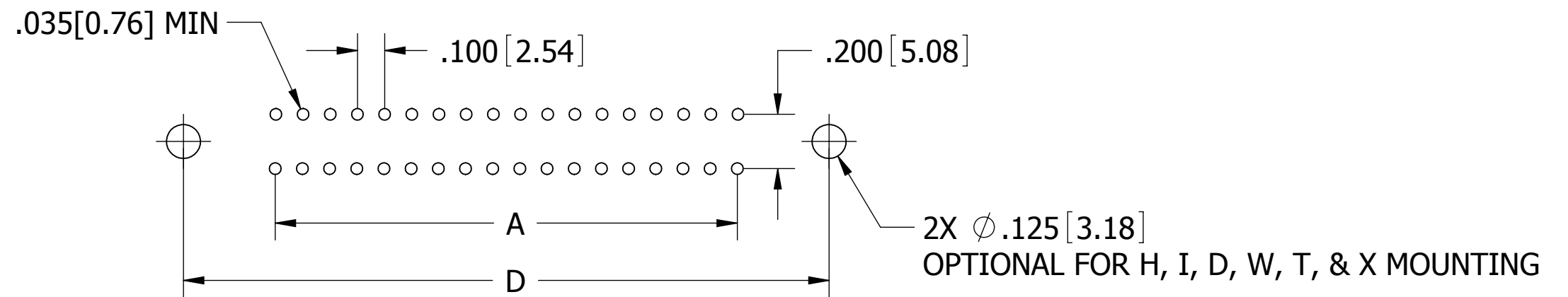
DESCRIPTION EDGE CARD CONNECTOR .100 CC HP	
PART NUMBER --- C --- <b>DCW (DCT) -S1441</b>	
SIZE <b>C</b>	DWG. NO. <b>C11474</b>
SCALE: 2:1	REV -
SHEET 2 OF 3	

PART NUMBER	NO. OF POS.	A±.008[0.20]		B±.008[0.20]		C±.015[0.38]		D±.010[0.25]		E±.020[0.51]		F±.005[0.13]		G±.015[0.38]	
		INCH	MM	INCH	MM	INCH	MM	INCH	MM	INCH	MM	INCH	MM	INCH	MM
C06D -S1441	6	0.500	12.70	0.700	17.78	0.860	21.84	1.175	29.85	1.435	36.45	0.750	19.05	0.640	16.26
C07D -S1441*	7	0.600	15.24	0.800	20.32	0.960	24.38	1.275	32.39	1.535	38.99	0.850	21.59	0.740	18.80
C08D -S1441	8	0.700	17.78	0.900	22.86	1.060	26.92	1.375	34.93	1.635	41.53	0.950	24.13	0.840	21.34
C10D -S1441	10	0.900	22.86	1.100	27.94	1.260	32.00	1.575	40.01	1.835	46.61	1.150	29.21	1.040	26.42
C12D -S1441	12	1.100	27.94	1.300	33.02	1.460	37.08	1.775	45.09	2.035	51.69	1.350	34.29	1.240	31.50
C13D -S1441	13	1.200	30.48	1.400	35.56	1.560	39.62	1.875	47.63	2.135	54.23	1.450	36.83	1.340	34.04
C15D -S1441	15	1.400	35.56	1.600	40.64	1.760	44.70	2.075	52.71	2.335	59.31	1.650	41.91	1.540	39.12
C17D -S1441	17	1.600	40.64	1.800	45.72	1.960	49.78	2.275	57.79	2.535	64.39	1.850	46.99	1.740	44.20
C18D -S1441	18	1.700	43.18	1.900	48.26	2.060	52.32	2.375	60.33	2.635	66.93	1.950	49.53	1.840	46.74
C20D -S1441	20	1.900	48.26	2.100	53.34	2.260	57.40	2.575	65.41	2.835	72.01	2.150	54.61	2.040	51.82
C22D -S1441	22	2.100	53.34	2.300	58.42	2.460	62.48	2.775	70.49	3.035	77.09	2.350	59.69	2.240	56.90
C24D -S1441	24	2.300	58.42	2.500	63.50	2.660	67.56	2.975	75.57	3.235	82.17	2.550	64.77	2.440	61.98
C25D -S1441	25	2.400	60.96	2.600	66.04	2.760	70.10	3.075	78.11	3.335	84.71	2.650	67.31	2.540	64.52
C28D -S1441	28	2.700	68.58	2.900	73.66	3.060	77.72	3.375	85.73	3.635	92.33	2.950	74.93	2.840	72.14
C30D -S1441	30	2.900	73.66	3.100	78.74	3.260	82.80	3.575	90.81	3.835	97.41	3.150	80.01	3.040	77.22
C31D -S1441	31	3.000	76.20	3.200	81.28	3.360	85.34	3.675	93.35	3.935	99.95	3.250	82.55	3.140	79.76
C35D -S1441	35	3.400	86.36	3.600	91.44	3.760	95.50	4.075	103.51	4.335	110.11	3.650	92.71	3.540	89.92
C36D -S1441	36	3.500	88.90	3.700	93.98	3.860	98.04	4.175	106.05	4.435	112.65	3.750	95.25	3.640	92.46
C40D -S1441	40	3.900	99.06	4.100	104.14	4.260	108.20	4.575	116.21	4.835	122.81	4.150	105.41	4.040	102.62
C43D -S1441	43	4.200	106.68	4.400	111.76	4.560	115.82	4.875	123.83	5.135	130.43	4.450	113.03	4.340	110.24
C44D -S1441	44	4.300	109.22	4.500	114.30	4.660	118.36	4.975	126.37	5.235	132.97	4.550	115.57	4.440	112.78
C49D -S1441*	49	4.800	121.92	5.000	127.00	5.160	131.06	5.475	139.07	5.735	145.67	5.050	128.27	4.940	125.48
C50D -S1441	50	4.900	124.46	5.100	129.54	5.260	133.60	5.575	141.61	5.835	148.21	5.150	130.81	5.040	128.02
C55D -S1441	55	5.400	137.16	5.600	142.24	5.760	146.30	6.075	154.31	6.335	160.91	5.650	143.51	5.540	140.72
C60D -S1441	60	5.900	149.86	6.100	154.94	6.260	159.00	6.575	167.01	6.835	173.61	6.150	156.21	6.040	153.42
C61D -S1441	61	6.000	152.40	6.200	157.48	6.360	161.54	6.675	169.55	6.935	176.15	6.250	158.75	6.140	155.96
C65D -S1441	65	6.400	162.56	6.600	167.64	6.760	171.70	7.075	179.71	7.335	186.31	6.650	168.91	6.540	166.12
C70D -S1441	70	6.900	175.26	7.100	180.34	7.260	184.40	7.575	192.41	7.835	199.01	7.150	181.61	7.040	178.82
C80D -S1441*	80	7.900	200.66	8.100	205.74	8.260	209.80	8.575	217.81	8.835	224.41	8.150	207.01	8.040	204.22
C90D -S1441*	90	8.900	226.06	9.100	231.14	9.260	235.20	9.575	243.21	9.835	249.81	9.150	232.41	9.040	229.62
C100D -S1441*	100	9.900	251.46	10.100	256.54	10.260	260.60	10.575	268.61	10.835	275.21	10.150	257.81	10.040	255.02

\* INDICATES NO TOOLING FOR THAT PART

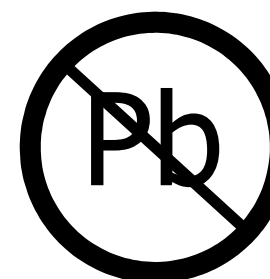


12-POSITION AS SHOWN



RECOMMENDED PC BOARD LAYOUT

**CUSTOMER COPY**



RoHS COMPLIANT

UNLESS OTHERWISE SPECIFIED:  
 DIMENSIONS ARE IN INCHES[MM]  
 TOLERANCES:  
 ANGULAR: ± 30'  
 .XX=± .02 [ .508]  
 .XXX=± .005 [ .1270]  
 .XXXX=± .0005 [ .0127]  
 SURFACE FINISH: 63 Rq  
 REMOVE ALL BURRS AND SHARP EDGES .010 MAX  
 INTERPRET DIMENSIONS AND GEOMETRIC TOLERANCING PER: ANSI Y14.5M-1994

DRAWN	4/2/2010	JH
THE INFORMATION HEREIN CONTAINS PROPRIETARY INFORMATION OF SULLINS ELECTRONICS AND IS NOT TO BE REPRODUCED, USED OR DISCLOSED TO OTHERS FOR ANY PURPOSE EXCEPT AS SPECIFICALLY AUTHORIZED IN WRITING BY AN OFFICER OF SULLINS ELECTRONICS.		

<b>SULLINS</b> CONNECTOR SOLUTIONS	
DESCRIPTION EDGE CARD CONNECTOR .100 CC HP	
PART NUMBER C_DCW (DCT) -S1441	
SIZE <b>C</b>	DWG. NO. C11474
SCALE: 1:1	REV -
SHEET 3 OF 3	