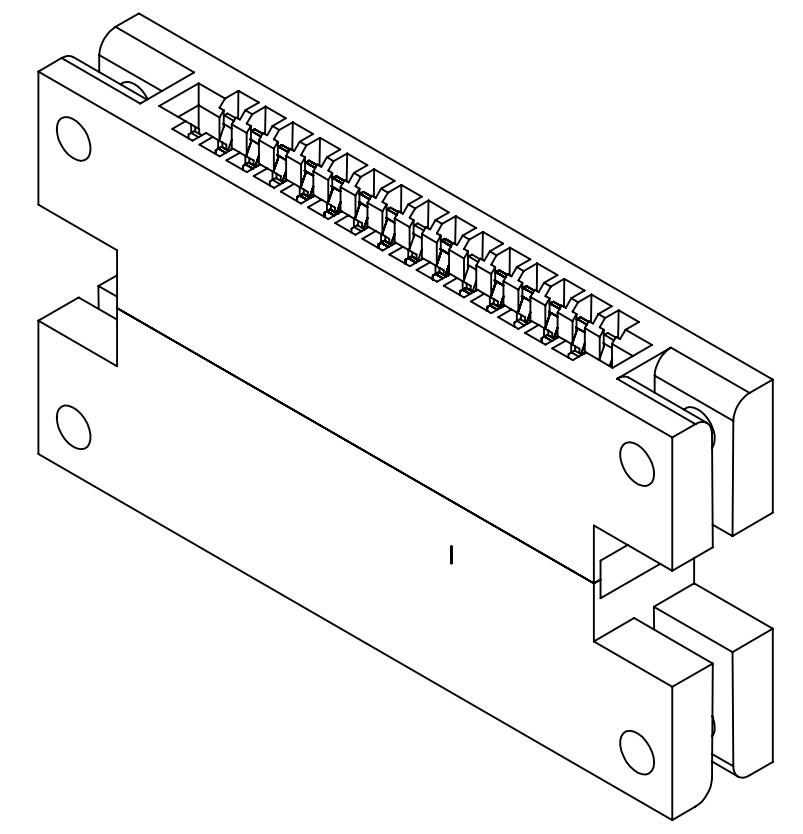
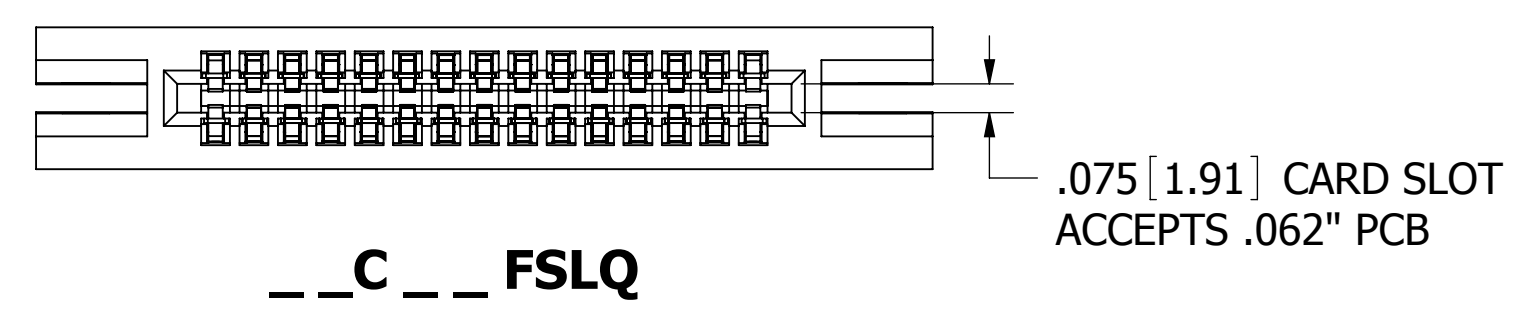
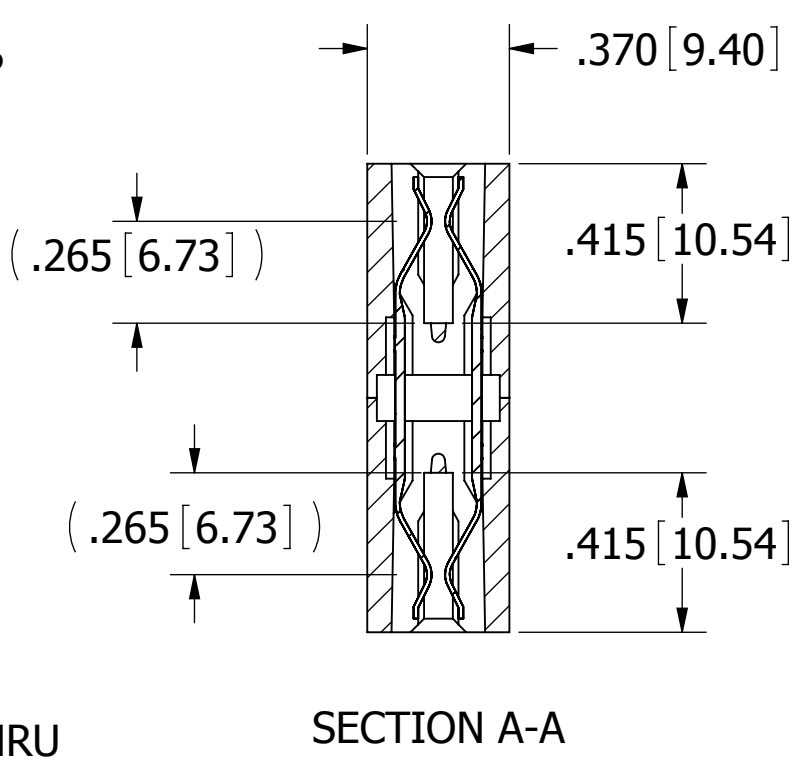
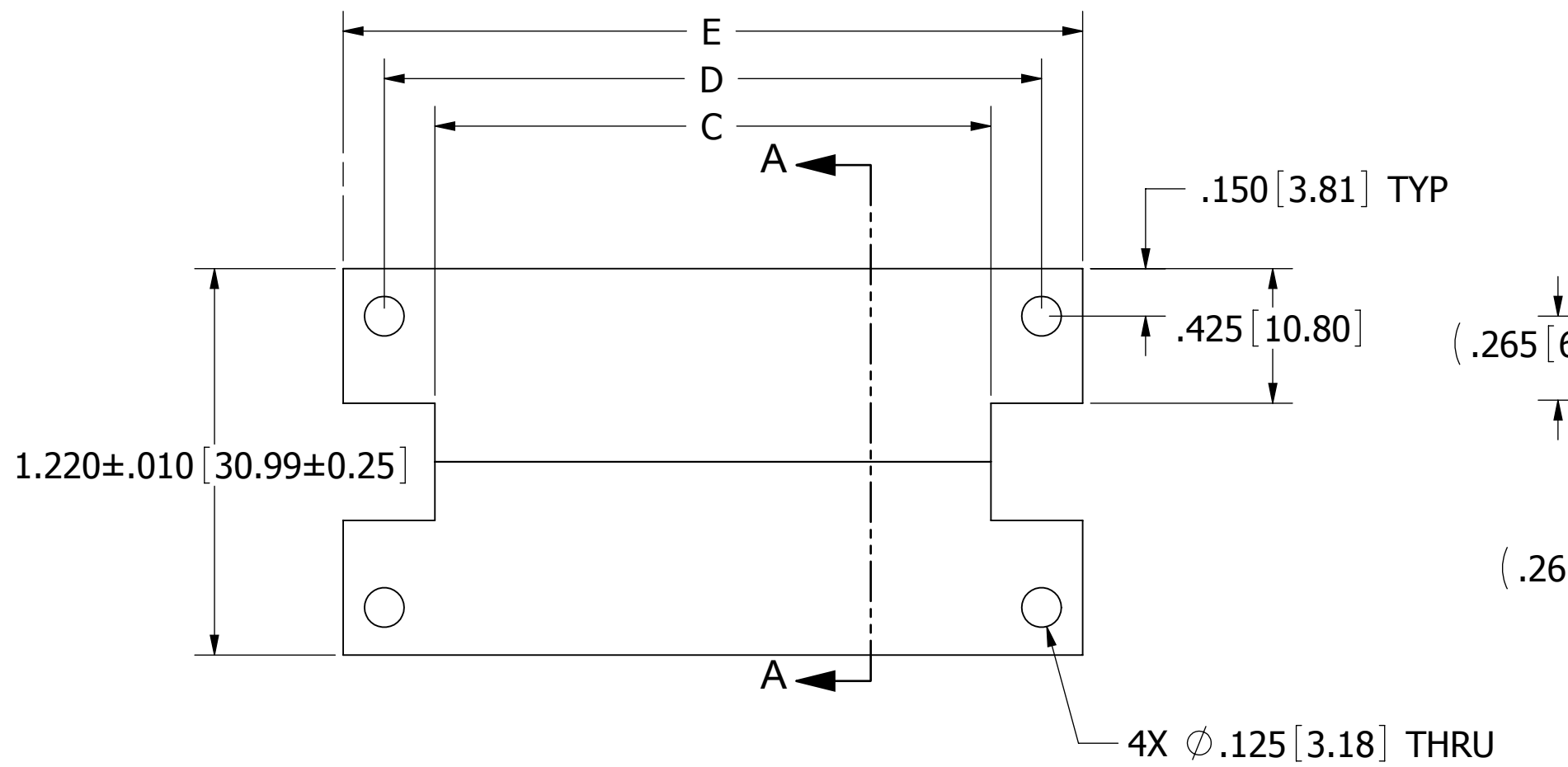
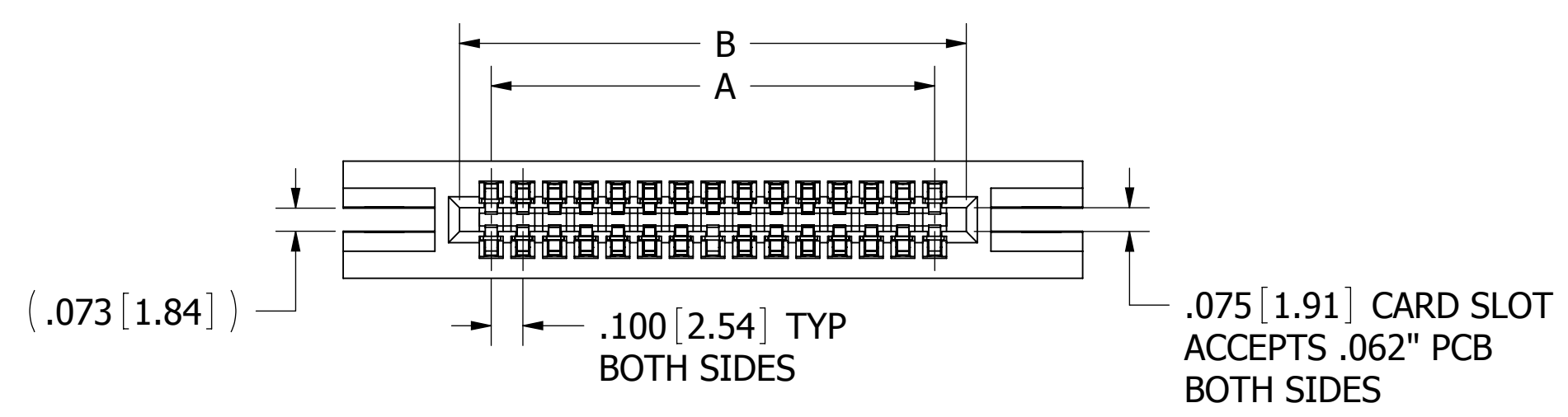
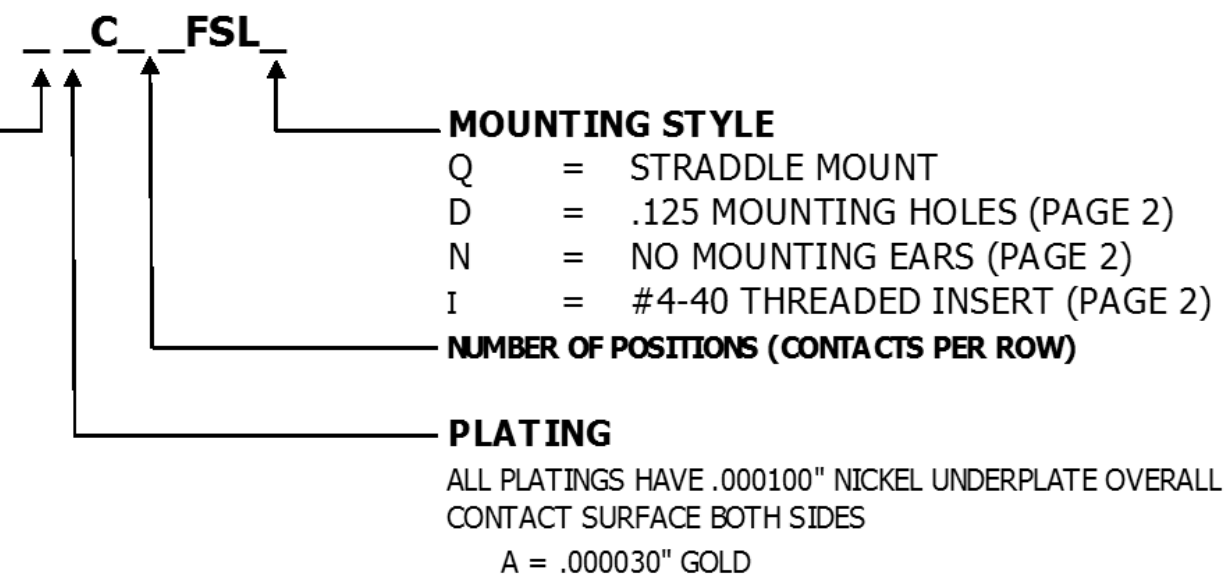
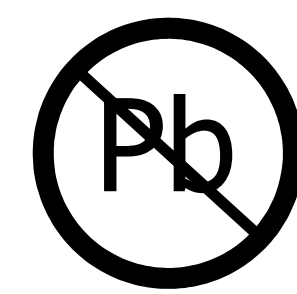


REVISIONS				
REV.	ECO. NO	DESCRIPTION	DATE	BY
-	2181	PRELIMINARY	5/21/2010	TT

PART NUMBER CODING



- NOTES:**
1. INSULATOR MATERIAL: SEE PART NUMBER CODING
 2. CONTACT MATERIAL: SEE PART NUMBER CODING
 3. PLATING: SEE PART NUMBER CODING
 4. OPERATING TEMPERATURE: SEE PART NUMBER CODING
 5. UL FLAMMABILITY RATING: 94V-0
 6. VOLTAGE RATING: 750 VAC MINIMUM AT SEA LEVEL.
 7. CURRENT RATING: 3 AMP PER CONTACT
 8. CONTACT RESISTANCE: 30 MILLI OHMS MAX
 9. INSULATION RESISTANCE: 5000 MEGA OHM
 10. DURABILITY: 500 CYCLES
 11. CONNECTOR IDENTIFICATION: THE PART SHALL BE MARKED WITH A PART NUMBER AND LOT CODE
 12. BOARD THICKNESS ACCOMMODATED: .062 ± .008"
 13. BOARD INSERTION FORCE: 8 OZ MAX PER CONTACT PAIR WHEN USING A .062" TEST BLADE. INTERNAL INSPECTION TO BE PER SULLIN'S WORK INSTRUCTION W17.3-01.
 14. BOARD WITHDRAWAL FORCE: 1 OUNCE MINIMUM PER CONTACT PAIR USING .062" PCB.

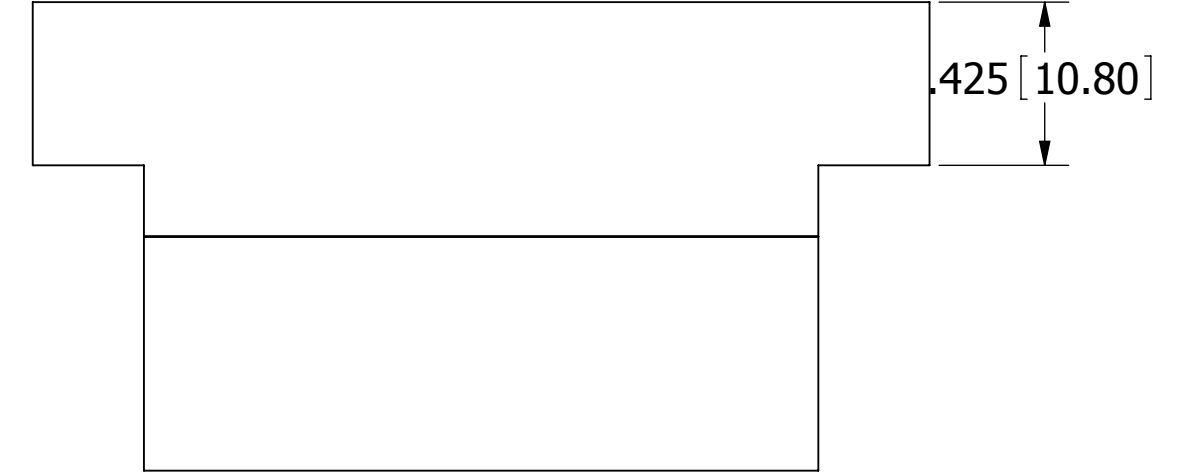
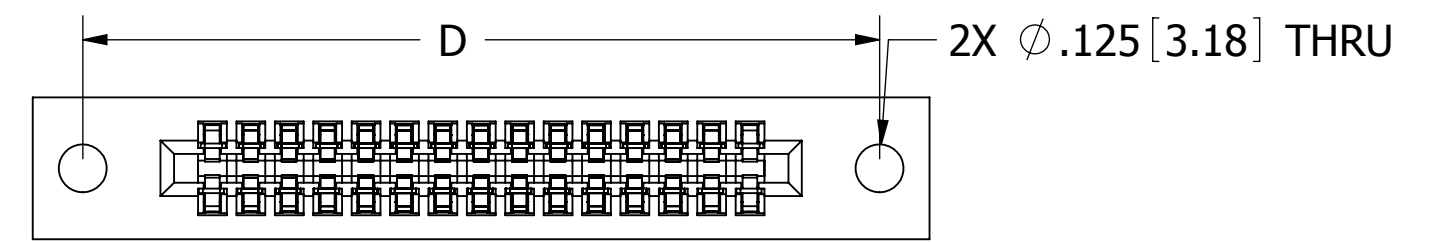


RoHS COMPLIANT

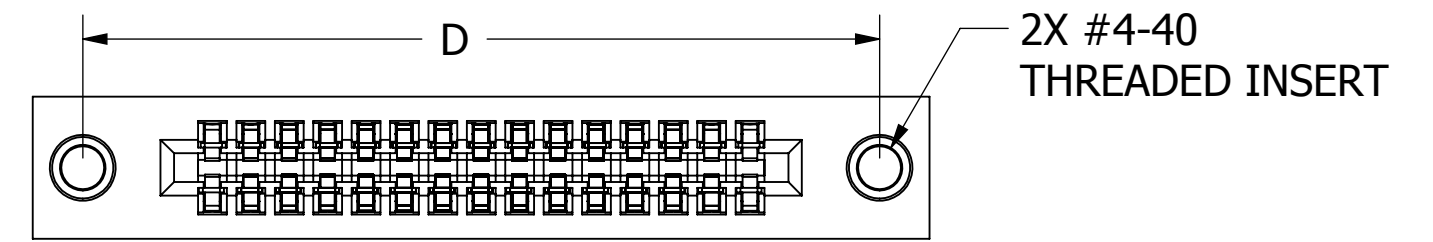
**PRELIMINARY
CUSTOMER COPY**

UNLESS OTHERWISE SPECIFIED: DIMENSIONS ARE IN INCHES[MM] TOLERANCES: ANGULAR: ± 30' .XX=± .02 [.508] .XXX=± .005 [.1270] .XXXX=± .0005 [.0127] SURFACE FINISH: 63 Rg REMOVE ALL BURRS AND SHARP EDGES .010 MAX		DATE 5-26-2010	NAME TT	
THE INFORMATION HEREIN CONTAINS PROPRIETARY INFORMATION OF SULLINS ELECTRONICS AND IS NOT TO BE REPRODUCED, USED OR DISCLOSED TO OTHERS FOR ANY PURPOSE EXCEPT AS SPECIFICALLY AUTHORIZED IN WRITING BY AN OFFICER OF SULLINS ELECTRONICS.		DESCRIPTION DUAL-EDGE .100" PITCH CONNECTOR		
INTERPRET DIMENSIONS AND GEOMETRIC TOLERANCING PER: ANSI Y14.5M-1994		PART NUMBER __C__ FSL__		SIZE C
		DWG. NO. C10823		REV -
		SCALE: 2:1		SHEET 1 OF 2

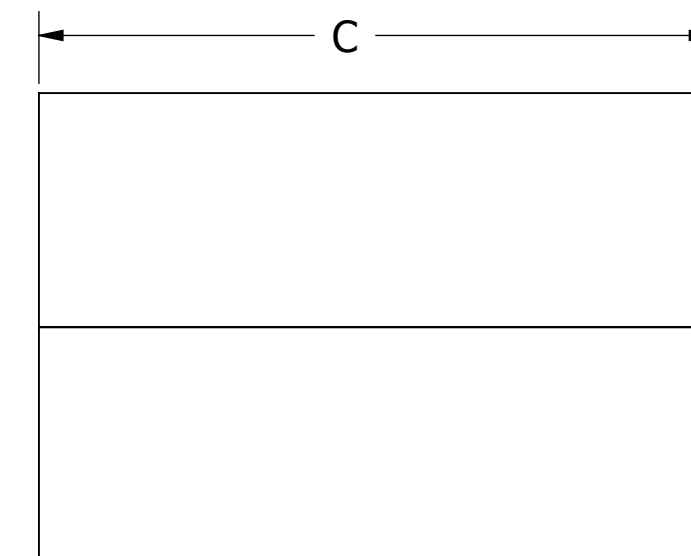
PART NUMBER	NO. OF POSITIONS	A±.008[0.20]		B±.008[0.20]		C±.015[0.38]		D±.010[0.25]		E±.020[0.25]	
		INCH	MM	INCH	MM	INCH	MM	INCH	MM	INCH	MM
__C05FSL__	5	0.400	10.16	0.600	15.24	0.756	19.20	1.075	27.31	1.335	33.91
__C06FSL__	6	0.500	12.70	0.700	17.78	0.856	21.74	1.175	29.85	1.435	36.45
__C07FSL__	7	0.600	15.24	0.800	20.32	0.956	24.28	1.275	32.39	1.535	38.99
__C08FSL__	8	0.700	17.78	0.900	22.86	1.056	26.82	1.375	34.93	1.635	41.53
__C09FSL__	9	0.800	20.32	1.000	25.40	1.156	29.36	1.475	37.47	1.735	44.07
__C10FSL__	10	0.900	22.86	1.100	27.94	1.256	31.90	1.575	40.01	1.835	46.61
__C11FSL__	11	1.000	25.40	1.200	30.48	1.356	34.44	1.675	42.55	1.935	49.15
__C12FSL__	12	1.100	27.94	1.300	33.02	1.456	36.98	1.775	45.09	2.035	51.69
__C13FSL__	13	1.200	30.48	1.400	35.56	1.556	39.52	1.875	47.63	2.135	54.23
__C14FSL__	14	1.300	33.02	1.500	38.10	1.656	42.06	1.975	50.17	2.235	56.77
__C15FSL__	15	1.400	35.56	1.600	40.64	1.756	44.60	2.075	52.71	2.335	59.31
__C16FSL__	16	1.500	38.10	1.700	43.18	1.856	47.14	2.175	55.25	2.435	61.85
__C17FSL__	17	1.600	40.64	1.800	45.72	1.956	49.68	2.275	57.79	2.535	64.39
__C18FSL__	18	1.700	43.18	1.900	48.26	2.056	52.22	2.375	60.33	2.635	66.93
__C19FSL__	19	1.800	45.72	2.000	50.80	2.156	54.76	2.475	62.87	2.735	69.47
__C20FSL__	20	1.900	48.26	2.100	53.34	2.256	57.30	2.575	65.41	2.835	72.01
__C21FSL__	21	2.000	50.80	2.200	55.88	2.356	59.84	2.675	67.95	2.935	74.55
__C22FSL__	22	2.100	53.34	2.300	58.42	2.456	62.38	2.775	70.49	3.035	77.09
__C23FSL__	23	2.200	55.88	2.400	60.96	2.556	64.92	2.875	73.03	3.135	79.63
__C24FSL__	24	2.300	58.42	2.500	63.50	2.656	67.46	2.975	75.57	3.235	82.17
__C25FSL__	25	2.400	60.96	2.600	66.04	2.756	70.00	3.075	78.11	3.335	84.71
__C26FSL__	26	2.500	63.50	2.700	68.58	2.856	72.54	3.175	80.65	3.435	87.25
__C27FSL__	27	2.600	66.04	2.800	71.12	2.956	75.08	3.275	83.19	3.535	89.79
__C28FSL__	28	2.700	68.58	2.900	73.66	3.056	77.62	3.375	85.73	3.635	92.33
__C29FSL__	29	2.800	71.12	3.000	76.20	3.156	80.16	3.475	88.27	3.735	94.87
__C30FSL__	30	2.900	73.66	3.100	78.74	3.256	82.70	3.575	90.81	3.835	97.41
__C31FSL__	31	3.000	76.20	3.200	81.28	3.356	85.24	3.675	93.35	3.935	99.95
__C32FSL__	32	3.100	78.74	3.300	83.82	3.456	87.78	3.775	95.89	4.035	102.49
__C33FSL__	33	3.200	81.28	3.400	86.36	3.556	90.32	3.875	98.43	4.135	105.03
__C34FSL__	34	3.300	83.82	3.500	88.90	3.656	92.86	3.975	100.97	4.235	107.57
__C35FSL__	35	3.400	86.36	3.600	91.44	3.756	95.40	4.075	103.51	4.335	110.11
__C36FSL__	36	3.500	88.90	3.700	93.98	3.856	97.94	4.175	106.05	4.435	112.65
__C37FSL__	37	3.600	91.44	3.800	96.52	3.956	100.48	4.275	108.59	4.535	115.19
__C38FSL__	38	3.700	93.98	3.900	99.06	4.056	103.02	4.375	111.13	4.635	117.73
__C39FSL__	39	3.800	96.52	4.000	101.60	4.156	105.56	4.475	113.67	4.735	120.27
__C40FSL__	40	3.900	99.06	4.100	104.14	4.256	108.10	4.575	116.21	4.835	122.81
__C41FSL__	41	4.000	101.60	4.200	106.68	4.356	110.64	4.675	118.75	4.935	125.35
__C42FSL__	42	4.100	104.14	4.300	109.22	4.456	113.18	4.775	121.29	5.035	127.89
__C43FSL__	43	4.200	106.68	4.400	111.76	4.556	115.72	4.875	123.83	5.135	130.43
__C44FSL__	44	4.300	109.22	4.500	114.30	4.656	118.26	4.975	126.37	5.235	132.97
__C45FSL__	45	4.400	111.76	4.600	116.84	4.756	120.80	5.075	128.91	5.335	135.51
__C46FSL__	46	4.500	114.30	4.700	119.38	4.856	123.34	5.175	131.45	5.435	138.05
__C47FSL__	47	4.600	116.84	4.800	121.92	4.956	125.88	5.275	133.99	5.535	140.59
__C48FSL__	48	4.700	119.38	4.900	124.46	5.056	128.42	5.375	136.53	5.635	143.13
__C49FSL__	49	4.800	121.92	5.000	127.00	5.156	130.96	5.475	139.07	5.735	145.67
__C50FSL__	50	4.900	124.46	5.100	129.54	5.256	133.50	5.575	141.61	5.835	148.21
__C51FSL__	51	5.000	127.00	5.200	132.08	5.356	136.04	5.675	144.15	5.935	150.75
__C52FSL__	52	5.100	129.54	5.300	134.62	5.456	138.58	5.775	146.69	6.035	153.29
__C53FSL__	53	5.200	132.08	5.400	137.16	5.556	141.12	5.875	149.23	6.135	155.83
__C54FSL__	54	5.300	134.62	5.500	139.70	5.656	143.66	5.975	151.77	6.235	158.37
__C55FSL__	55	5.400	137.16	5.600	142.24	5.756	146.20	6.075	154.31	6.335	160.91
__C56FSL__	56	5.500	139.70	5.700	144.78	5.856	148.74	6.175	156.85	6.435	163.45
__C57FSLN	57	5.600	142.24	5.800	147.32	5.956	151.28	N/A			
__C58FSLN	58	5.700	144.78	5.900	149.86	6.056	153.82				
__C59FSLN	59	5.800	147.32	6.000	152.40	6.156	156.36				
__C60FSLN	60	5.900	149.86	6.100	154.94	6.256	158.90				



__C__ FSLD

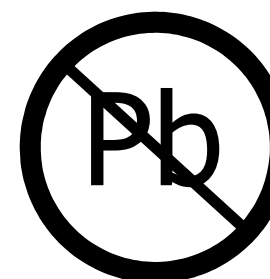


__C__ FSLI



__C__ FSLN

CUSTOMER COPY



RoHS COMPLIANT

UNLESS OTHERWISE SPECIFIED:
 DIMENSIONS ARE IN INCHES[MM]
 TOLERANCES:
 ANGULAR: ± 30'
 .XX=± .02 [.508]
 .XXX=± .005 [.1270]
 .XXXX=± .0005 [.0127]
 SURFACE FINISH: 63 Rq
 REMOVE ALL BURRS AND SHARP EDGES .010 MAX

INTERPRET DIMENSIONS AND GEOMETRIC TOLERANCING PER: ANSI Y14.5M-1994

DRAWN	DATE	NAME
	5-26-2010	TT
THE INFORMATION HEREIN CONTAINS PROPRIETARY INFORMATION OF SULLINS ELECTRONICS AND IS NOT TO BE REPRODUCED, USED OR DISCLOSED TO OTHERS FOR ANY PURPOSE EXCEPT AS SPECIFICALLY AUTHORIZED IN WRITING BY AN OFFICER OF SULLINS ELECTRONICS.		

DESCRIPTION DUAL-EDGE .100" PITCH CONNECTOR	
PART NUMBER __C__ FSL__	
SIZE C	DWG. NO. C10823
SCALE: 2:1	REV -
SHEET 2 OF 2	