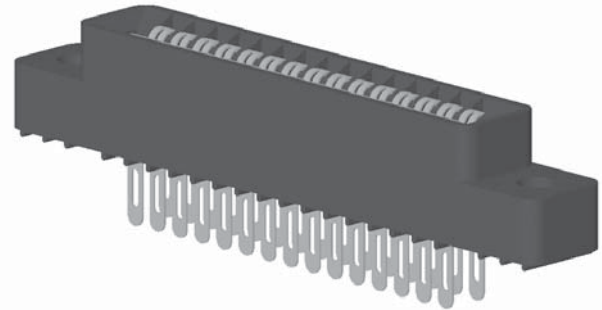




**.100" [2.54 mm] Contact Centers, .431" [10.95 mm] Insulator Height**  
**Dip Solder/Eyelet/Right Angle for .062" [1.57] or .031" [0.79] Mating PCB**

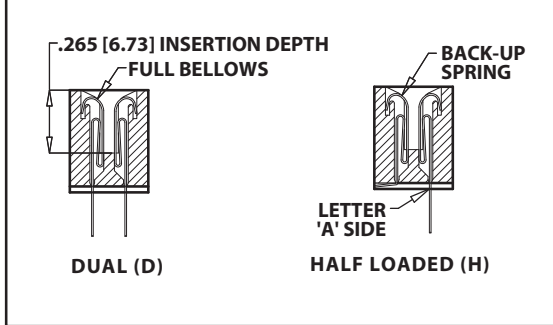
## SPECIFICATIONS

- Accommodates .062" ± .008" [1.57 ± .20] PC board
- PBT, PPS, PA9T or PEEK insulator
- Molded-in key available
- 3 amp current rating per contact
- 30 milli ohm maximum at rated current
- UL Flammability Rating: 94V-0

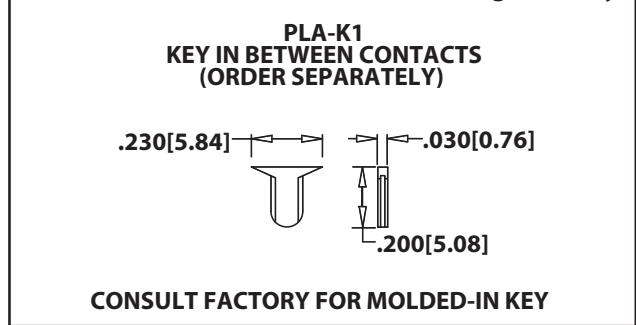


Sullins Card Edge

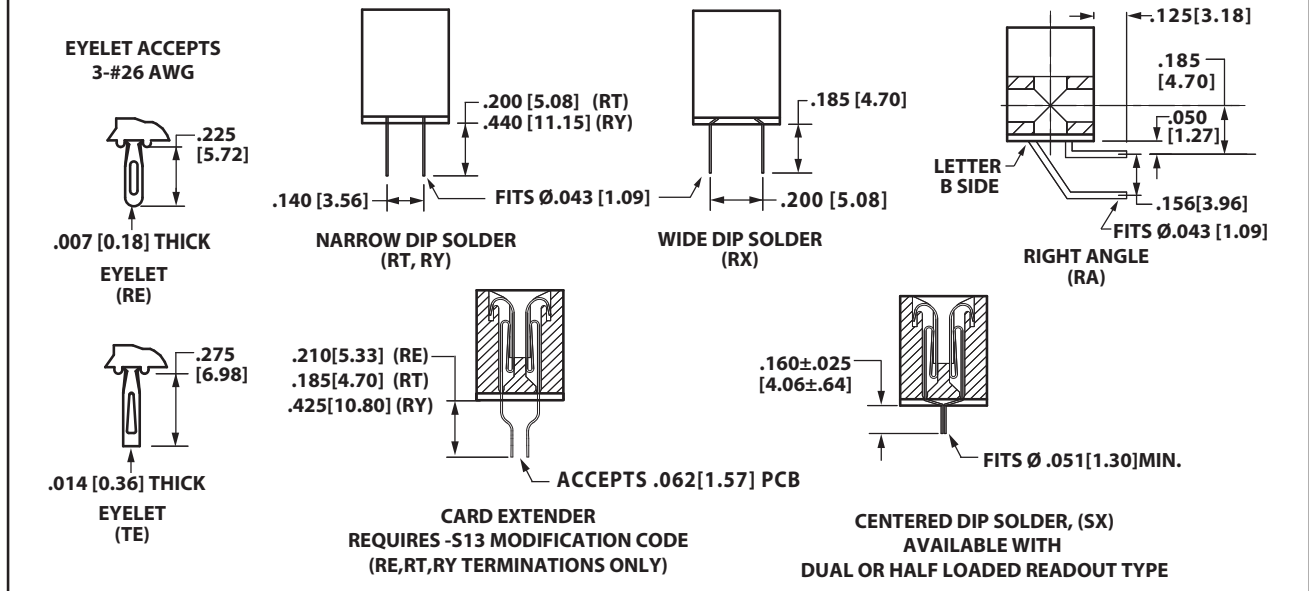
### READOUT



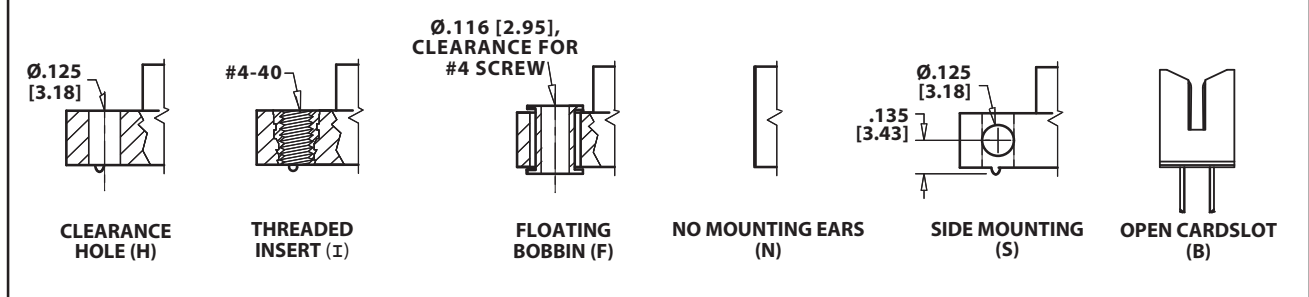
### POLARIZING KEYS (For .062" Mating PCB Only)



### TERMINATION TYPE



### MOUNTING STYLE





**.100" [2.54 mm] Contact Centers, .431" [10.95 mm] Insulator Height  
Dip Solder/Eyelet/Right Angle for .062" [1.57] or .031" [0.79] Mating PCB**

Sullins Card Edge

**PART NUMBER OPTIONS**

**MATERIALS (Insulator/Contact)**

- E = PBT/Phosphor Bronze (Standard)
- R = PPS/Phosphor Bronze
- G = PA9T/Phosphor bronze
- H = PBT/Beryllium Copper
- A = PPS/Beryllium Copper
- J = PA9T/Beryllium Copper
- \*F = PPS/Spinodal (Overall Gold Plating Only)  
Consult Factory for Special Soldering Guidelines
- \*C = PPS/Beryllium Nickel (Overall Gold Plating Only)
- \*W = PEEK/Beryllium Nickel (Overall Gold Plating Only)
- \*Consult Factory for availability.

**CONTACT FINISH - RoHS Compliant**

All platings are Lead Free and have .000050" Nickel underplate

|     | Contact Surface          | Termination              |
|-----|--------------------------|--------------------------|
| B = | .000010" Gold            | .000100" Pure Tin, Matte |
| C = | .000030" Gold            | .000100" Pure Tin, Matte |
| G = | .000010" Gold            | .000005" Gold            |
| Y = | .000030" Gold            | .000005" Gold            |
|     | Overall Surface          | Overall Plating          |
| S = | .000010" Gold            | .000010" Gold            |
| M = | .000030" Gold            | .000010" Gold            |
| E = | .000100" Pure Tin, Matte | .000100" Pure Tin, Matte |

**CONTACT CENTERS**

C = .100" [2.54mm]

**E B C 43 D RE H - Sxxx**

**MODIFICATIONS (Consult Factory)**

- OMIT FOR STANDARD
- S13 = Card Extender Accepts .062" [1.57] PCB (RE, RT, RY Terminations Only)
- S734 = .031" ± .008" [.79 ± .20] Thick Mating PCB

**MOUNTING STYLE (Opposite Page)**

- H = .125" [3.18mm] Clearance Holes
- N = No Mounting
- B = Open Cardslot
- S = Side Mounting
- I = Threaded Insert
- F = Floating Bobbin

**TERMINATION TYPE (Opposite Page)**

- RA = Right Angle
- RE = Eyelet (Standard)
- TE = Eyelet (Overall Plated Only)
- RT = .140" [3.56mm] x .200" [5.08mm] Dip Solder
- RY = .140" [3.56mm] x .440" [11.18mm] Dip Solder
- RX = .200" [5.08mm] x .185" [4.70mm] Dip Solder
- SX = .110" [2.79mm] Centered Dip Solder

**READOUT (Opposite Page)**

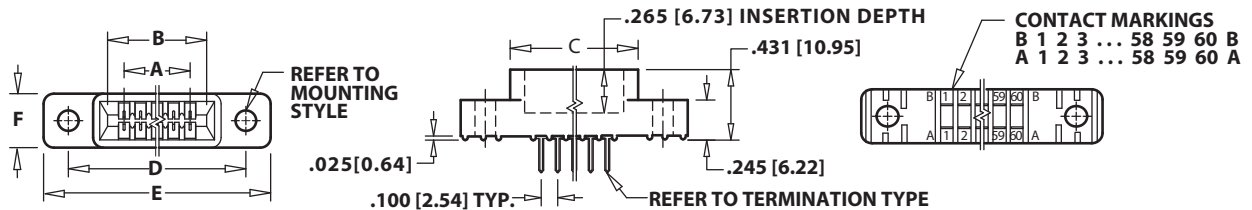
- D = Dual
- H = Half Loaded

**NUMBER OF CONTACT POSITIONS**

See Chart Below

**DIMENSIONS**

Dimensions in [ ] are in millimeters, all others are in inches.



Tolerances with PPS Insulator Material may vary slightly due to shrinkage differential: Consult Factory.

| POSITIONS/<br>CONTACTS | INCHES |        |        |        |        |        | [MILLIMETERS] |        |        |        |        |        |
|------------------------|--------|--------|--------|--------|--------|--------|---------------|--------|--------|--------|--------|--------|
|                        | A±.008 | B±.008 | C±.015 | D±.010 | E±.020 | F±.005 | A±0.20        | B±0.20 | C±0.38 | D±0.25 | E±0.51 | F±0.13 |
| 04/08*                 | 0.300  | 0.500  | 0.675  | 0.975  | 1.275  | 0.330  | 7.62          | 12.70  | 17.15  | 24.77  | 32.39  | 8.38   |
| 05/10                  | 0.400  | 0.600  | 0.775  | 1.075  | 1.375  |        | 10.16         | 15.24  | 19.69  | 27.31  | 34.93  |        |
| 06/12                  | 0.500  | 0.700  | 0.875  | 1.175  | 1.475  |        | 12.70         | 17.78  | 22.23  | 29.85  | 37.47  |        |
| 07/14                  | 0.600  | 0.800  | 0.975  | 1.275  | 1.575  |        | 15.24         | 20.32  | 24.77  | 32.39  | 40.01  |        |
| 08/16                  | 0.700  | 0.900  | 1.075  | 1.375  | 1.675  |        | 17.78         | 22.86  | 27.31  | 34.93  | 42.55  |        |
| 10/20                  | 0.900  | 1.100  | 1.275  | 1.575  | 1.875  |        | 22.86         | 27.94  | 32.39  | 40.01  | 47.63  |        |
| 12/24                  | 1.100  | 1.300  | 1.475  | 1.775  | 2.075  |        | 27.94         | 33.02  | 37.47  | 45.09  | 52.71  |        |
| 13/26                  | 1.200  | 1.400  | 1.575  | 1.875  | 2.175  |        | 30.48         | 35.56  | 40.01  | 47.63  | 55.25  |        |
| 15/30                  | 1.400  | 1.600  | 1.775  | 2.075  | 2.375  |        | 35.56         | 40.64  | 45.09  | 52.71  | 60.33  |        |
| 17/34                  | 1.600  | 1.800  | 1.975  | 2.275  | 2.575  |        | 40.64         | 45.72  | 50.17  | 57.79  | 65.41  |        |
| 18/36                  | 1.700  | 1.900  | 2.075  | 2.375  | 2.675  |        | 43.18         | 48.26  | 52.71  | 60.33  | 67.95  |        |
| 19/38                  | 1.800  | 2.000  | 2.175  | 2.475  | 2.775  |        | 45.72         | 50.80  | 55.25  | 62.87  | 70.49  |        |
| 20/40                  | 1.900  | 2.100  | 2.275  | 2.575  | 2.875  |        | 48.26         | 53.34  | 57.79  | 65.41  | 73.03  |        |
| 22/44                  | 2.100  | 2.300  | 2.475  | 2.775  | 3.075  |        | 53.34         | 58.42  | 62.87  | 70.49  | 78.11  |        |
| 23/46*                 | 2.200  | 2.400  | 2.575  | 2.875  | 3.175  |        | 55.88         | 60.96  | 65.41  | 73.03  | 80.65  |        |
| 25/50                  | 2.400  | 2.600  | 2.775  | 3.075  | 3.375  |        | 60.96         | 66.04  | 70.49  | 78.11  | 85.73  |        |
| 26/52                  | 2.500  | 2.700  | 2.875  | 3.175  | 3.475  | 63.50  | 68.58         | 73.03  | 80.65  | 88.27  |        |        |
| 28/56                  | 2.700  | 2.900  | 3.075  | 3.375  | 3.675  | 68.58  | 73.66         | 78.11  | 85.73  | 93.35  |        |        |
| 30/60                  | 2.900  | 3.100  | 3.275  | 3.575  | 3.875  | 73.66  | 78.74         | 83.19  | 90.81  | 98.43  |        |        |
| 31/62                  | 3.000  | 3.200  | 3.375  | 3.675  | 3.975  | 76.20  | 81.28         | 85.73  | 93.35  | 100.97 |        |        |
| 35/70                  | 3.400  | 3.600  | 3.775  | 4.075  | 4.375  | 86.36  | 91.44         | 95.89  | 103.51 | 111.13 |        |        |
| 36/72                  | 3.500  | 3.700  | 3.875  | 4.175  | 4.475  | 88.90  | 93.98         | 98.43  | 106.05 | 113.67 |        |        |
| 40/80                  | 3.900  | 4.100  | 4.275  | 4.575  | 4.875  | 99.06  | 104.14        | 108.59 | 116.21 | 123.83 |        |        |
| 43/86                  | 4.200  | 4.400  | 4.575  | 4.875  | 5.175  | 106.68 | 111.76        | 116.21 | 123.83 | 131.45 |        |        |
| 44/88                  | 4.300  | 4.500  | 4.675  | 4.975  | 5.275  | 109.22 | 114.30        | 118.75 | 126.37 | 133.99 |        |        |
| 49/98                  | 4.800  | 5.000  | 5.175  | 5.475  | 5.775  | 121.92 | 127.00        | 131.45 | 139.07 | 146.69 |        |        |
| 50/100                 | 4.900  | 5.100  | 5.275  | 5.575  | 5.875  | 124.46 | 129.54        | 133.99 | 141.61 | 149.23 |        |        |
| 52/104*                | 5.100  | 5.300  | 5.475  | 5.775  | 6.075  | 129.54 | 134.62        | 139.07 | 146.69 | 154.31 |        |        |
| 60/120                 | 5.900  | 6.100  | 6.275  | 6.575  | 6.875  | 149.86 | 154.94        | 159.39 | 167.01 | 174.63 |        |        |
| 65/130                 | 6.400  | 6.600  | 6.775  | 7.075  | 7.375  | 162.56 | 167.64        | 172.09 | 179.71 | 187.33 |        |        |

\* Consult Factory For Availability