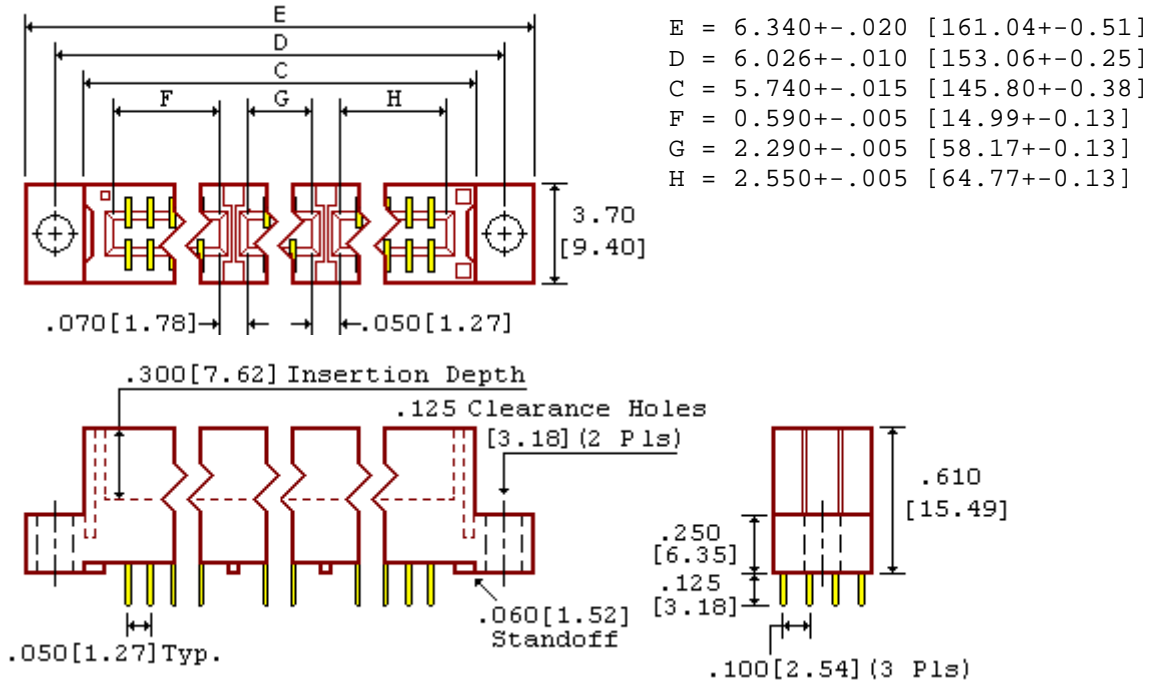


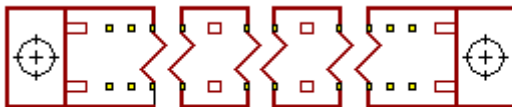
SULLINS ELECTRONICS CORP

PART NUMBER: ACB106DHHD-S621



Card Slot Barriers after Positions 11 and 56

.012x.018 [.30x.46] Staggered Hairpin Bellows Contacts Not Shown



BOARD LAYOUT

- 1.0 SPECIFICATIONS FOR A DUAL 106/212 POSITION EDGECARD CONNECTOR
- 2.0 INSULATION MATERIAL: PPS
- 3.0 CONTACT MATERIAL: BERYLLIUM COPPER CA172, 1//2H
- 4.0 TEMPERATURE: TO 150 DEGREES C MAXIMUM
- 5.0 PLATING: .000030" GOLD ON CONTACT SURFACE, .000100" PURE TIN ON TAILS,
.000050" NICKEL UNDERPLATE
- 6.0 UL FLAMMABILITY RATING: 94V-0
- 7.0 VOLTAGE RATING: 125 VDC MINIMUM AT SEA LEVEL
- 8.0 CURRENT RATING: 1 AMPERE
- 9.0 INSULATION RESISTANCE: 1,000 MEGA OHMS
- 10.0 BOARD THICKNESS ACCOMMODATED: .054 INCH TO .074 INCH
- 11.0 SPECIFICATIONS SUBJECT TO CHANGE WITHOUT NOTICE
- 12.0 NOT DRAWN TO SCALE

