

SUPER BRIGHT LED

▼DESCRIPTION ON TYPE NO.

BR5364X

(1) (2) (3) (4) (5) (6)

1 LED DIE MATERIAL(CHIP)

Ta=25°C

Material Emitted color	GaAlAs,GaP,GaAsP/GaP (Super Bright Type)	GaP	GaAsP/GaP
Red	EBR / BR / EVR	PR/MPR	VR/MVR
Orange	EAA	—	AA/MAA
Yellow	EAY / EPY	PY/MPY	AY/MAY
Green	EPG	PG/PG-Y/MPG	—
Pure Green	EBG	BG/MBG	—

※ The low-current M... type is suitable for static-driven systems.

2 PACKAGE SIZE

①=1.5~2.4mm ②=2.5~3.4mm ③=3.5~4.4mm ④=4.5~5.4mm ⑤=6.5~7.6mm

3 LEAD CONSTRUCTION

①=0.5mm square long lead with standoff and reflector ②=Axial lead
 ③=0.5mm square long lead with reflector/side view type ④=0.4mm square lead ⑤=0.6mm square lead with reflector
 ⑥=0.4mm square lead with reflector ⑦=0.4mm square lead with reflector ⑧=0.4mm square long lead

4 PACKAGE COLOR

①=Water clear ②=White diffused ③=Color clear ④=Color diffused
 ⑤=Color surface diffused ⑥=Pastel color clear ⑦=Pastel color diffused ⑧=Pastel color surface diffused

5 SHAPE CODE

6 OUTER SHAPE SUFFIX

①=Round ②=Triangle ③=rectangular ④=Chimney(debeso) ⑤=Side view

▼CHARACTERISTICS BY COLOR

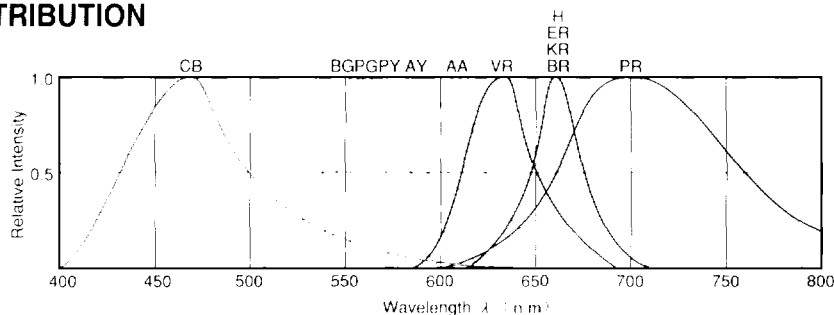
Ta=25°C

Type No.	Material	Emitted Color	Absolute Maximum Ratings							Electro-Optical Characteristics								
			Power Dissipation	Forward Current	Peak Forward Current	Reverse Voltage	Operating Temp.	Storage Temp.	*1 Derating	Forward Voltage V _F			Reverse Current I _R		Capacitance	Wavelength		
			P _d	I _F	I _{FM}	V _R	T _{opr}	T _{stg}	ΔI _F	TYP.	MAX.	I _F	MAX.	V _R	C _o	λ _p TYP.	Spectral Line Half Width Δλ TYP.	I _F
EBR / BR	GaAlAs	Red	100	50	300	4	-30~+85	-30~+100	0.67	1.7	2.0	20	100	4	50	660	30	20
EVR / VR	GaAsP:GaP		75	30	100	4	-30~+85	-30~+100	0.33	2.0	2.5	20	100	4	35	630	30	20
EMVR / MVR	GaP		75	30	75	4	-30~+85	-30~+100	0.40	2.0	2.8	20	20	4	10	630	30	20
PR	GaP	Orange	75	30	100	4	-30~+85	-30~+100	0.33	2.1	2.5	10	100	4	70	700	100	10
MPR			75	30	75	4	-30~+85	-30~+100	0.40	2.1	2.8	10	20	4	40	700	100	10
EAA / AA	GaAsP:GaP		125	50	100	4	-30~+85	-30~+100	0.67	2.2	2.5	20	100	4	50	605	30	20
EMAA / MAA	GaP	70	25	60	4	-30~+85	-30~+100	0.33	2.2	2.8	20	20	4	10	605	30	20	
EAY / AY	GaAsP:GaP	Yellow	125	50	100	4	-30~+85	-30~+100	0.67	2.2	2.5	20	100	4	40	580	30	20
EMAY / MAY	GaP		85	30	75	4	-30~+85	-30~+100	0.40	2.2	2.8	20	20	4	10	580	30	20
EPY / PY	GaP		125	50	100	4	-30~+85	-30~+100	0.67	2.1	2.5	20	100	4	40	570	30	20
EMPY / MPY	GaP	85	30	75	4	-30~+85	-30~+100	0.40	2.1	2.8	20	20	4	20	570	30	20	
PG-Y	GaP	Green	125	50	100	4	-30~+85	-30~+100	0.67	2.1	2.5	20	100	4	40	565	30	20
EPG / PG			125	50	100	4	-30~+85	-30~+100	0.67	2.1	2.5	20	100	4	40	560	30	20
EMPG / MPG			70	25	60	4	-30~+85	-30~+100	0.33	2.1	2.8	20	20	4	25	560	30	20
EBG / BG	GaP	Pure Green	125	50	100	4	-30~+85	-30~+100	0.67	2.1	2.5	20	100	4	50	555	30	20
EMBG / MBG			70	25	60	4	-30~+85	-30~+100	0.33	2.1	2.8	20	20	4	25	555	30	20
Units			mW	mA	mA	V	°C	°C	mA/°C	V	mA	μA	V	pF	nm	nm	mA	

● P_d for the 1.6mm diameter types is 80mW for BR, 100mW for AA,AY,PY,PG,BG with I_F at 40mA for each color.

● I_{FM} applies for condition t_w ≤ 1msec Duty cycle ≤ 1 / 20

▼SPECTRAL DISTRIBUTION



▼ROUND SHAPE TYPE LED

Ta=25°C

Size	Shape	Type No.	Emitted Color	Lens	Peak Wavelength λ_p (nm)	Luminous Intensity I_v (mcd)			Spatial Distribution (The typical distribution example of each shape is shown below.)	fig.				
						MIN.	TYP.	I_F (mA)						
$\phi 5$		● BR5363X	Red	Pastel Red	660	15	30	20		1				
		● MPR5363X		Clear	Pastel Red	700	2	4			10			
		● MVR5363X			Pastel Red	630	10	20			20			
		● MAA5363X	Orange	Pastel Orange	605	10	20	20						
		● MAY5363X	Yellow	Pastel Yellow	580	10	20	20						
		● MPY5363X		Pastel Yellow	570	15	30	20						
		● MPG5363X	Green	Pastel Green	560	10	20	20						
		● MBG5363X	Pure Green	Pastel Green	555	5	10	20						
		● BR5373X	Red	Pastel Red	660	6	12	20				1		
		● MPR5373X		Diffused	Pastel Red	700	1	2					10	
		● MVR5373X			Pastel Red	630	5	10					20	
		● MAA5373X	Orange	Pastel Orange	605	5	10	20						
	● MAY5373X	Yellow	Pastel Yellow	580	5	10	20							
	● MPY5373X		Pastel Yellow	570	6	12	20							
	● MPG5373X	Green	Pastel Green	560	5	10	20							
	● MBG5373X	Pure Green	Pastel Green	555	1.5	3	20							
		● BR5364X	Red	Pastel Red	Clear	660	60	120	20				2	
						● MPR5364X	700	5	10					10
						● MVR5364X	630	50	100					20
			● MAA5364X	Orange		Pastel Orange	605	50	100					20
			● MAY5364X	Yellow		Pastel Yellow	580	40	80		20			
			● MPY5364X			Pastel Yellow	570	60	120		20			
		● MPG5364X	Green	Pastel Green	560	50	100	20						
		● MBG5364X	Pure Green	Pastel Green	555	20	40	20						
● BR5374X		Red	Pastel Red	Diffused	660	30	60	20			2			
					● MPR5374X	700	3	6				10		
					● MVR5374X	630	30	60				20		
		● MAA5374X	Orange		Pastel Orange	605	25	50				20		
	● MAY5374X	Yellow	Pastel Yellow		580	20	40	20						
	● MPY5374X		Pastel Yellow		570	30	60	20						
● MPG5374X	Green	Pastel Green	560	20	40	20								
● MBG5374X	Pure Green	Pastel Green	555	8	16	20								

● indicates standard products.

▼PACKAGE DIMENSIONS Unit : mm

fig. 1

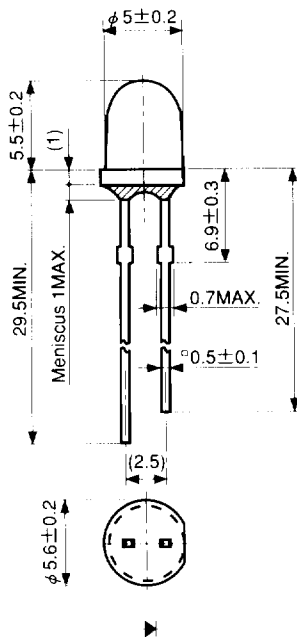
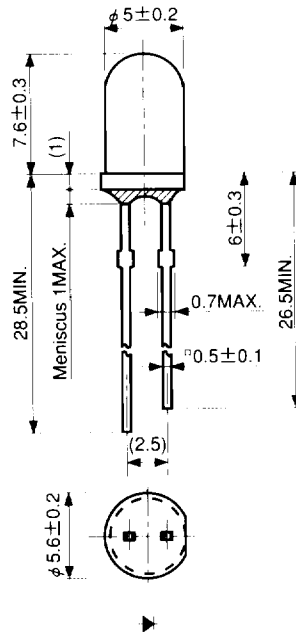


fig. 2



SUPER BRIGHT LED

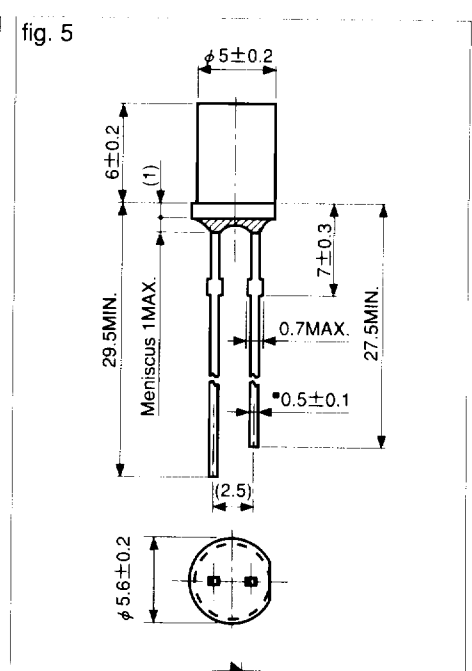
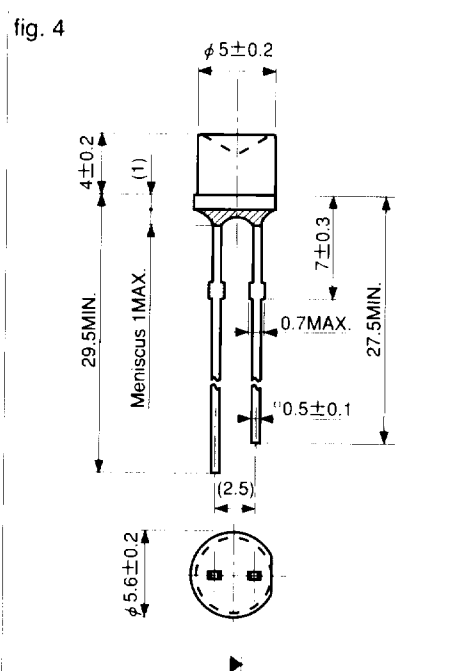
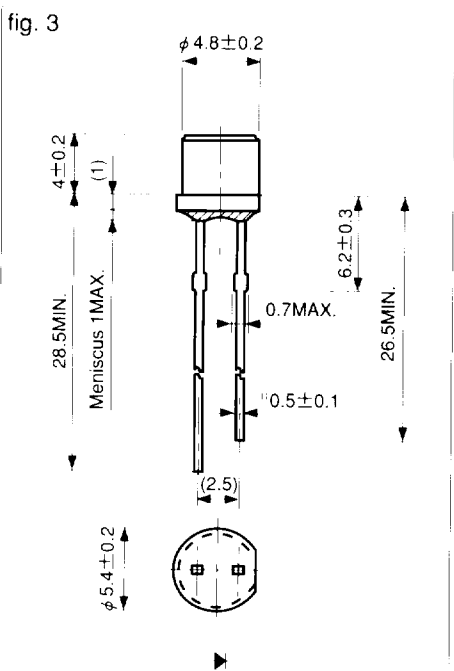
ROUND SHAPE TYPE LED

Ta=25°C

Size	Shape	Type No.	Emitted Color	Lens	Peak Wavelength λ_p (nm)	Luminous Intensity Iv (mcd)			Spatial Distribution (The typical distribution example of each shape is shown below.)	fig.	
						MIN.	TYP.	IF (mA)			
$\phi 5$		● BR5307S	Red	Water Clear	Clear	660	5	10	20		3
		● PR5307S				700	0.6	1.2	10		
		● VR5307S				630	3	6	20		
		● AA5307S	Orange	Water Clear	Clear	605	3	6	20		
		● AY5307S				580	3	6	20		
		● PY5307S				570	5	10	20		
		● PG5307S	Green	Water Clear	Clear	560	4	8	20		
		● BG5307S				555	2	4	20		
		● BR5362X				660	2	4	20		
		● PR5362X	Red	Pastel Red	Clear	700	0.4	0.6	10		4
		● VR5362X				630	2	4	20		
		● AA5362X				605	2	4	20		
		● AY5362X	Yellow	Pastel Yellow	Clear	580	2	4	20		
		● PY5362X				570	3	6	20		
		● PG5362X				560	2	4	20		
● BG5362X	Pure Green	Pastel Green	Clear	555	0.6	1.2	20				
● BR5385X				660	3	6	20				
● PR5385X				700	0.6	0.9	10				
● VR5385X	Red	Pastel Red	Surface Diffused	630	3	6	20		5		
● AA5385X				605	3	6	20				
● AY5385X				580	2.5	5	20				
● PY5385X	Yellow	Pastel Yellow	Surface Diffused	570	3	6	20				
● PG5385X				560	2.5	5	20				
● BG5385X				555	0.8	1.6	20				

● indicates standard products.

PACKAGE DIMENSIONS Unit: mm





▼ROUND SHAPE TYPE LED

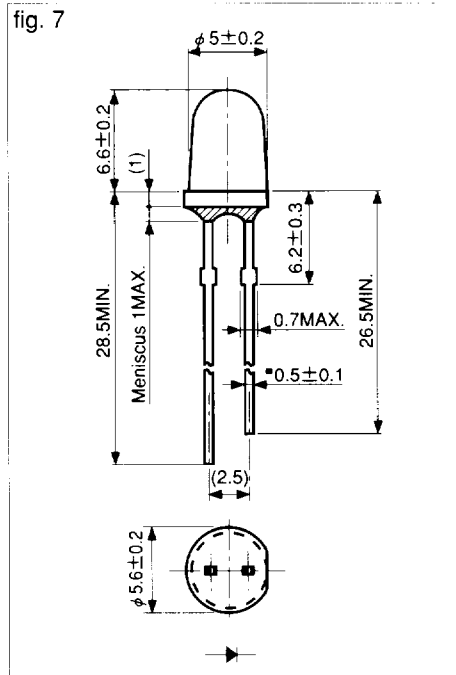
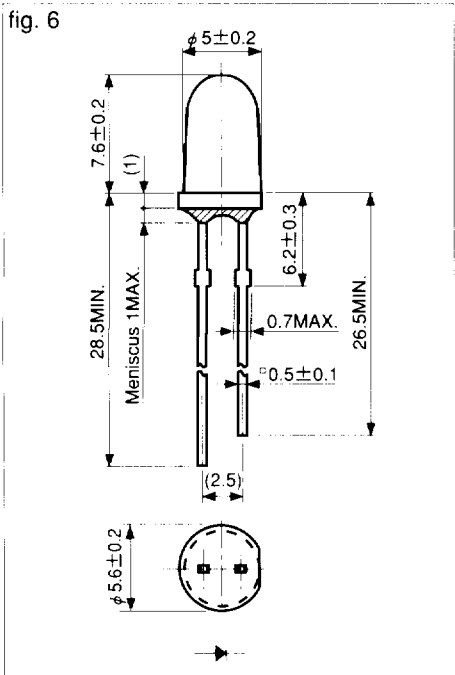
Ta=25°C

Size	Shape	Type No.	Emitted Color	Lens	Peak Wavelength λp (nm)	Luminous Intensity Iv (mcd)			Spatial Distribution (The typical distribution example of each shape is shown below.)	fig.						
						MIN.	TYP.	IF (mA)								
φ5		● EBR / BR5304S	Red	Water Clear	Clear	660	80 / 40	160 / 80	20		6					
		● PR5304S				700	6	12	10							
		● EVR / VR5304S				630	60 / 30	90 / 60	20							
		● EAA / AA5304S	Orange			605	60 / 30	90 / 60	20							
		● EAY / AY5304S				Yellow	580	60 / 30	90 / 60			20				
		● EPY / PY5304S					570	80 / 40	160 / 80			20				
		● EPG / PG5304S	Green			Pure Green	560	80 / 40	160 / 80			20				
		● EBG / BG5304S					555	50 / 25	80 / 50			20				
		● EBR / BR5334S					660	20 / 10	30 / 20			20				
			● PR5334S			Red	Diffused	Red	700			3	6	10		6
			● EVR / VR5334S						630			16 / 8	24 / 16	20		
			● EAA / AA5334S						Orange			605	16 / 8	24 / 16		
	● EAY / AY5334S		Yellow	580	16 / 8	24 / 16				20						
	● EPY / PY5334S			Green	570	30 / 15			45 / 30	20						
	● EPG / PG5334S		Pure Green		560	24 / 12			36 / 24	20						
	● EBG / BG5334S			555	10 / 5	15 / 10			20							
	● EBR / BR5305S			660	20 / 10	30 / 20			20							
			● PR5305S	Red	Water Clear	Clear			700	4	8	10		7		
			● EVR / VR5305S						630	20 / 10	30 / 20	20				
			● EAA / AA5305S						Orange	605	30 / 15	45 / 30				
			● EAY / AY5305S	Yellow						580	30 / 15	45 / 30				
		● EPY / PY5305S	Green				570	50 / 25	75 / 50	20						
		● EPG / PG5305S		Pure Green			560	40 / 20	60 / 40	20						
		● EBG / BG5305S	555				12 / 6	18 / 12	20							
		● EBR / BR5335S	660				12 / 6	18 / 12	20							
			● PR5335S	Red			Diffused	Red	700	2.5	5	10				7
			● EVR / VR5335S						630	12 / 6	18 / 12	20				
			● EAA / AA5335S						Orange	605	20 / 10	30 / 20				
			● EAY / AY5335S	Yellow						580	20 / 10	30 / 20				
	● EPY / PY5335S		Green		570	30 / 15			45 / 30	20						
	● EPG / PG5335S			Pure Green	560	24 / 12			36 / 24	20						
	● EBG / BG5335S		555		8 / 4	12 / 8			20							

● indicates standard products.

2

▼PACKAGE DIMENSIONS Unit : mm



SUPER BRIGHT LED

▼ROUND SHAPE TYPE LED / SIDE VIEW TYPE

Ta=25°C

Size	Shape	Type No.	Emitted Color	Lens	Peak Wavelength λ_p (nm)	Luminous Intensity Iv (mcd)			Spatial Distribution (The typical distribution example of each shape is shown below.)	fig.	
						MIN.	TYP.	IF (mA)			
φ4		● BR4365S	Red	Pastel Red	Clear	660	10	20	20		8
		● MPR4365S				700	1.5	3.0	10		
		● MVR4365S				630	8	16	20		
		● MAA4365S	Orange	Pastel Orange	605	10	20	20			
		● MAY4365S	Yellow	Pastel Yellow	580	10	20	20			
		● MPY4365S			570	15	30	20			
		● MPG4365S	Green	Pastel Green	560	10	20	20			
		● MBG4365S	Pure Green	Pastel Green	555	5	10	20			
		● BR4375S	Red	Pastel Red	Diffused	660	6	12	20		
		● MPR4375S				700	0.6	1.2	10		
		● MVR4375S				630	5	10	20		
		● MAA4375S	Orange	Pastel Orange	605	4	8	20			
		● MAY4375S	Yellow	Pastel Yellow	580	4	8	20			
		● MPY4375S			570	8	16	20			
● MPG4375S	Green	Pastel Green	560	6	12	20					
● MBG4375S	Pure Green	Pastel Green	555	3	6	20					
φ3.6 Side View Type		BR4361F	Red	Pastel Red	Clear	660	10	20	20		9
		MPR4361F				700	0.6	1.2	10		
		MVR4361F				630	4	8	20		
		MAA4361F	Orange	Pastel Orange	605	5	10	20			
		MAY4361F	Yellow	Pastel Yellow	580	5	10	20			
		MPY4361F			570	6	12	20			
		MPG4361F	Green	Pastel Green	560	5	10	20			
		MBG4361F	Pure Green	Pastel Green	555	3	6	20			
		BR4371F	Red	Pastel Red	Diffused	660	5	10	20		
		MPR4371F				700	0.5	1	10		
		MVR4371F				630	3	6	20		
		MAA4371F	Orange	Pastel Orange	605	4	8	20			
		MAY4371F	Yellow	Pastel Yellow	580	4	8	20			
		MPY4371F			570	5	10	20			
MPG4371F	Green	Pastel Green	560	3	6	20					
MBG4371F	Pure Green	Pastel Green	555	1.5	3	20					

● indicates standard products.

▼PACKAGE DIMENSIONS Unit : mm

fig. 8

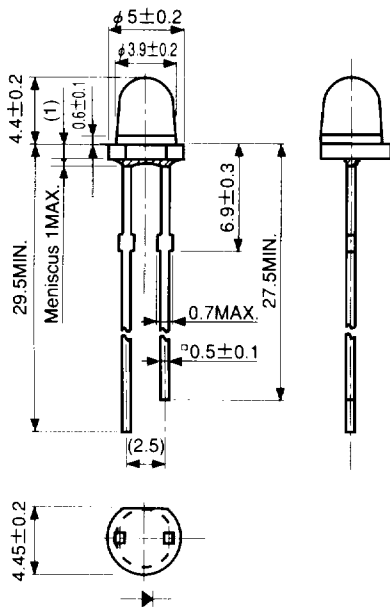
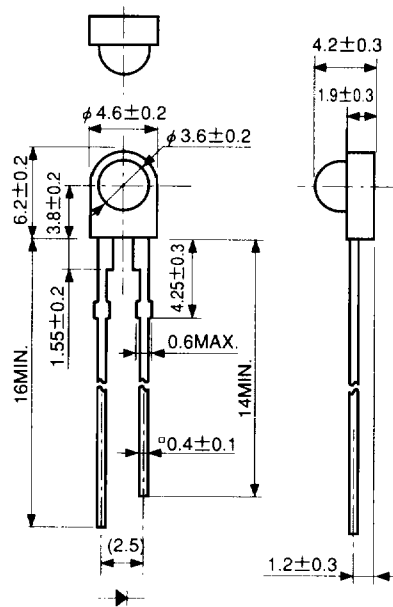


fig. 9





▼ROUND SHAPE TYPE LED

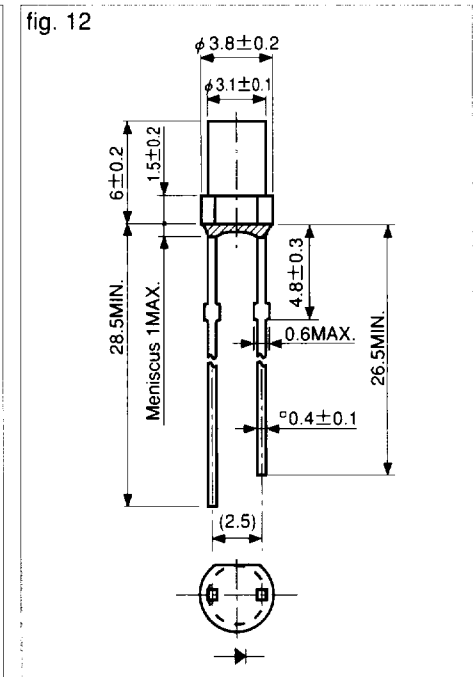
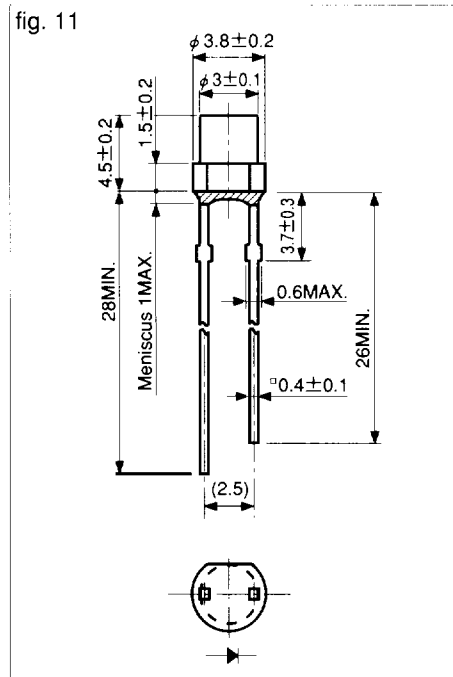
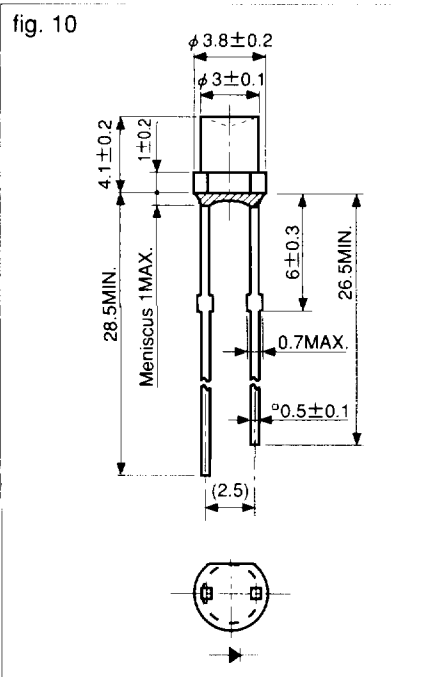
Ta=25°C

Size	Shape	Type No.	Emitted Color	Lens	Peak Wavelength λ_p (nm)	Luminous Intensity I _v (mcd)			Spatial Distribution (The typical distribution example of each shape is shown below.)	fig.	
						MIN.	TYP.	I _F (mA)			
$\phi 3$		● BR3365S	Red	Pastel Red	Clear	660	2.5	5	20		10
		● PR3365S				700	0.4	0.8	10		
		● VR3365S	630	2		4	20				
		● AA3365S	605	2		4	20				
		● AY3365S	580	2		4	20				
		● PY3365S	570	3		6	20				
		● PG3365S	560	2		4	20				
		● BG3365S	555	0.8		1.6	20				
		BR3867S	Red	Pastel Red	Clear	660	2.5	5	20		11
		MPR3867S				700	0.5	1	10		
		MVR3867S	630	2		4	20				
		MAA3867S	605	2.5		5	20				
		MAY3867S	580	2.5		5	20				
		MPY3867S	570	3		6	20				
		MPG3867S	560	2.5		5	20				
		MBG3867S	555	1.2		2.4	20				
		BR3889S	Red	Pastel Red	Surface Diffused	660	4	8	20		12
		PR3889S				700	0.6	0.9	10		
		VR3889S	630	3		6	20				
		AA3889S	605	2.5		5	20				
		AY3889S	580	2		4	20				
		PY3889S	570	2.5		5	20				
		PG3889S	560	2		4	20				
		BG3889S	555	0.8		1.6	20				

● indicates standard products.

2

▼PACKAGE DIMENSIONS Unit: mm



■ SUPER BRIGHT LED

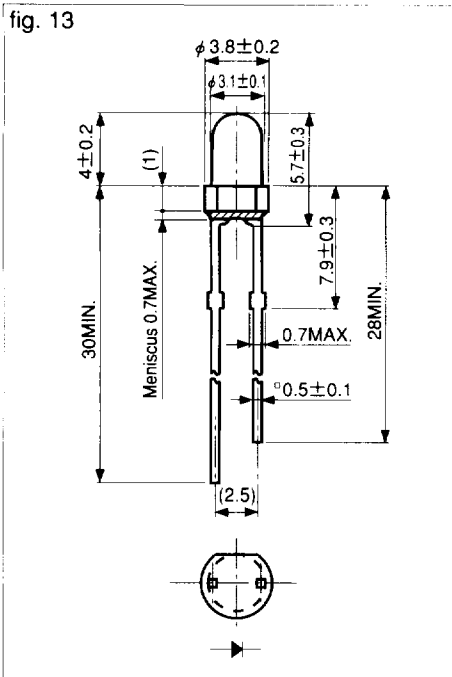
▼ ROUND SHAPE TYPE LED

Ta=25°C

Size	Shape	Type No.	Emitted Color	Lens	Peak Wavelength λ_p (nm)	Luminous Intensity Iv (mcd)			Spatial Distribution (The typical distribution example of each shape is shown below.)	fig.	
						MIN.	TYP.	If (mA)			
$\phi 3$		● EBR / BR3338S	Red	Pastel Red	Difused	660	30 / 15	45 / 30	20		13
		● MPR3338S				700	1.5	3	10		
		● EMVR / MVR3338S	630	20 / 10	30 / 20	20					
		● EMAA / MAA3338S	Orange	Pastel Orange	605	20 / 10	30 / 20	20			
		● EMAY / MAY3338S	Yellow	Pastel Yellow	580	20 / 10	30 / 20	20			
		● EMPY / MPY3338S	Green	Pastel Green	570	30 / 15	45 / 30	20			
		● EMPG / MPG3338S	Pure Green	Pastel Green	560	20 / 10	30 / 20	20			
		● EMBG / MBG3338S	Pure Green	Pastel Green	555	8 / 4	12 / 8	20			
		● EBR / BR3368S	Red	Pastel Red	Clear	660	80 / 40	140 / 80	20		
		● MPR3368S	700	3		6	10				
		● EMVR / MVR3368S	630	40 / 20		60 / 40	20				
		● EMAA / MAA3368S	Orange	Pastel Orange		605	40 / 20	60 / 40	20		
		● EMAY / MAY3368S	Yellow	Pastel Yellow		580	40 / 20	60 / 40	20		
		● EMPY / MPY3368S	Green	Pastel Green		570	60 / 30	90 / 60	20		
		● EMPG / MPG3368S	Pure Green	Pastel Green	560	40 / 20	60 / 40	20			
		● EMBG / MBG3368S	Pure Green	Pastel Green	555	20 / 10	30 / 20	20			
		● EBR / BR3378S	Red	Pastel Red	Difused	660	30 / 15	45 / 30		20	
		● MPR3378S	700	1.5		3	10				
		● EMVR / MVR3378S	630	20 / 10	30 / 20	20					
		● EMAA / MAA3378S	Orange	Pastel Orange	605	20 / 10	30 / 20	20			
		● EMAY / MAY3378S	Yellow	Pastel Yellow	580	20 / 10	30 / 20	20			
● EMPY / MPY3378S	Green	Pastel Green	570	30 / 15	45 / 30	20					
● EMPG / MPG3378S	Pure Green	Pastel Green	560	20 / 10	30 / 20	20					
● EMBG / MBG3378S	Pure Green	Pastel Green	555	10 / 5	15 / 10	20					

● indicates standard products.

▼ PACKAGE DIMENSIONS Unit : mm





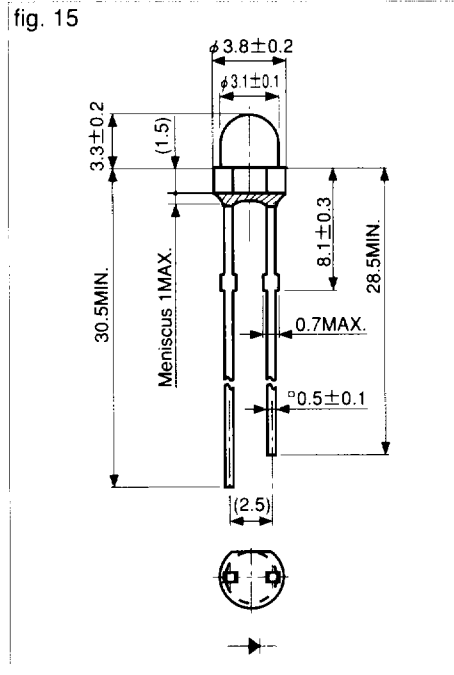
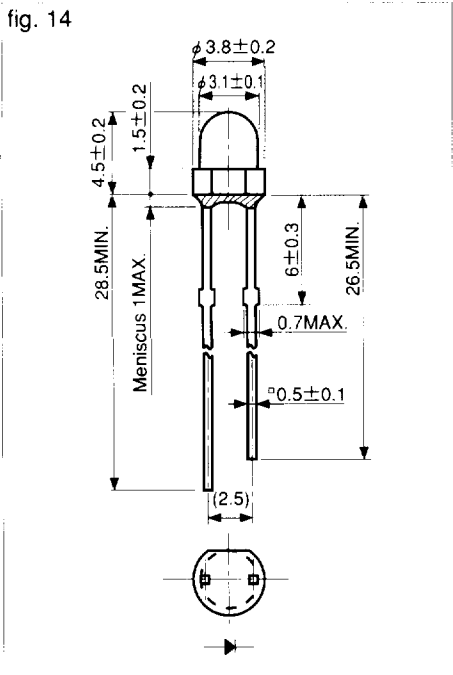
▼ROUND SHAPE TYPE LED

Ta=25°C

Size	Shape	Type No.	Emitted Color	Lens	Peak Wavelength λp (nm)	Luminous Intensity Iv (mcd)			Spatial Distribution (The typical distribution example of each shape is shown below.)	fig.		
						MIN.	TYP.	IF (mA)				
φ3	●	● EBR / BR3361X	Red	Pastel Red	Clear	660	12 / 6	18 / 12	20	14		
		● MPR3361X				700	0.8	1.6	10			
		● EMVR / MVR3361X				630	8 / 4	12 / 8	20			
		● EMAA / MAA3361X	Orange	Pastel Orange	Clear	605	12 / 6	18 / 12	20			
		● EMAY / MAY3361X				Yellow	Pastel Yellow	580	10 / 5		15 / 10	20
		● EMPY / MPY3361X						570	20 / 10		30 / 20	20
		● EMPG / MPG3361X	Green	Pastel Green	Clear	560	12 / 6	18 / 12	20			
		● EMBG / MBG3361X	Pure Green	Pastel Green		555	6 / 3	9 / 6	20			
		● EBR / BR3371X	Red	Pastel Red		Diffused	660	10 / 5	15 / 10		20	
		● MPR3371X			700		0.5	1	10			
		● EMVR / MVR3371X			630		6 / 3	9 / 6	20			
		● EMAA / MAA3371X	Orange	Pastel Orange	Diffused	605	10 / 5	15 / 10	20			
		● EMAY / MAY3371X	Yellow	Pastel Yellow		580	8 / 4	12 / 8	20			
		● EMPY / MPY3371X	Yellow	Pastel Yellow		570	16 / 8	24 / 16	20			
		● EMPG / MPG3371X	Green	Pastel Green	Diffused	560	10 / 5	15 / 10	20			
		● EMBG / MBG3371X	Pure Green	Pastel Green		555	4 / 2	6 / 4	20			
		● BR3362X	Red	Pastel Red		Clear	660	15	30	20		
		● MPR3362X			700		1.5	3	10			
		● MVR3362X			630		10	20	20			
		● MAA3362X	Orange	Pastel Orange	Clear	605	12	24	20			
		● MAY3362X	Yellow	Pastel Yellow		580	10	20	20			
		● MPY3362X	Yellow	Pastel Yellow		570	20	40	20			
		● MPG3362X	Green	Pastel Green	Clear	560	12	24	20			
		● MBG3362X	Pure Green	Pastel Green		555	5	10	20			
		● BR3372X	Red	Pastel Red		Diffused	660	10	20	20		
		● MPR3372X			700		1	2	10			
		● MVR3372X			630		6	12	20			
		● MAA3372X	Orange	Pastel Orange	Diffused	605	8	16	20			
		● MAY3372X	Yellow	Pastel Yellow		580	6	12	20			
		● MPY3372X	Yellow	Pastel Yellow		570	12	24	20			
● MPG3372X	Green	Pastel Green	Diffused	560	8	16	20					
● MBG3372X	Pure Green	Pastel Green		555	4	8	20					

● indicates standard products.

▼PACKAGE DIMENSIONS Unit : mm



SUPER BRIGHT LED

▼ROUND SHAPE TYPE LED

Ta=25°C

Size	Shape	Type No.	Emitted Color	Lens	Peak Wavelength λ_p (nm)	Luminous Intensity Iv (mcd)			Spatial Distribution (The typical distribution example of each shape is shown below.)	fig.	
						MIN.	TYP.	IF (mA)			
$\phi 3$		EBR / BR3402S	Red	Water Clear	Clear	660	30 / 15	60 / 30	20		16
		PR3402S				700	2.5	5	10		
		EAA / AA3402S	Orange			605	16 / 8	24 / 16	20		
		EAY / AY3402S	Yellow			580	16 / 8	24 / 16	20		
		EPY / PY3402S	Pure Green			570	24 / 12	48 / 24	20		
		EBG / BG3402S				555	10 / 5	15 / 10	20		
		EBR / BR3432S	Red	Diffused	Red	660	24 / 12	48 / 24	20		16
		PR3432S				700	1	2	10		
		EAA / AA3432S	Orange			605	12 / 6	18 / 12	20		
		EAY / AY3432S	Yellow			580	12 / 6	18 / 12	20		
		EPY / PY3432S	Pure Green			570	20 / 10	30 / 20	20		
		EBG / BG3432S				Green	555	4 / 2	8 / 4		
		EBR / BR3403S	Red	Water Clear	Clear	660	12 / 6	18 / 12	20		17
		PR3403S				700	0.6	1.2	10		
		EAA / AA3403S	Orange			605	6 / 3	9 / 6	20		
		EAY / AY3403S	Yellow			580	6 / 3	9 / 6	20		
		EPY / PY3403S	Pure Green			570	10 / 5	15 / 10	20		
		EBG / BG3403S				555	2.4 / 1.2	3.6 / 2.4	20		
	EBR / BR3433S	Red	Diffused	Red	660	10 / 5	15 / 10	20		17	
	PR3433S				700	0.5	0.8	10			
	EAA / AA3433S	Orange			605	5 / 2.5	8 / 5	20			
	EAY / AY3433S	Yellow			580	5 / 2.5	8 / 5	20			
	EPY / PY3433S	Pure Green			570	8 / 4	12 / 8	20			
	EBG / BG3433S				Green	555	1.6 / 0.8	2.4 / 1.6			20

● indicates standard products.

▼PACKAGE DIMENSIONS Unit : mm

fig. 16

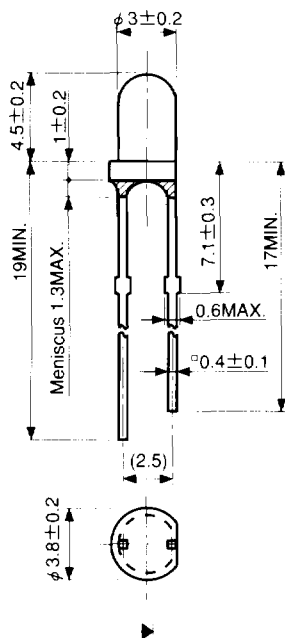
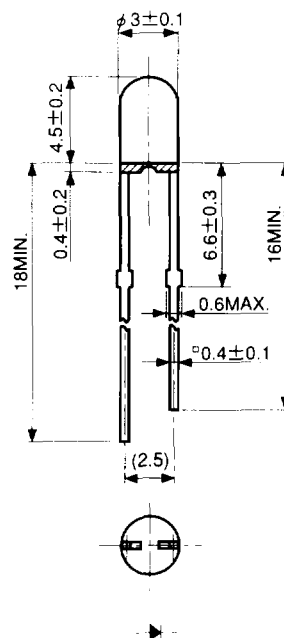


fig. 17



▼FLAT PACKAGE TYPE LED

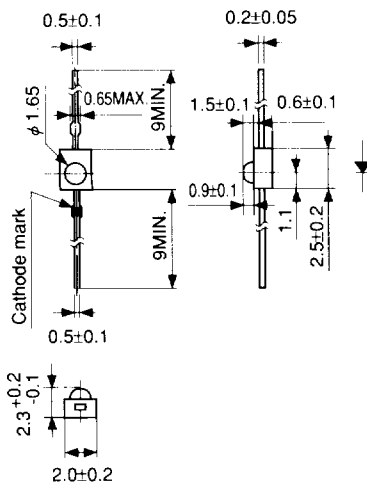
Ta=25°C

Size	Shape	Type No.	Emitted Color	Lens	Peak Wavelength λ_p (nm)	Luminous Intensity Iv (mcd)			Spatial Distribution (The typical distribution example of each shape is shown below.)	Fig.		
						MIN.	TYP.	If (mA)				
$\phi 1.6$		BR2262S	Red	Pastel Red	Clear	660	10	20	20		15	
		MPR2262S				700	0.8	1.6	10			
		MVR2262S				630	8	16	20			
		MAA2262S	Orange	Pastel Orange	605	8	16	20				18
		MAY2262S	Yellow	Pastel Yellow	580	8	16	20				
		MPY2262S	Yellow	Pastel Yellow	570	12	24	20				
		MPG2262S	Green	Pastel Green	560	8	16	20				
		MBG2262S	Pure Green	Pastel Green	555	4	8	20				
		BR2272S	Red	Pastel Red	Diffused	660	8	16				
		MPR2272S				700	0.6	1.2		10		
		MVR2272S				630	6	12		20		
		MAA2272S	Orange	Pastel Orange	605	6	12	20			18	
		MAY2272S	Yellow	Pastel Yellow	580	5	10	20				
		MPY2272S	Yellow	Pastel Yellow	570	8	16	20				
		MPG2272S	Green	Pastel Green	560	6	12	20				
		MBG2272S	Pure Green	Pastel Green	555	2	4	20				
		BR2202S	Red	Water Clear	Clear	660	10	20	20			
		PR2202S				700	0.8	1.6	10			
		VR2202S				630	8	16	20			
		AA2202S				Orange	Water Clear	605	8			16
		AY2202S				Yellow	Water Clear	580	8	16	20	
		PY2202S				Yellow	Water Clear	570	12	24	20	
		PG2202S	Green	Water Clear	560	8	16	20		18		
		BG2202S	Pure Green	Water Clear	555	4	8	20				
		BR2222S	Red	Orange	Diffused	660	10	20			20	
		PR2222S				700	0.8	1.6			10	
		VR2222S				630	8	16			20	
		AA2222S				Orange	Orange	605			8	16
AY2222S	Yellow	Yellow				580	8	16			20	
PY2222S	Yellow	Yellow				570	12	24			20	
PG2222S	Green	Green	560	8	16	20		18				
BG2222S	Pure Green	Green	555	4	8	20						

● indicates standard products.

▼PACKAGE DIMENSIONS Unit : mm

fig. 18



* The BR type has reversed polarity.

2

SUPER BRIGHT LED

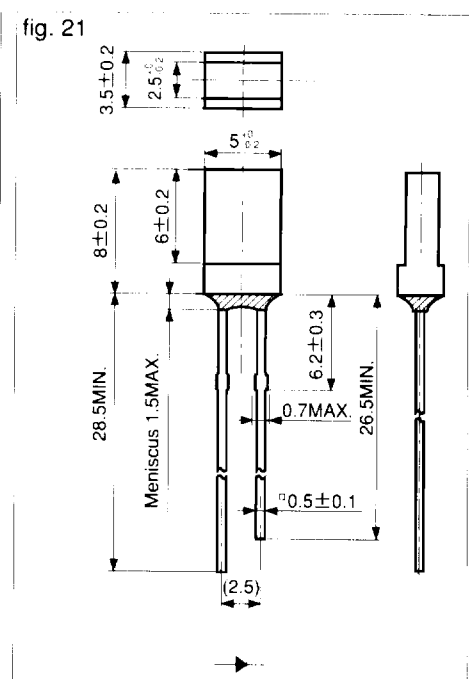
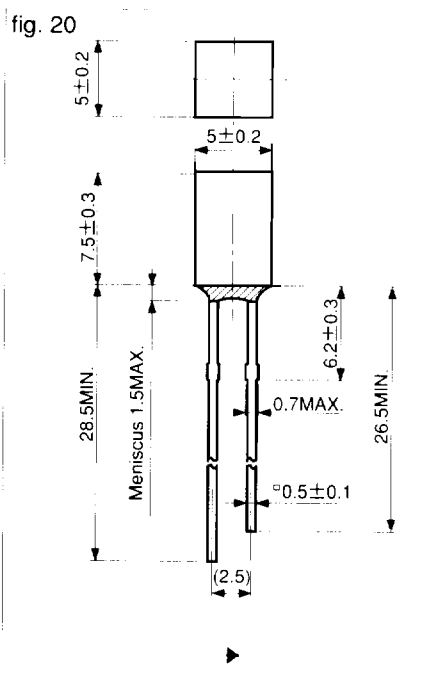
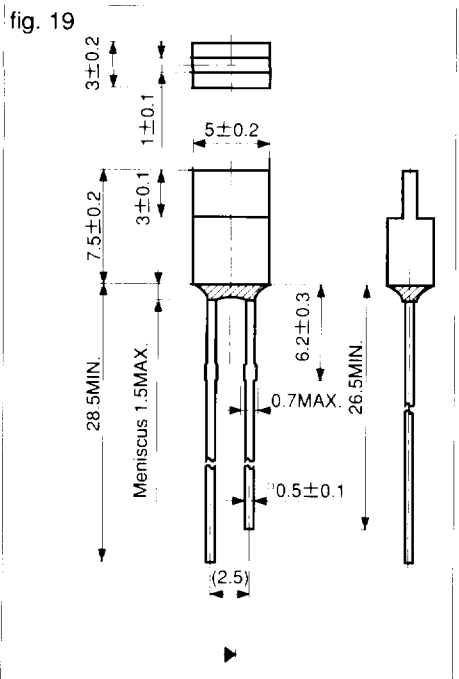
▼RECTANGULAR TYPE LED

Ta=25°C

Size	Shape	Type No.	Emitted Color	Lens Color	Peak Wave Length λ_p (nm)	Luminous Intensity I_v (mcd)			Spatial Distribution (The typical distribution example of each shape is shown below.)	fig.	
						MIN.	TYP.	IF (mA)			
1 X 5		BR5352K	Red	Red	660	1.5	3	20		19	
		MPR5352K			700	0.3	0.5	10			
		MVR5352K			630	1.2	2.4	20			
		MAA5352K	Orange	Orange	Surface Diffused	605	1.2	2.4			20
		MAY5352K				580	1.2	2.4			20
		MPY5352K	Yellow	Yellow		570	2	4			20
		MPG5352K				Green	Green	560			1.5
MBG5352K	Pure Green	Green	555	0.5				1	20		
5 X 5		BR5353K	Red	Red		660	1.5	3	20		20
		MPR5353K				700	0.3	0.5	10		
		MVR5353K			630	1.2	2.4	20			
		MAA5353K	Orange	Orange	Surface Diffused	605	1.2	2.4	20		
		MAY5353K				580	1.2	2.4	20		
		MPY5353K	Yellow	Yellow		570	2	4	20		
		MPG5353K				Green	Green	560	1.5		
MBG5353K	Pure Green	Green	555	0.5				1	20		
2.5 X 5		BR5356K	Red	Red		660	1	2	20		21
		MPR5356K				700	0.3	0.5	10		
		MVR5356K			630	1	2	20			
		MAA5356K	Orange	Orange	Surface Diffused	605	1	2	20		
		MAY5356K				580	1	2	20		
		MPY5356K	Yellow	Yellow		570	1.5	3	20		
		MPG5356K				Green	Green	560	1.2		
MBG5356K	Pure Green	Green	555	0.4				0.8	20		

● indicates standard products.

▼PACKAGE DIMENSIONS Unit : mm



▼RECTANGULAR TYPE LED

Ta=25°C

Size	Shape	Type No.	Emitted Color	Lens Color	Peak Wave Length	Luminous Intensity I _v (mcd)			Spatial Distribution (The typical distribution example of each shape is shown below.)	fig.	
						MIN.	TYP.	I _F (mA)			
1.5 X 4		BR4652K	Red	Red	Surface Diffused	660	1.5	3.0	20	22	
		PR4652K				700	0.4	0.6			10
		AA4652K	Orange	Orange		605	1.5	3			20
		AY4652K	Yellow	Yellow		580	1.5	3			20
		PY4652K				570	2	4			20
		PG4652KY	Green	Green		565	1.5	3			20
BG4652K	Pure Green	555	0.6		1.2	20					
2 X 4		BR4553K	Red	Red	Surface Diffused	660	1.5	3	20	23	
		PR4553K				700	0.3	0.5			10
		AA4553K	Orange	Orange		605	1	2			20
		AY4553K	Yellow	Yellow		580	1	2			20
		PY4553K				570	2	4			20
		PG4553KY	Green	Green		565	1.5	3			20
BG4553K	Pure Green	555	0.5		1	20					
2 X 4		BR4523K-5	Red	Red	Clear	660	3	6	20	24	
		PR4523K-5				700	0.8	1.6			10
		AA4523K-5	Orange	Orange		605	2	4			20
		AY4523K-5	Yellow	Yellow		580	2	4			20
		PY4523K-5				570	3	6			20
		BG4523K-5	Pure Green	Green		555	1.5	3			20

● indicates standard products.

▼PACKAGE DIMENSIONS Unit : mm

fig. 22

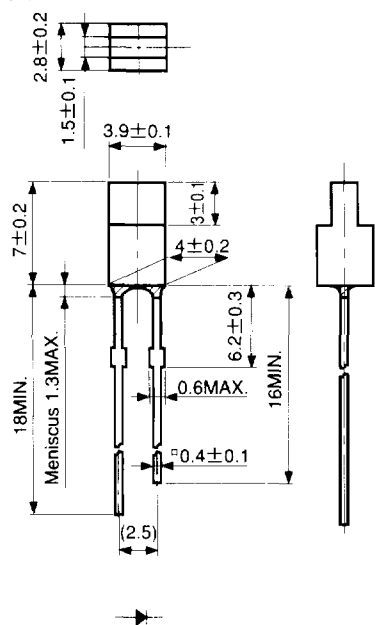


fig. 23

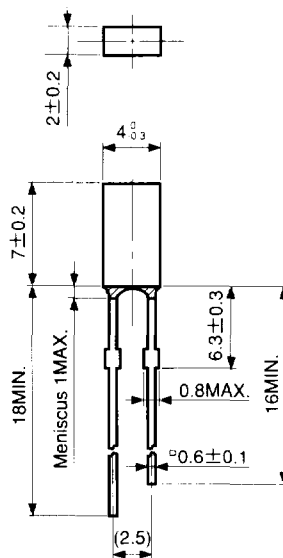
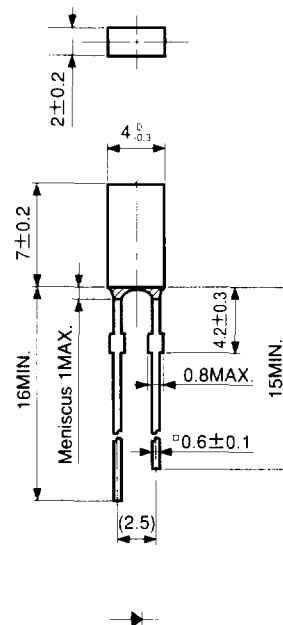


fig. 24



SUPER BRIGHT LED

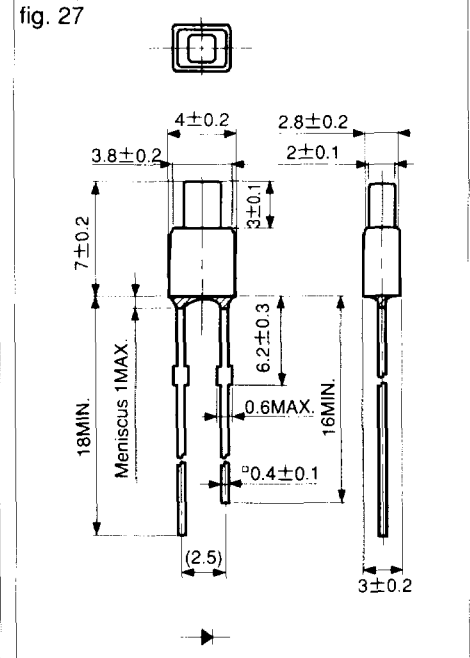
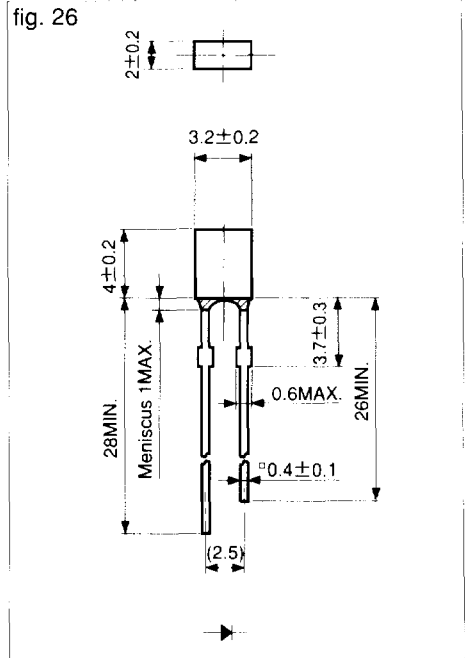
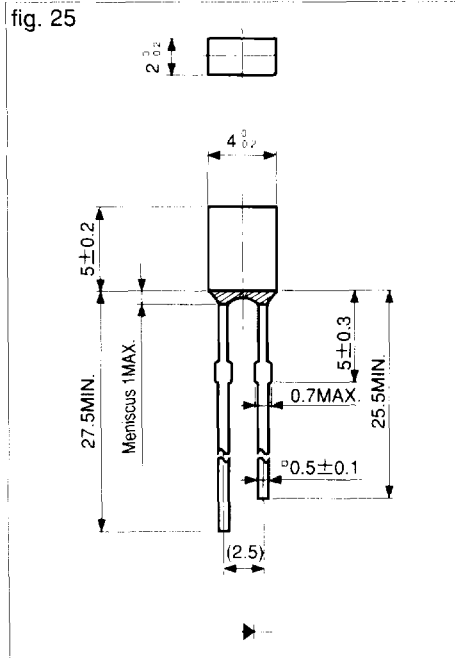
▼RECTANGULAR TYPE/CHIMNEY TYPE LED

Ta=25°C

Size	Shape	Type No.	Emitted Color	Lens Color	Peak Wave Length λ_p (nm)	Luminous Intensity I_v (mcd)			Beam Distribution (The typical distribution example of each shape is shown below.)	Fig.	
						MIN.	TYP.	I_F (mA)			
2 X 4		BR4364K	Red	Pastel Red	660	3	6	20		25	
		MPR4364K			700	1	1.5	10			
		MVR4364K	630	2.5	5	20					
		MAA4364K	Orange	Pastel Orange	Clear	605	3	6			20
		MAY4364K	Yellow	Pastel Yellow	580	3	6	20			
		MPY4364K	Yellow	Pastel Yellow	570	5	10	20			
		MPG4364K	Green	Pastel Green	560	3	6	20			
		MBG4364K	Pure Green	Pastel Green	555	1.5	3	20			
2 X 3		BR3822K	Red	Red	660	2	4	20		26	
		PR3822K			700	0.4	0.8	10			
		VR3822K	630	2	4	20					
		AA3822K	Orange	Orange	Clear	605	2	4			20
		AY3822K	Yellow	Yellow	580	2	4	20			
		PY3822K	Yellow	Yellow	570	2	4	20			
		PG3822K	Green	Green	560	2	4	20			
		BG3822K	Pure Green	Green	555	1	2	20			
Chimney 2 X 2		BR2651K	Red	Red	660	1.5	3	20		27	
		PR2651K			700	0.3	0.5	10			
		AA2651K	Orange	Orange	Surface Diffused	605	1	2			20
		AY2651K	Yellow	Yellow	580	1	2	20			
		PY2651K	Yellow	Yellow	570	2	4	20			
		PG2651KY	Green	Green	565	1.5	3	20			
		BG2651K	Pure Green	Green	555	0.4	0.8	20			

● indicates standard products.

▼PACKAGE DIMENSIONS Unit : mm





▼SEMI-ROUND SHAPE TYPE LED

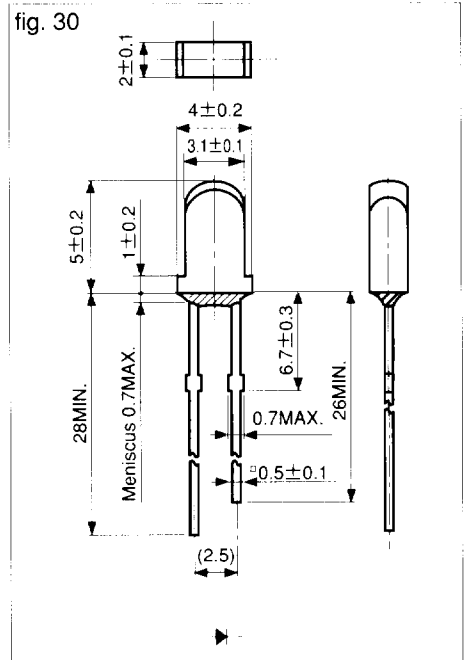
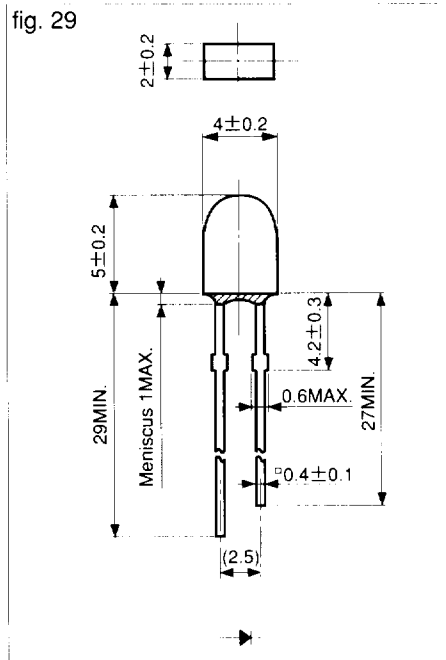
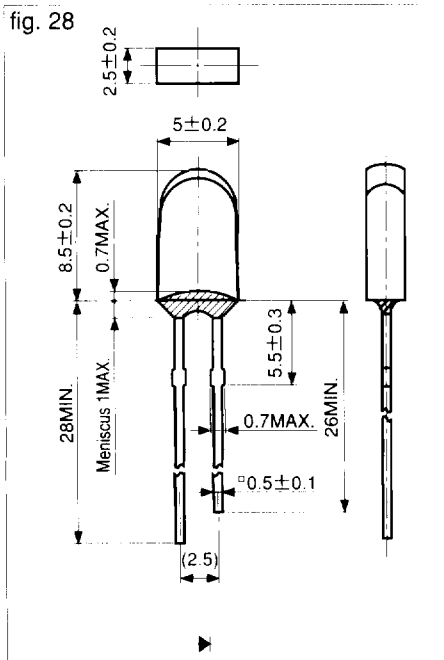
Ta=25°C

Size	Shape	Type No.	Emitted Color	Lens Color	Peak Wave Length λ_p (nm)	Luminous Intensity I_v (mcd)			Spatial Distribution (The typical distribution example of each shape is shown below.)	fig.	
						MIN.	TYP.	I_f (mA)			
2.5 X 5		● BR5379K	Red	Pastel Red	Diffused	660	12	24	20		28
		● MPR5379K				700	1.5	3	10		
		● MVR5379K	630	10		20	20				
		● MAA5379K	605	12		24	20				
		● MAY5379K	580	12		24	20				
		● MPY5379K	570	20		40	20				
		● MPG5379K	560	12		24	20				
		● MBG5379K	Pure Green	Pastel Green		555	3	6	20		
2 X 4		BR4868K	Red	Pastel Red	Clear	660	5	10	20		29
		MPR4868K				700	1	1.5	10		
		MVR4868K	630	4		8	20				
		MAA4868K	605	5		10	20				
		MAY4868K	580	5		10	20				
		MPY4868K	570	6		12	20				
		MPG4868K	560	4		8	20				
		MBG4868K	Pure Green	Pastel Green		555	2	4	20		
2 X 3		BR3363K	Red	Pastel Red	Clear	660	10	20	20		30
		MPR3363K				700	2	4	10		
		MVR3363K	630	8		16	20				
		MAA3363K	605	20		40	20				
		MAY3363K	580	20		40	20				
		MPY3363K	570	30		60	20				
		MPG3363K	560	15		30	20				
		MBG3363K	Pure Green	Pastel Green		555	8	16	20		
		BR3373K	Red	Pastel Red	Diffused	660	8	16	20		30
		MPR3373K				700	1.5	3	10		
		MVR3373K	630	6		12	20				
		MAA3373K	605	10		20	20				
		MAY3373K	580	10		20	20				
		MPY3373K	570	20		40	20				
		MPG3373K	560	10		20	20				
		MBG3373K	Pure Green	Pastel Green		555	5	10	20		

2

● indicates standard products.

▼PACKAGE DIMENSIONS Unit : mm



SUPER BRIGHT LED



▼TRIANGULAR TYPE LED

Ta=25°C

Size	Shape	Type No.	Emitted Color	Lens Color	Peak Wave Length λ_p (nm)	Luminous Intensity I_v (mcd)			Spatial Distribution (The typical distribution example of each shape is shown below.)	fig.
						MIN.	TYP.	IF (mA)		
2 X 5		PR5552T	Red	Red	700	0.3	0.5	10		31
		AA5552T	Orange	Orange	605	1.2	2.4	20		
		AY5552T	Yellow	Yellow	580	1.2	2.4	20		
		PY5552T	Yellow	Yellow	570	2	4	20		
		PG5552TY	Green	Green	565	1.5	3	20		
		BG5552T	Pure Green		555	0.5	1	20		
3 X 5		BR5553T	Red	Red	660	1.5	3	20		32
		PR5553T	Red	Red	700	0.3	0.5	10		
		AA5553T	Orange	Orange	605	1.2	2.4	20		
		AY5553T	Yellow	Yellow	580	1.2	2.4	20		
		PY5553T	Yellow	Yellow	570	2	4	20		
		PG5553TY	Green	Green	565	1.5	3	20		
		BG5553T	Pure Green		555	0.5	1	20		

● indicates standard products.

▼PACKAGE DIMENSIONS Unit : mm

