

SX-3000GB Gigabit USB Device Server

Easily Connect and Share Virtually Any USB Device on a Network



Features & benefits:

Fast - World's First USB Device Networking with Gigabit Support:

Based on Silex's USB IP technology, SX-3000GB is the world's first Gigabit USB device server, achieving the industry's highest network USB throughput delivering smooth network connectivity to your USB devices.

Easy - Turn Any Standard USB Devices into a Network USB Device:

The SX-3000GB ensures full compatibility with all of the functionality of virtually any USB Device and it's software applications. Popular applications include networking of USB Printers and Multifunction Printers, scanners, hard drives, speakers and TV tuners.

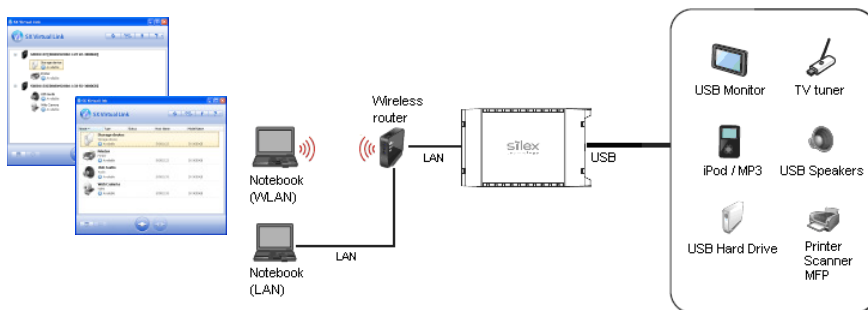
Smart - Manage Network USB Connectivity Intelligently:

Included with SX-3000GB, SX-Virtual Link is a client software that emulates a USB port on the client PC when connected with a USB device. This method ensures full compatibility with the USB device driver and software applications.

Benefits:

- Broadest Printer Compatibility
- Supports all Functions of AIO Printers
- Bidirectional Status/Error Messages including Ink and Toner levels
- Supports any File Format for Storage
- Supports virtually any USB Peripheral

Networking example:



silex technology is a registered trademark of silex technology, Inc. Other product or brand names may be registered trademarks or trademarks of their respective owners. Technical information and specifications are subject to change without notice. © 2010 silex technology, Inc. All rights reserved

Technical Specifications:

Supported Operating Systems	Windows 7, Vista, XP (32 & 64 bits) Windows Server 2008, 2003, Windows 2000 Macintosh 10.2.7 - 10.5.x (Power PC) Macintosh 10.4.3 - 10.6.x* (Intel)
Supported protocol	TCP/IP
Device interface	USB 2.0 Hi-Speed (A-Type) x 2
Network interface	10 / 100 / 1000 Mbps (Auto Detection)
Total number of USB interface connections	15, using additional hub
Configuration	Web browser, Quick Setup
Languages (Installation utility)	English, German, French, Italian, Spanish, Portuguese, Chinese, Japanese
Power supply	AC Adapter (DC 12V, 1.0A)
Power consumption	Up to 5W
Warranty	2 years
Regulatory approvals	FCC, CE, VCCI Class B
Package contents	SX-3000GB, Setup Guide, SVL Users Guide, Warranty Card, CD-ROM with configuration utilities and HTML manuals
Dimensions	2.4 x 3.9 x 1.1 in / 60 x 100 x 28 mm
Weight	3.5 oz / 100 g

* Please visit our web site at www.silexamerica.com for the latest OS and USB device compatibility information.

silex global sales & support locations