





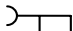
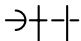




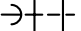
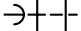
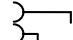
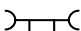





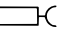


Test Jacks				
				
Series	PBF	PBF	PB	PB
Order numbers (request brochure for details)	0040.1031 to 0040.1035 0040.1361 to 0040.1365	0040.1041 to 0040.1045 0040.1371 to 0040.1375	0040.1011 to 0040.1015	0040.1101 to 0040.1105 0040.1521 to 0040.1525
Rated current	6.3A	6.3A	10A	10A
Panel mounting	•	•		
Pcb mounting			•	•

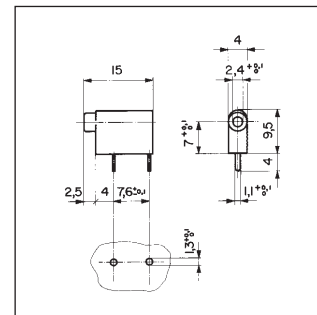
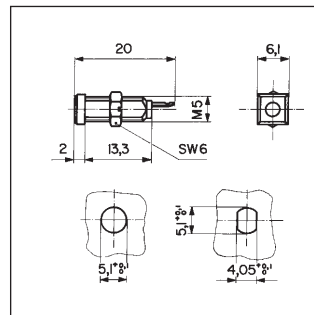
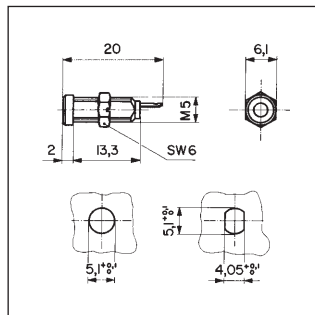
Test Jacks		<i>flux proof</i> 	<i>flux proof</i> <i>kicked terminals for increased stability</i> 	<i>flux proof</i> <i>kicked terminals for increased stability</i> 
				
Series	PBD	PBD	PB	PB
Order numbers (request brochure for details)	0040.1211 to 0040.1215	0040.1231 to 0040.1235 0040.1281 to 0040.1285	0040.1151 TO 0040.1155 0040.1501 TO 0040.1505	0040.1071 TO 0040.1075
Rated current	6.3A	6.3A	6.3A	6.3A
Panel mounting				
Pcb mounting	•	•	•	•

Test Jacks and Probes				
				
Series	PB	PB	PBD	PS
Order numbers (request brochure for details)	0040.1021 to 0040.1025	0040.1061 to 0040.1065	0040.1141 to 0040.1145	0040.1161 to 0040.1165
Rated current	6.3A	6.3A	6.3A	6.3A
Panel mounting				
Pcb mounting	•			

Mounting style

Panel mounting

PCB mounting



Contact system



Rated current

6.3 A

10 A

Contact resistance at 20 mV

< 5 mΩ

< 5 mΩ

< 7 mΩ

Insulation resistance, 1 min. contact to contact

-

-

-

Contact/mounting plate

> 10⁴ MΩ

> 10⁴ MΩ

> 10⁴ MΩ

Dielectric strength, 50 Hz, 1 min. contact to contact

-

-

-

Contact/mounting plate

> 1.5 kV

> 1.5 kV

> 2 kV

Temperature at no current at rated current

-25 °C up to + 100 °C

-25 °C up to + 70 °C

Solderability

2 sec., 235 °C IEC 68-2-20 test Ta, test method 1

Resistance to soldering heat

3 sec., 350 °C

3 sec., 350 °C

-

Surface of contacts (average thickness of gold)

0.5 μm Au

0.5 μm Au

0.5 μm Au

Insulator material

Polycarbonate

Polycarbonate

Polycarbonate

UL flammability rating

UL 94 V-2

UL 94 V-2

UL 94 V-2

Oxygen index rating

26%

26%

26%

Gold-plated contacts/terminals

PBF	
0040.1031	black
0040.1032	red
0040.1033	green
0040.1034	blue
0040.1035	yellow

PBF	
0040.1041	black
0040.1042	red
0040.1043	green
0040.1044	blue
0040.1045	yellow

PB	
0040.1011	black
0040.1012	red
0040.1013	green
0040.1014	blue
0040.1015	yellow

Gold-plated contacts are recommended for highest quality connections

Tin-plated contacts/terminals

PBF	
0040.1361	black
0040.1362	red
0040.1363	green
0040.1364	blue
0040.1365	yellow

PBF	
0040.1371	black
0040.1372	red
0040.1373	green
0040.1374	blue
0040.1375	yellow

-

Order No. / Color

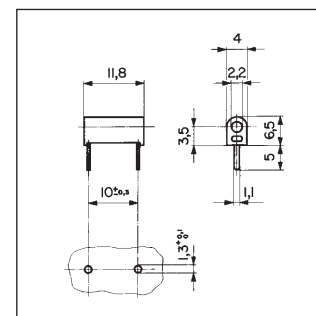
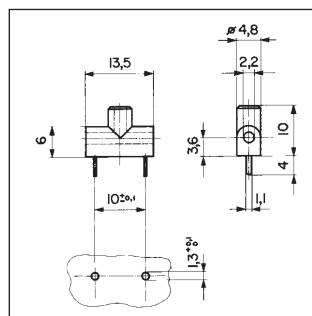
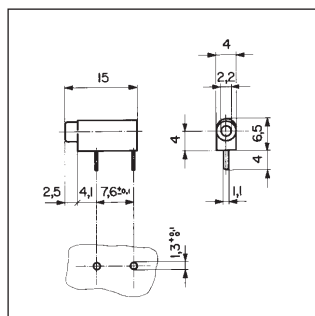
Order numbers for tin-plated contacts require 10,000 pcs. minimum

Mounting style

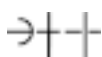
Pcb mounting



DIN 41649/1



Contact system



Rated current

10 A

6.3 A

Contact resistance at 20 mV

< 7 mΩ

< 7 mΩ

< 10 mΩ

Insulation resistance, 1 min. contact to contact

> 10⁴ MΩ

-

-

Contact/mounting plate

> 10⁴ MΩ

> 10⁴ MΩ

-

Dielectric strength, 50 Hz, 1 min. contact to contact

> 3 kV

-

-

Contact/mounting plate

> 3 kV

> 1 kV

> 0.5 kV

Temperature at no current at rated current

-25 °C up to +100 °C

-25 °C up to +70 °C

Solderability

2 sec., 235 °C IEC 68-2-20 test Ta, test method 1

Resistance to soldering heat

5 sec., 260 °C IEC 68-2-20 test Tb, test method 1 A

Surface of contacts (average thickness of gold)

0.5 μm Au

0.5 μm Au

0.5 μm Au

Insulator material

Polycarbonate

Polycarbonate

Polycarbonate

UL flammability rating

UL 94 V-2

UL 94 V-2

UL 94 V-2

Oxygen index rating

26%

26%

26%

Gold-plated contacts/terminals

PB

PB

PB

Order No. / Color

0040.1101	black
0040.1102	red
0040.1103	green
0040.1104	blue
0040.1105	yellow

0040.1021	black
0040.1022	red
0040.1023	green
0040.1024	blue
0040.1025	yellow

0040.1071	black
0040.1072	red
0040.1073	green
0040.1074	blue
0040.1075	yellow

Gold-plated contacts are recommended for highest quality connections

Tin-plated contacts/terminals

PB

-

-

Order No. / Color

0040.1521	black
0040.1522	red
0040.1523	green
0040.1524	blue
0040.1525	yellow

Order numbers for tin-plated contacts require 10,000 pcs. minimum

Mounting style

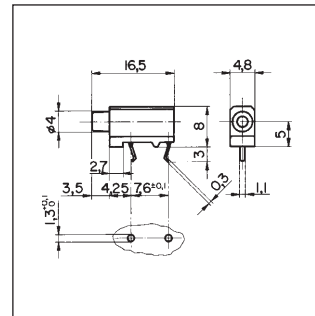
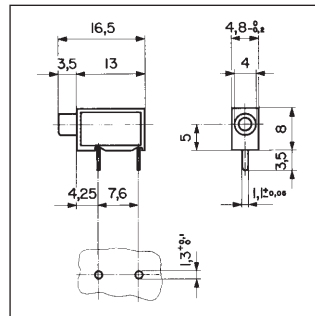
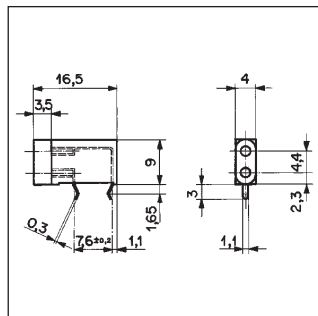
Pcb mounting



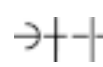
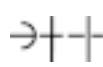
Flux-proof terminals



Flux-proof terminals



Contact system



Rated current

6.3 A

Contact resistance at 20 mV

< 7 mΩ

< 10 mΩ

< 10 mΩ

Insulation resistance, 1 min. contact to contact

> 10⁴ MΩ

> 10⁴ MΩ

> 10⁴ MΩ

Contact/mounting plate

> 10⁴ MΩ

> 10⁴ MΩ

> 10⁴ MΩ

Dielectric strength, 50 Hz, 1 min. contact to contact

> 2 kV

> 2 kV

> 2 kV

Contact/mounting plate

> 2 kV

> 2 kV

> 1.2 kV

Temperature at no current at rated current

-25 °C up to +100 °C

-25 °C up to +70 °C

Solderability

2 sec., 235 °C IEC 68-2-20 test Ta, test method 1

Resistance to soldering heat

5 sec., 260 °C IEC 68-2-20 test Tb, test method 1 A

5 sec., 260 °C IEC 68-2-20 test Tb, test method 1 A

-

Surface of contacts (average thickness of gold)

2.0 μm Au

2.5 μm Au

2.0 μm Au

Insulator material

Polycarbonate

Polycarbonate

Polycarbonate⁽¹⁾
Polybutylenterephthalate⁽²⁾

UL flammability rating

UL 94 V-2

UL 94 V-2

UL 94 V-2⁽¹⁾, UL 94 V-0⁽²⁾

Oxygen index rating

26%

26%

26%⁽¹⁾, 31% (0041.1281 only),
or 32% (0041.1282-.1285)

Gold-plated contacts/terminals

PB	
0040.1151	black
0040.1152	red
0040.1153	green
0040.1154	blue
0040.1155	yellow

PBD	
0040.1211	black
0040.1212	red
0040.1213	green
0040.1214	blue
0040.1215	yellow

PBD ⁽¹⁾	
0040.1231	black
0040.1232	red
0040.1233	green
0040.1234	blue
0040.1235	yellow

Gold-plated contacts are recommended for highest quality connections

Tin-plated contacts/terminals

PB	
0040.1501	black
0040.1502	red
0040.1503	green
0040.1504	blue
0040.1505	yellow

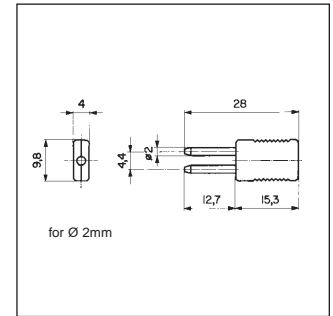
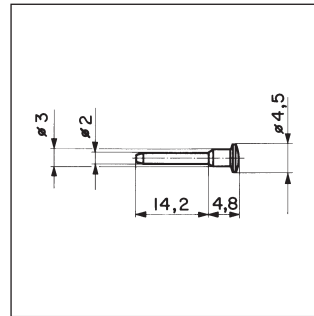
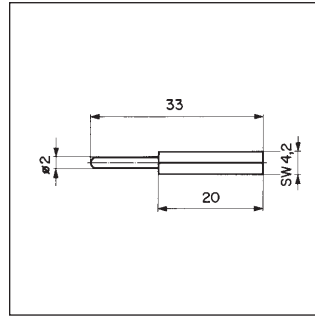
-

PBD ⁽²⁾ (gold contacts / tin terminals)	
0040.1281	black
0040.1282	red
0040.1283	green
0040.1284	blue

Order No. / Color

Order numbers for tin-plated contacts require 10,000 pcs. minimum

Test Probes



Contact system

-

-



Rated current

6.3 A

Contact resistance at 20 mV

-

-

< 7 mΩ

Insulation resistance, 1 min. contact to contact

-

-

-

Contact/mounting plate

-

-

> 10⁴ MΩ

Dielectric strength, 50 Hz, 1 min. contact to contact

-

-

-

Contact/mounting plate

-

-

> 1.8 kV

Temperature at no current at rated current

-25 °C up to +100 °C

-25 °C up to +100 °C

-25 °C up to +55 °C

-25 °C up to +70 °C

Solderability

2 sec., 235 °C IEC 68-2-20 test Ta, test method 1

Resistance to soldering heat

-

-

-

Surface of contacts (average thickness of gold)

1.5 μm Ni (gold on request)

1.0 μm Au

2.0 μm Au plated

Insulator material

Polycarbonate

Polycarbonate

Polycarbonate

UL flammability rating

UL 94 V-2

UL 94 V-2

UL 94 V-2

Oxygen index rating

26%

26%

26%

Gold-plated contacts/terminals

PS (Nickel-plated)

PS

PS

Order No. / Color

0040.1141	black
0040.1142	red
0040.1143	green
0040.1144	blue
0040.1145	yellow

0040.1061	black
0040.1062	red
0040.1063	green
0040.1064	blue
0040.1065	yellow

0040.1161	black
0040.1162	red
0040.1163	green
0040.1164	blue
0040.1165	yellow

Gold-plated contacts are recommended for highest quality connections

Tin-plated contacts on request