

DC Axial Fans

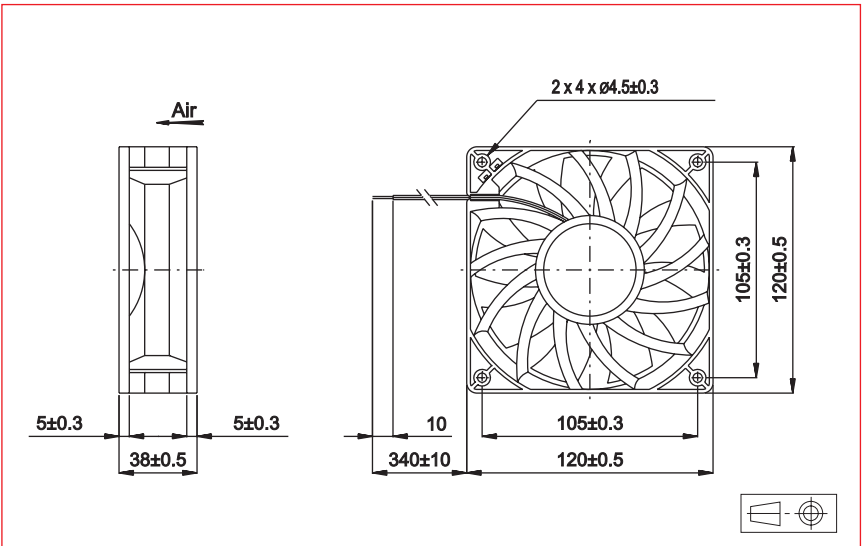


Approvals



Life expectancy

L-10 LIFE AT 40°C:
70 000 hours

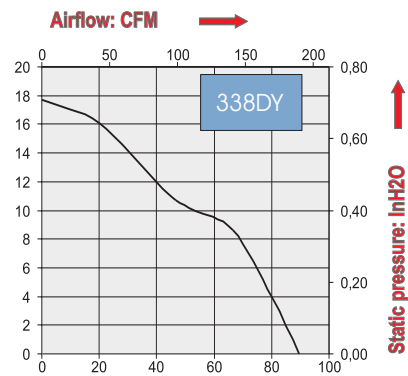
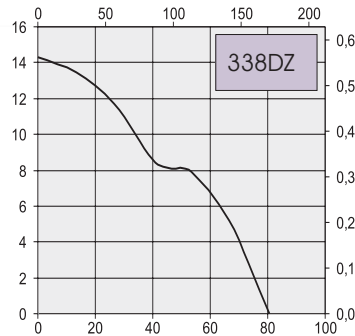
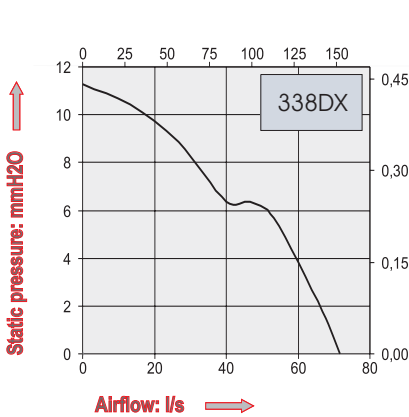


Brushless DC Motor

Electrical protection: integrated circuit
Housing material: plastic UL 94 V0
Impeller material: plastic UL 94 V0
Maximum weight: 370 g
Bearing system: ball bearings
Connection: flying leads
IP 20

Available with:

- Speed sensor
- Alarm
- IP 54 / IP 55



Part Number	Nominal voltage	Airflow	Noise level	Nominal speed	Input Power	Voltage range	Operating temperature	
	V	l/s	dB(A)	RPM	W	V	Min.°C	Max.°C
338DX1LP11000	12	71,7	53	3200	12,0	(7-13,2)	-10	60
338DX2LP11000	24	71,7	53	3200	13,4	(14-26,4)	-10	60
338DX4LP11000	48	71,7	53	3200	13,4	(28-56)	-10	60
338DZ1LP11000	12	80,7	56,5	3600	18,0	(7-13,2)	-10	60
338DZ2LP11000	24	80,7	56,5	3600	19,2	(14-26,4)	-10	60
338DZ4LP11000	48	80,7	56,6	3600	18,2	(28-56)	-10	60
338DY1LP11000	12	89,7	59	4000	24,0	(7-13,2)	-10	60
338DY2LP11000	24	89,7	59	4000	24,0	(14-26,4)	-10	60
338DY4LP11000	48	89,7	59	4000	24,0	(28-56)	-10	60