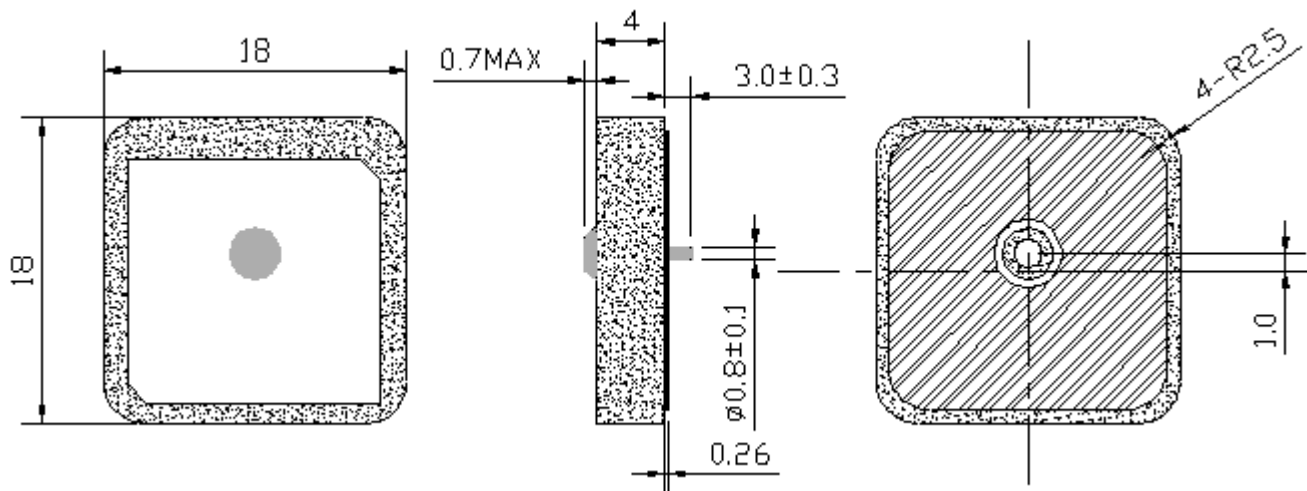


ELECTRICAL SPECIFICATION

SPECIFICATIONS	SPECIFICATIONS	UNIT
Receiving Frequency	1575	MHz
Center Frequency (with 50x50 GND Plane)	1575	MHz
Bandwidth (Return Loss \leq -10dB), min	5	MHz
VSWR (in Center Frequency), max	1.5	-
Gain (Zenith), typ	2.5	dBi
Axial Ratio, max	5	dB
Polarization	RHCP	-
Impedance	50	Ω
Frequency Temperature Coefficient	0 ± 10	ppm/ $^{\circ}$ C

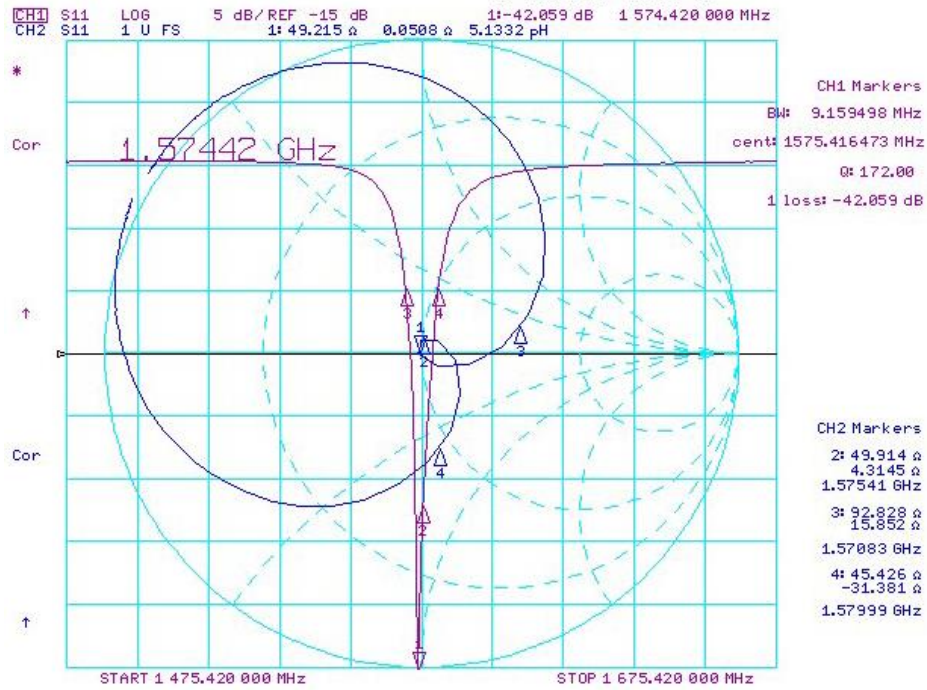
DIMENSIONS



Dimensions mm

Tolerance ± 0.2 mm

FREQUENCY CHARACTERISTICS



June 2017