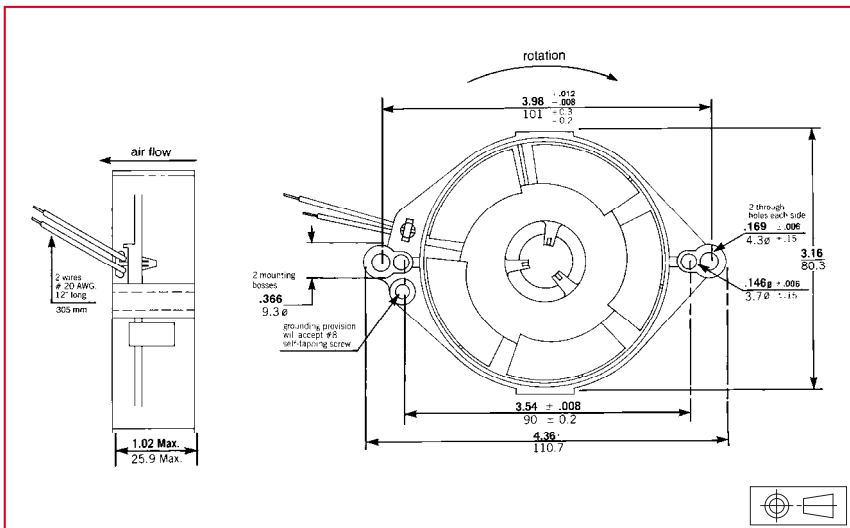


**AC Axial Fans**



**Approvals**



GAM T1 listed

**Life expectancy**

L-10 LIFE AT 40°C:

50 000 hours

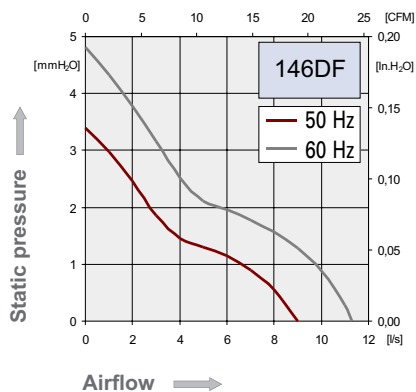
**AC Motor**

Electrical protection: impedance protected

Housing material: zamak

Impeller material: plastic UL 94 VO

Weight: 0,3 kg



Part number	Nominal voltage	Airflow	Noise level	Nominal speed	Frequency	Phases	Capacitor	Input power	Nominal current	Starting current	Bearing system		Connection type		Operating temperature	
	V	l/s	dB(A)	RPM	Hz		µF	W	mA	mA	Ball	Sleeve	Leads	Terminals	Min. °C	Max. °C
146DF2182004	115	9	26	2500	50	1		6	70	120		X	X		- 10	55
		11	32	3100	60	1		5	60	110		X	X		- 10	55
146DF2181000	208-240	9	26	2500	50	1		11	60	70		X	X		- 10	55
		11	32	3100	60	1		9	50	60		X	X		- 10	55
146DF0182004	115	9	26	2500	50	1		6	70	120	X		X		- 10	55
		11	32	3100	60	1		5	60	110	X		X		- 10	55
146DF0181000	208-240	9	26	2500	50	1		11	60	70	X		X		- 10	55
		11	32	3100	60	1		9	50	60	X		X		- 10	55

**Additional versions:**

Shock and vibration protected - wide temperature range  
Ball bearings - other speeds - marine specifications - salt spray protection

**Accessories:**

- Plastic finger guards PFG-80 & 81-53
- Metal finger guard P/N : 12601-43
- Rubber mounts P/N : AM-10
- Speed nuts 6.32
- Rubber mounts P/N AM10
- Plastic filter P/N : F80/T102