



HOME, Products > Passive Components > Resistors > Ultra-low Ohmic Chip Resistors for Current Detection (PMR series) > PMR50HZPF

Ultra-low Ohmic Chip Resistors For Current Detection

PMR50HZPF

Inquiries concerning our products

Data Sheet

Print

[Product description]

Ultra-low ohmic chip resistors for current detection are specialized in low resistance employing metal resistive element tolerant to high current and uniquely designed trimingless to attain precise resistance for accurate current detection and high-current switching.

Features

- Superior heat dissipation by ROHM's original (resistive element) trimingless structure.
- Ultr-low ohmic value from 1mOhm. Excellent temperature coefficient characteristics (+/- 100ppm/°C)
- All the part numbers are completely Pb free.

Product specifications

Ratings		
Rated parameters	Standard value	Conditions
Size code(mm)	5025	
Rated power(W)	1	
Rated voltage	Rated Voltage Calculate For Next Mathematical Expression. $E = \sqrt{P \times R}$ P:Rated Voltage(W) R:Standard Nominal Resistance Values(Ω)	
Limiting element voltage	-	
Operating tepmerature range(°C)	-55 to +155	

Resistance value list

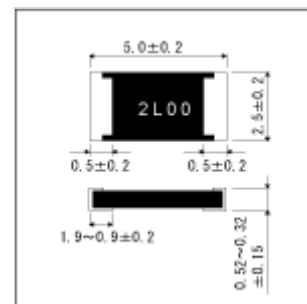
Resistance tolerance	Resistance range (mΩ)	Resistance value series	Temperature coefficient (ppm/°C)
F (±1%)	1 to 10	-	±100

Outline



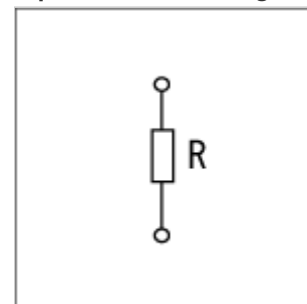
5025

Dimensions



* Click to enlarge.

Equivalent circuit diagram



ICs

Discrete Semiconductors

Opto Electronics

Passive Components

Resistors

Compact Thick Film Chip Resistors (MCR series)

Thick Film Chip Resistors (MCR series)

Thick Film Chip Resistors <Narrow Pitch Taping> (MCR series)

Low Ohmic Chip Resistors (MCRseries)

Fixed Thick Film Low Ohmic Chip Resistors For Current Detection (UCR series)

Ultra-Low Ohmic Chip Resistors for Current Detection (PMR series)

Ultra-low Ohmic hip Resistors for Current Detection <Wide Terminal type> (PML series)

Anti-surge Chip Resistors (ESR series)

High-Voltage Resistance Chip Resistors (KTR series)

High Power Chip Resistors <Wide Terminal Type> (LTR series)

High Power Low Ohmic Chip Resistors <Wide Terminal Type> (LTR series)

Sulfur Tolerant Chip Resistors (TRR series)

Compact Chip Resistor

[Networks \(MNR series\)](#)

[Chip Attenuators \(RCN series\)](#)

[Tantalum Capacitors](#)

[Three-terminal EMI Filters](#)

**Modules
(Sub Systems)**



*The contents described here are just outline for introduction.

Status Product

Please obtain the specification sheets from us for thorough check before

Part No.	Resistance (mΩ)	Status *	RoHS	Packing style	Package quantity	Samples	Sales
PMR50HZPFU10L0	10	Active	Yes	Taping(4mm Pitch)	2000		Inquiry
PMR50HZPFU5L00	5	Active	Yes	Taping(4mm Pitch)	2000		Inquiry
PMR50HZPFU6L00	6	Active	Yes	Taping(4mm Pitch)	2000		Inquiry
PMR50HZPFU7L00	7	Active	Yes	Taping(4mm Pitch)	2000		Inquiry
PMR50HZPFU8L00	8	Active	Yes	Taping(4mm Pitch)	2000		Inquiry
PMR50HZPFU9L00	9	Active	Yes	Taping(4mm Pitch)	2000		Inquiry
PMR50HZPFV1L00	1	Active	Yes	Taping(4mm Pitch)	2000		Inquiry
PMR50HZPFV2L00	2	Active	Yes	Taping(4mm Pitch)	2000		Inquiry
PMR50HZPFV3L00	3	Active	Yes	Taping(4mm Pitch)	2000		Inquiry
PMR50HZPFV4L00	4	Active	Yes	Taping(4mm Pitch)	2000		Inquiry

* Active: Production or current type Preparation: Preliminary type Preview: Development type

Others

Part number	Size code	Rated power (70°C)(W)	Limiting element voltage (V)	Resistance tolerance	Operating temperature range (°C)	RoH
PMR03EZPJ	1608	0.25	-	J (±5%)	-55 to +155	Ye
PMR03EZPF	1608	0.25	-	F (±1%)	-55 to +155	Ye
PMR10EZPJ	2012	0.5	-	J (±5%)	-55 to +155	Ye
PMR10EZPG	2012	0.5	-	G (±2%)	-55 to +155	Ye
PMR10EZPF	2012	0.5	-	F (±1%)	-55 to +155	Ye
PMR18EZPJ	3216	0.75	-	J (±5%)	-55 to +155	Ye
PMR18EZPF	3216	0.75	-	F (±1%)	-55 to +155	Ye
PMR25HZPJ	3225	1	-	J (±5%)	-55 to +155	Ye
PMR25HZPF	3225	1	-	F (±1%)	-55 to +155	Ye
PMR50HZPJ	5025	1	-	J (±5%)	-55 to +155	Ye
PMR50HZPF	5025	1	-	F (±1%)	-55 to +155	Ye
PMR100HZPJ	6432	2	-	J (±5%)	-55 to +155	Ye
PMR100HZPF	6432	2	-	F (±1%)	-55 to +155	Ye

[Privacy Policy](#)

[Terms & Conditions](#)

Co