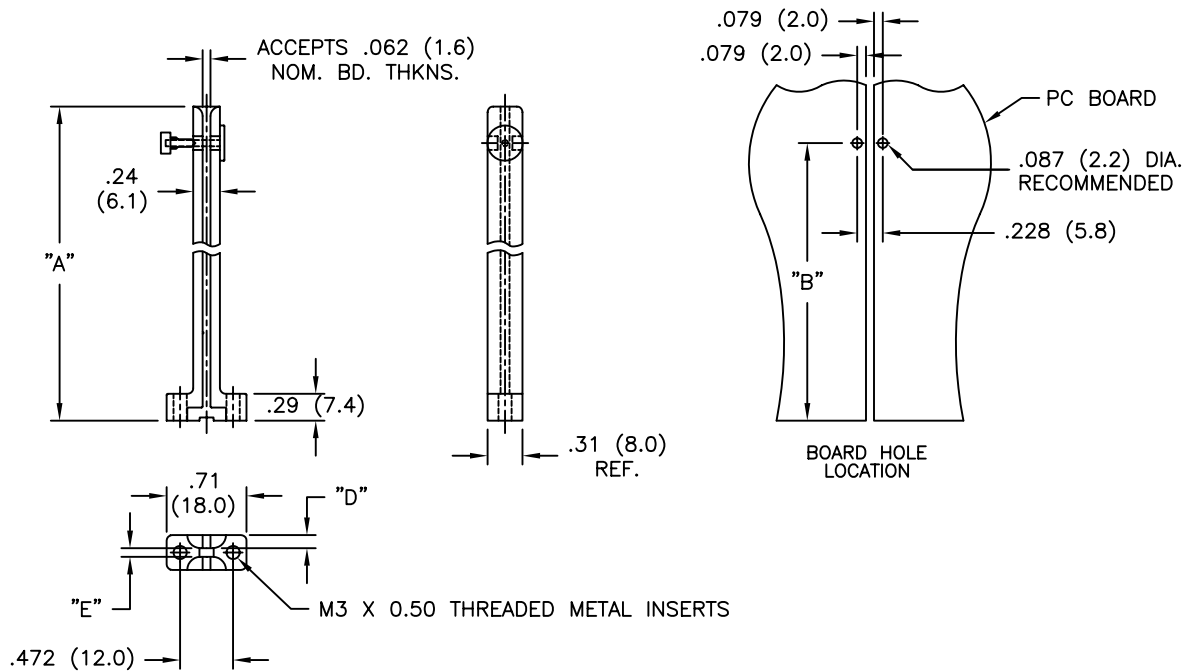


PART NO.	"A"	"B"	"D"	"E"
VMCG-50-MPBK-K	1.83 (46.5)	1.67 (42.3)	.104 (2.6)	.105 (2.7)
VMCG-65-MPBK-K	2.56 (65.0)	2.22 (56.5)	.118 (3.0)	.079 (2.0)
VMCG-90-MPBK-K	3.54 (90.0)	3.21 (81.5)		
VMCG-135-MPBK-K	5.31 (135.0)	4.98 (126.5)	.118 (3.0)	.079 (2.0)
VMCG-160-MPBK-K	6.30 (160.0)	4.43 (112.5)		
VMCG-330-MPBK-K	4.73 (120.1)	4.43 (112.5)		



NOTES:

1. MATERIAL: NYLON 6, GLASS FILLED, (RMS-38)
2. COLOR: GRAY.
3. COMPONENTS:
 - A) LOCKING BUTTON: HDPE (RMS-284)
 - B) SCREW: STAINLESS STEEL (RMS-228)
 - C) THREADED INSERT: BRASS (RMS-231)
 - D) WASHER: STAINLESS STEEL (RMS-228)

TITLE: VERTICAL MOUNT CARD GUIDE, TYPE 1			DWG IN IN (MM)		FINAL		
J	SEE ECN #1356 FOR CHANGES	SK 08.22.07	FILE # VMCG-1	DWN: P.B.	APP:	PART #	PRINT TYPE
I	SEE ECN #1285 FOR CHANGES	SK 02.12.07	MAT'L: SEE NOTES	DT: 03-23-94	DT:		
H	SEE ECN #1146 FOR CHANGES	SJ 3.28.06	RE: RICHCO, INC.	RICHCO INC. PO BOX 804238, CHICAGO, 60680 (773) 539-4060			
X	SEE ENGINEERING FOR REV. A~G						
REV	DESCRIPTION	ENGR DATE	TOLERANCES UNLESS NOTED .XX=±.010 .XXX=±.005 FRAC=±1/64 ANG=±1'				