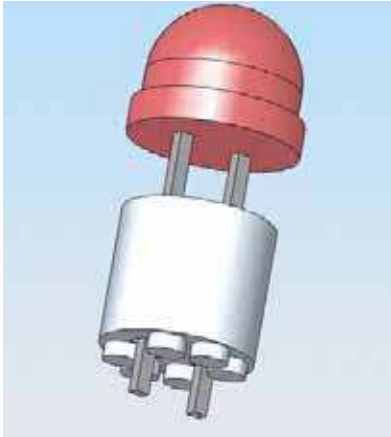


LED HARDWARE

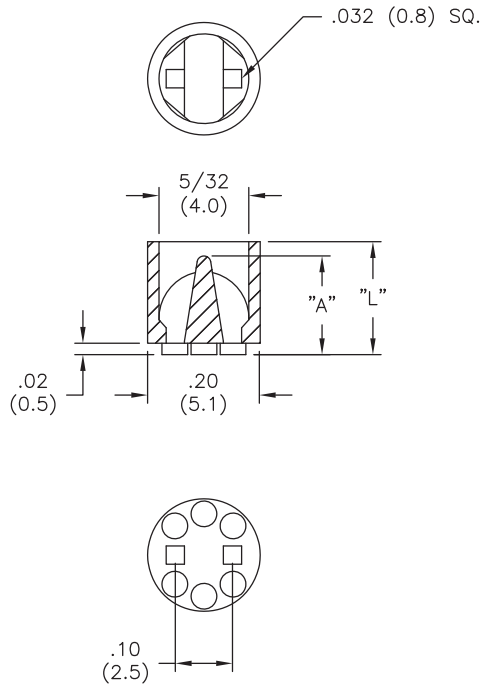
LEDS2M

Molded LED Spacer



- Spaces LED from surface of board, minimizing shifting and height variations
- Unique internally tapered design allows for quick and easy insertion of LED
- Positive self-alignment of leads on .100 (2.5) centers

For T-1 3/4 Series LED

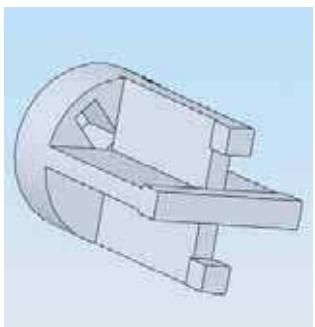
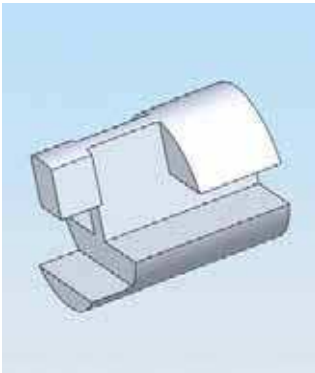


Material: Nylon 6/6, RMS-48 • Color: Natural		
Part Number	Standard Pack: 1000 per bag	
	"L" ± .010 (0.25)	"A" Ref
LEDS2M-120-48	.120 (3.0)	.08 (2.0)
LEDS2M-140-48	.140 (3.6)	
LEDS2M-160-48	.160 (4.1)	
LEDS2M-180-48	.180 (4.6)	
LEDS2M-200-48	.200 (5.1)	
LEDS2M-220-48	.220 (5.6)	
LEDS2M-240-48	.240 (6.1)	.20 (5.1)
LEDS2M-250-48	.250 (6.4)	
LEDS2M-260-48	.260 (6.6)	
LEDS2M-280-48	.280 (7.1)	
LEDS2M-300-48	.300 (7.6)	
LEDS2M-340-48	.340 (8.6)	
LEDS2M-360-48	.360 (9.1)	.33 (8.4)
LEDS2M-380-48	.380 (9.7)	
LEDS2M-400-48	.400 (10.2)	
LEDS2M-420-48	.420 (10.7)	
LEDS2M-450-48	.450 (11.4)	
LEDS2M-460-48	.460 (11.7)	
LEDS2M-550-48	.550 (14.0)	.45 (11.4)
LEDS2M-600-48	.600 (15.2)	
LEDS2M-650-48	.650 (16.5)	.58 (14.7)
LEDS2M-850-48	.850 (21.6)	
LEDS2M-900-48	.900 (22.9)	.70 (17.8)

F

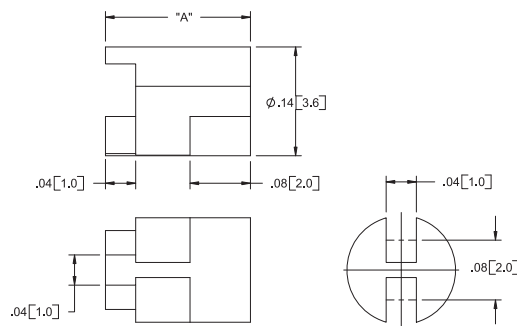
LEDS1E/LEDS2E

Molded LED Spacers



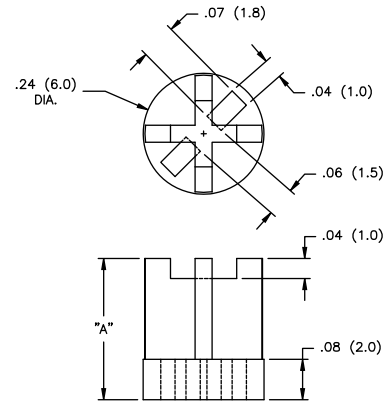
LEDS1E

For T-1 Series LED



LEDS2E

For T-1 3/4 Series LED



Material: Nylon 6/6, RMS-01* Color: Natural	
Part No.	Standard Pack: 1000 per bag "A"
LEDS1E-3-01	3/16 (4.8)
LEDS1E-4-01	1/4 (6.4)
LEDS1E-6-01	3/8 (9.5)
LEDS1E-8-01	1/2 (12.7)
LEDS1E-10-01	5/8 (15.9)
LEDS1E-12-01	3/4 (19.1)
LEDS1E-14-01	7/8 (22.2)
LEDS1E-16-01	1 (25.4)

*Flame Retardant Nylon, RMS-19
To order, replace -01 with-19.

Material: Nylon 6/6, RMS-01* Color: Natural	
Part No.	Standard Pack: 1000 per bag "A"
LEDS2E-3-01	3/16 (4.8)
LEDS2E-4-01	1/4 (6.4)
LEDS2E-6-01	3/8 (9.5)
LEDS2E-8-01	1/2 (12.7)
LEDS2E-10-01	5/8 (15.9)
LEDS2E-12-01	3/4 (19.1)
LEDS2E-14-01	7/8 (22.2)
LEDS2E-16-01	1 (25.4)

*Flame Retardant Nylon, RMS-19
To order, replace -01 with-19.