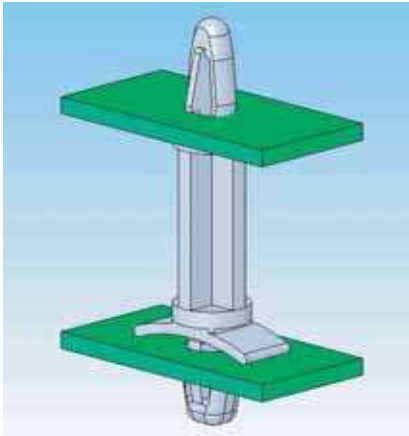


## LCBS

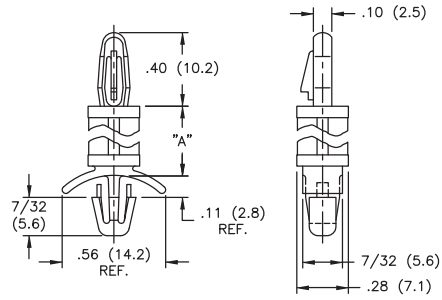
### Locking Circuit Board Support



## LCBS

**Top Hole:** Snap-lock:  $.156 \pm .003$  (4.00 ± 0.08)  
**Panel Thickness:**  $.062$  (1.57)

**Fig. 1**

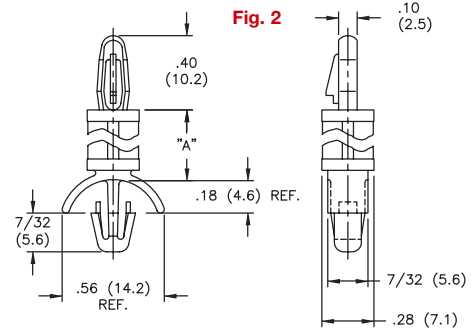


**Bottom Hole:** Snap-lock:  $.187 \pm .003$  (4.75 ± 0.08)  
**Panel Thickness:**  $.031 - .078$  (0.79 - 1.98)  
**\*\*Panel Thickness:**  $.055 - .080$  (1.40 - 2.03)

## LCBS-2

**Top Hole:** Snap-lock:  $.156 \pm .003$  (4.00 ± 0.08)  
**Panel Thickness:**  $.062$  (1.57)

**Fig. 2**



**Bottom Hole:** Snap-lock:  $.187 \pm .003$  (4.75 ± 0.08)  
**Panel Thickness:**  $.078 - .140$  (1.98 - 3.56)

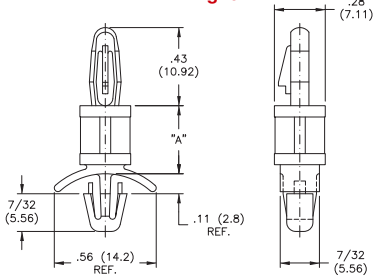
### Features

- Unique locking device provides a mechanically secure connection
- One piece design eliminates the need for screws, nuts and washers
- LCBS Series available in high temperature material, see table for details

## LCBS-3

**Top Hole:** Snap-lock:  $.156 \pm .003$  (4.00 ± 0.08)  
**Panel Thickness:**  $.093$  (2.36)

**Fig. 3**

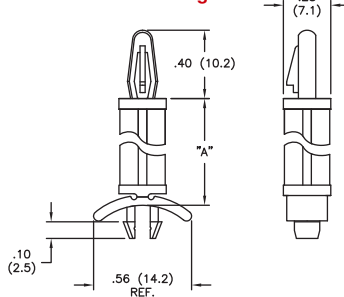


**Bottom Hole:** Snap-lock:  $.187 \pm .003$  (4.75 ± 0.08)  
**Panel Thickness:**  $.031 - .078$  (0.79 - 1.98)

## LCBS-5

**Top Hole:** Snap-lock:  $.156 \pm .003$  (4.00 ± 0.08)  
**Panel Thickness:**  $.062$  (1.57)

**Fig. 4**

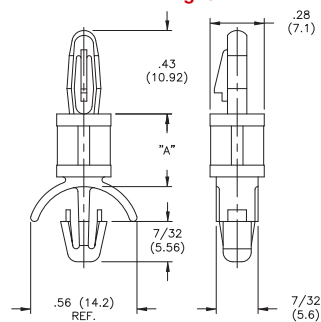


**Bottom Hole:** Snap-lock:  $.187 \pm .003$  (4.75 ± 0.08)  
**Panel Thickness:**  $.031 - .078$  (0.79 - 1.98)

## LCBS-6

**Top Hole:** Snap-lock:  $.156 \pm .003$  (4.00 ± 0.08)  
**Panel Thickness:**  $.093$  (2.36)

**Fig. 5**



**Bottom Hole:** Snap-lock:  $.187 \pm .003$  (4.75 ± 0.08)  
**Panel Thickness:**  $.078 - .140$  (1.98 - 3.56)

LCBS (FIG 1)**		LCBS-2 (FIG 2)	LCBS-3 (FIG 3)	LCBS-5 (FIG 4)	LCBS-6 (FIG 5)	Standard Pack: 1,000 per bag	Metric Lengths	
Mat'l: Nylon 6/6, RMS-01 Color: Natural	Mat'l: Flame Ret. Nylon 6/6, RMS-19 Color: Natural	Mat'l: Nylon 6/6, RMS-01* Color: Natural	Mat'l: Nylon 6/6, RMS-01* Color: Natural	Mat'l: Nylon 6/6, RMS-01* Color: Natural	Mat'l: Nylon 6/6, RMS-01* Color: Natural	Standoff Height "A" ± .015 (0.4)	LCBS (FIG 1)	Standard Pack: 1,000 per bag
							Mat'l: Nylon 6/6, RMS-01* Color: Natural	Standoff Height: "A" ± 0.4mm
LCBS-3-01	LCBS-3-19	LCBS-2-3-01	LCBS-3-3-01	LCBS-5-3-01	LCBS-6-3-01	3/16 (4.8)	LCBS-6M-01	6.0mm
LCBS-4-01	LCBS-4-19	LCBS-2-4-01	LCBS-3-4-01	LCBS-5-4-01	LCBS-6-4-01	1/4 (6.4)	LCBS-8M-01	8.0mm
LCBS-5-01	LCBS-5-19	LCBS-2-5-01	LCBS-3-5-01	LCBS-5-5-01	LCBS-6-5-01	5/16 (7.9)	LCBS-10M-01	10.0mm
LCBS-6-01	LCBS-6-19	LCBS-2-6-01	LCBS-3-6-01	LCBS-5-6-01	LCBS-6-6-01	3/8 (9.5)	LCBS-12M-01	12.0mm
LCBS-7-01	LCBS-7-19	LCBS-2-7-01	LCBS-3-7-01	LCBS-5-7-01	LCBS-6-7-01	7/16 (11.1)	LCBS-14M-01	14.0mm
LCBS-8-01	LCBS-8-19	LCBS-2-8-01	LCBS-3-8-01	LCBS-5-8-01	LCBS-6-8-01	1/2 (12.7)	LCBS-16M-01	16.0mm
LCBS-10-01	LCBS-10-19	LCBS-2-10-01	LCBS-3-10-01	LCBS-5-10-01	LCBS-6-10-01	5/8 (15.9)	*Parts are available in UL94 V0 material To order, replace -01 with -19.	
LCBS-12-01	LCBS-12-19	LCBS-2-12-01	LCBS-3-12-01	LCBS-5-12-01	LCBS-6-12-01	3/4 (19.1)		
LCBS-14-01	LCBS-14-19	LCBS-2-14-01	LCBS-3-14-01	LCBS-5-14-01	LCBS-6-14-01	7/8 (22.2)		
LCBS-16-01	LCBS-16-19	LCBS-2-16-01	LCBS-3-16-01	LCBS-5-16-01	LCBS-6-16-01	1 (25.4)		
LCBS-18-01	LCBS-18-19	LCBS-2-18-01	LCBS-3-18-01	LCBS-5-18-01	LCBS-6-18-01	1-1/8 (28.6)		
LCBS-20-01	LCBS-20-19	LCBS-2-20-01	LCBS-3-20-01	LCBS-5-20-01	LCBS-6-20-01	1-1/4 (31.7)		
LCBS-22-01	LCBS-22-19	LCBS-2-22-01	LCBS-3-22-01	LCBS-5-22-01	LCBS-6-22-01	1-3/8 (34.9)		

\*\*Parts are available in UL94 V0 material. To order, replace -01 with -19.

\*\*Parts are available in a high temperature material for applications up to 200° C (392° F). To order replace -01/-19 with -HT.  
 See website or contact Richco for more information.