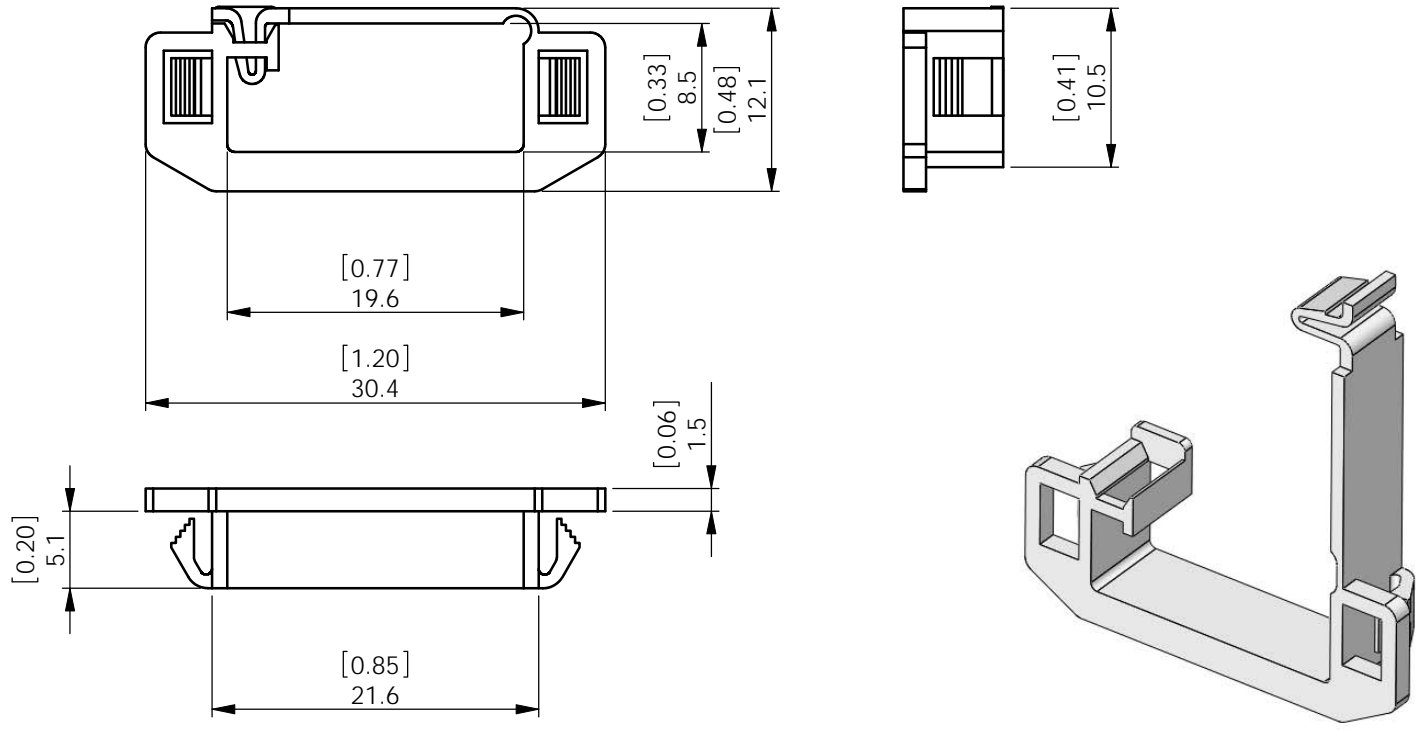
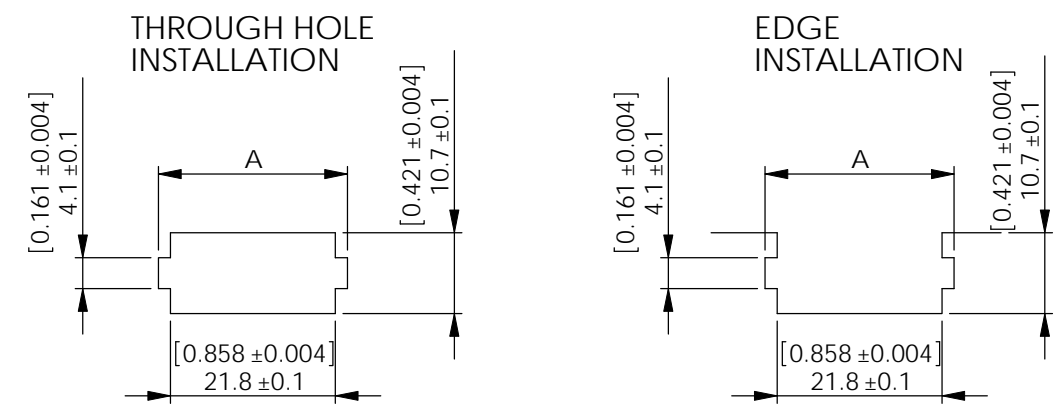


REV	MODIFICATION	DATE	DRN
01	PRODUCTION RELEASED	11/09/08	I.C
02	CO2010500	02/11/08	I.C
03	CO2010641	01/05/09	S.F



PANEL MOUNTING DETAILS



PANEL THICKNESS	'A'
0.8 - 1.6 [0.032 - 0.063]	25.0 ± 0.1 [0.984 ± 0.004]
2.0 [0.079]	26.0 ± 0.1 [1.023 ± 0.004]

ALSO AVAILABLE IN NYLON 6/6 UL94 V-0
TO ORDER REPLACE -01 WITH -19

INFORMATION CONTAINED IN THIS DOCUMENT IS CONFIDENTIAL TO RICHCO INTERNATIONAL Co. Ltd. AND MAY NOT BE DISCLOSED OR REPRODUCED IN WHOLE OR PART WITHOUT THEIR WRITTEN CONSENT.

ALL DIMENSIONS IN mm
GENERAL TOLERANCES ±0.25
UNLESS OTHERWISE STATED
1 DECIMAL PLACE ±0.25
2 DECIMAL PLACES ± 0.10
ANGULAR ±1°

THIRD ANGLE

MATERIAL: NYLON 6/6 UL94 V-2 (RMS-01) COLOUR: NATURAL

DESCRIPTION: HINGED EDGE WIRE SADDLE PART No: HEWSE-25-01

DRG No: 08-027 NPR No: DE08-0004 Mass:(g) 0.6 SHEET SIZE A4

DRN I.C DATE 19/03/08 CHKD S.F DATE 19/03/08 SCALE 2:1 SHEET No. 1 OF 1