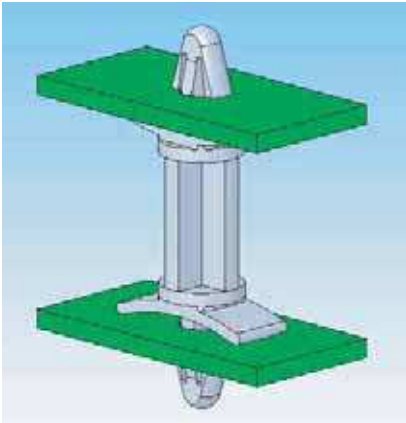


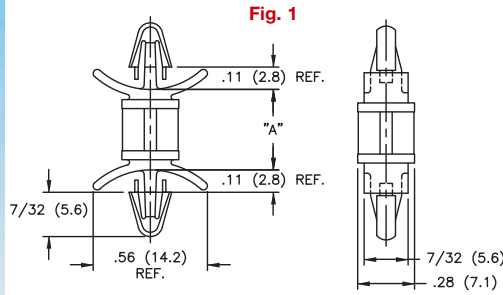
DLCBS

Dual Locking Circuit Board Support



DLCBS

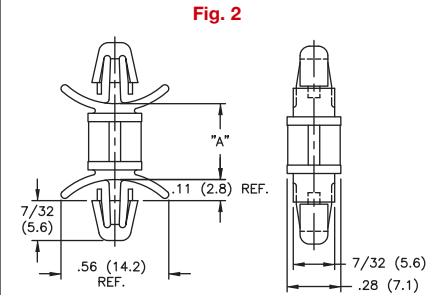
Top Hole: Snap-lock: $.156 \pm .003$ (4.00 ± 0.08)
Panel Thickness: $.031 - .078$ ($0.79 - 1.98$)



Bottom Hole: Snap-lock: $.156 \pm .003$ (4.00 ± 0.08)
Panel Thickness: $.031 - .078$ ($0.79 - 1.98$)

DLCBS-2

Top Hole: Snap-lock: $.187 \pm .003$ (4.75 ± 0.08)
Panel Thickness: $.031 - .078$ ($0.79 - 1.98$)



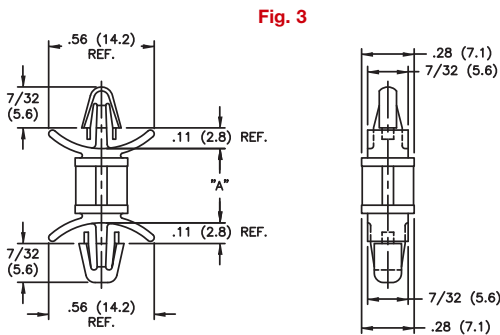
Bottom Hole: Snap-lock: $.187 \pm .003$ (4.75 ± 0.08)
Panel Thickness: $.031 - .078$ ($0.79 - 1.98$)

Features

- One piece design eliminates the need for screws, nuts and washers
- The tension wings on both ends of the supports provide a tight fit

DLCBS-3

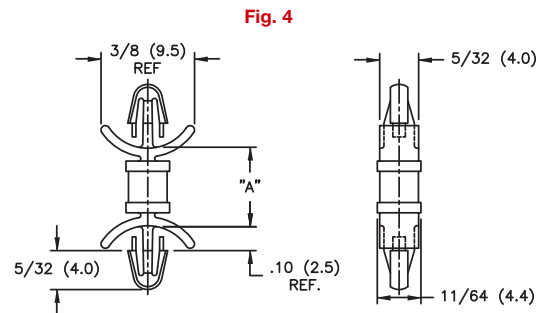
Top Hole: Snap-lock: $.156 \pm .003$ (4.00 ± 0.08)
Panel Thickness: $.031 - .078$ ($0.79 - 1.98$)



Bottom Hole: Snap-lock: $.187 \pm .003$ (4.75 ± 0.08)
Panel Thickness: $.031 - .078$ ($0.79 - 1.98$)

DLCBSM

Top Hole: Snap-lock: $.125 \pm .002$ (3.18 ± 0.05)
Panel Thickness: $.031 - .078$ ($0.79 - 1.98$)



Bottom Hole: Snap-lock: $.125 \pm .002$ (3.18 ± 0.05)
Panel Thickness: $.031 - .078$ ($0.79 - 1.98$)

DLCBS (FIG 1)		DLCBS-2 (FIG 2)	DLCBS-3 (FIG 3)	DLCBSM (FIG 4)	Standard Pack: 1,000 per bag
Mat'l: Nylon 6/6, RMS-01 Color: Natural	Mat'l: Flame Ret. Nylon 6/6, RMS-19 Color: Natural	Mat'l: Nylon 6/6, RMS-01* Color: Natural	Mat'l: Nylon 6/6, RMS-01* Color: Natural	Mat'l: Nylon 6/6, RMS-01* Color: Natural	Standoff Height "A" $\pm .015$ (0.4)
DLCBS-3-01	DLCBS-3-19	DLCBS2-3-01	DLCBS3-3-01	DLCBSM-3-01	3/16 (4.8)
DLCBS-4-01	DLCBS-4-19	DLCBS2-4-01	DLCBS3-4-01	DLCBSM-4-01	1/4 (6.4)
DLCBS-5-01	DLCBS-5-19	DLCBS2-5-01	DLCBS3-5-01	DLCBSM-5-01	5/16 (7.9)
DLCBS-6-01	DLCBS-6-19	DLCBS2-6-01	DLCBS3-6-01	DLCBSM-6-01	3/8 (9.5)
DLCBS-7-01	DLCBS-7-19	DLCBS2-7-01	DLCBS3-7-01	DLCBSM-7-01	7/16 (11.1)
DLCBS-8-01	DLCBS-8-19	DLCBS2-8-01	DLCBS3-8-01	DLCBSM-8-01	1/2 (12.7)
DLCBS-9-01	DLCBS-9-19	DLCBS2-9-01	DLCBS3-9-01	DLCBSM-9-01	9/16 (14.3)
DLCBS-10-01	DLCBS-10-19	DLCBS2-10-01	DLCBS3-10-01	DLCBSM-10-01	5/8 (15.9)
DLCBS-12-01	DLCBS-12-19	DLCBS2-12-01	DLCBS3-12-01	DLCBSM-12-01	3/4 (19.1)
DLCBS-14-01	DLCBS-14-19	DLCBS2-14-01	DLCBS3-14-01	DLCBSM-14-01	7/8 (22.2)

*Parts are available in UL94 V0 material. To order, replace -01 with -19.