

# RSA-3410-1

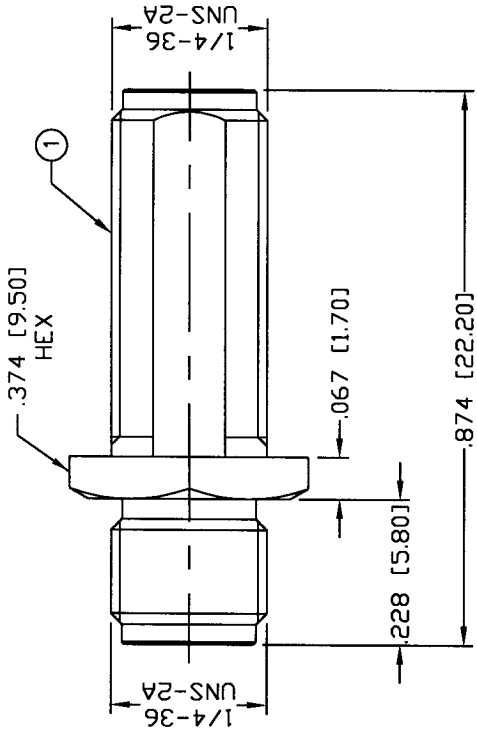
PART NO.

THIS DRAWING CONTAINS INFORMATION PROPRIETARY TO RF INDUSTRIES.  
 ANY UNAUTHORIZED USE OF THIS DRAWING IS EXPRESSLY PROHIBITED  
 WITHOUT WRITTEN PERMISSION FROM RF INDUSTRIES.  
 ANY VIOLATION IS PUNISHABLE UNDER U.S. COPYRIGHT LAWS.

ALL DIMENSIONS ARE REFERENCE ONLY

DESCRIPTION

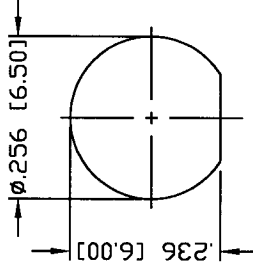
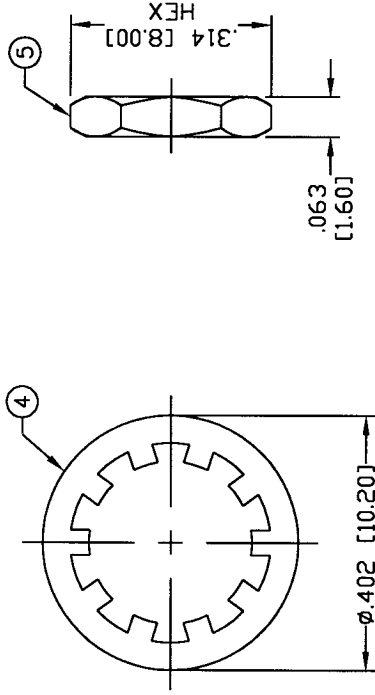
REV	DESCRIPTION	DWN	DATE	APPROVED
A	ENGINEERING RELEASE	WMD	1/5/94	R. RICE
B	P/N WAS RSA-3255-1 NOW RSA-3410-1 \ CHG ELEC SPECS	KMM	9/25/96	R. RICE
C	UPDATE CONNECOTR DIMENSIONS, DRAWING FORMAT & SPECS	CZS	2/26/03	JDMc



.251 [6.40] MAX. PANEL THICKNESS

### SPECIFICATIONS:

IMPEDANCE: 50 Ohms  
 FREQUENCY RANGE: 0-12.4 GHz  
 WORKING VOLTAGE: 375 V rms Max. @ Sea Level  
 INSULATION RESISTANCE: 5k M Ohms min.  
 TEMPERATURE RANGE: -65°C TO 165°C



### RECOMMENDED MOUNTING CONFIGURATION

#	DESCRIPTION	QTY	MATERIAL	FINISH
1	BODY	1	BRASS	GOLD, 3μ
2	INSULATOR	2	PTFE	---
3	CONTACT	1	Be.Cu.	GOLD, 50μ
4	LOCK WASHER	1	BRASS	GOLD, 3μ
5	HEX NUT	1	BRASS	GOLD, 3μ
6				
7				
8				
9				
10				
11				
12				
13				
14				

008974

UNLESS OTHERWISE SPECIFIED:  
 1. REMOVE ALL BURRS  
 2. BREAK ALL CORNERS & EDGES .005 R. MAX.  
 3. CHAMFER 1ST & LAST THREADS 45°  
 4. SURFACE ROUGHNESS 63 FINISH MIL-STD-10  
 5. DIAMETERS ON COMMON CENTERS TO BE CONCENTRIC WITHIN .002 T.I.R.  
 6. ALL DIMENSIONS ARE AFTER PLATING.

DIMENSIONS ARE IN INCHES AND [MILLIMETERS]  
 UNLESS OTHERWISE NOTED TOLERANCES ARE:  
 DECIMALS .XXX±.003 [.08]  
 .XX±.005 [.13]  
 DIAMETER .XXX±.001 [.03]  
 .XX±.003 [.08]

DRAWN	2/26/03	DATE
C. ZUNIGA		
CHECKED	7:26:03	
ORJ DRAWN		
W. DANIELS	1/5/94	DATE
APPROVALS		

7610 MIRAMAR RD  
 SAN DIEGO, CA 92126  
 (858) 549-6340  
 (858) 549-6345 FAX

**RF connectors**  
 DIVISION OF RF INDUSTRIES, LTD.

## SMA JACK TO JACK BULKHEAD

SIZE	CABLE GROUP	DWG NO.	REV
A	N/A	RSA-3410-1	C
SCALE:	NTS	CAD FILE	OUTLINE
			SHEET 1 OF 1